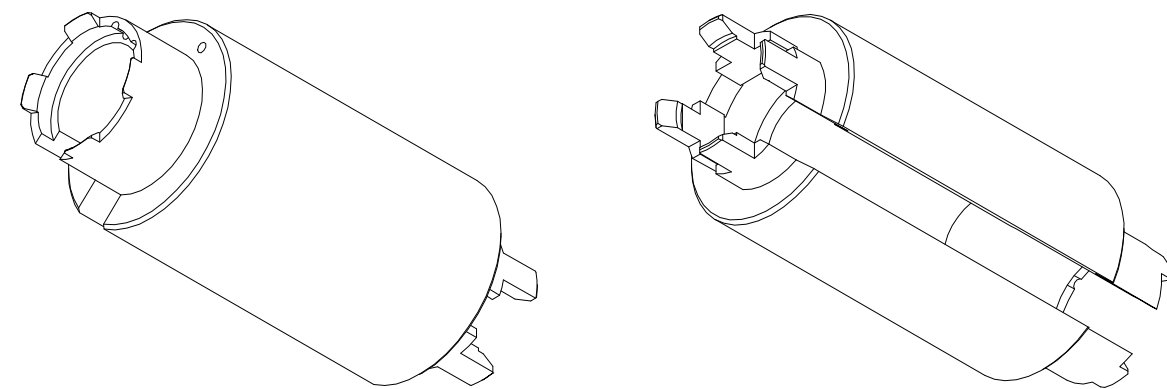
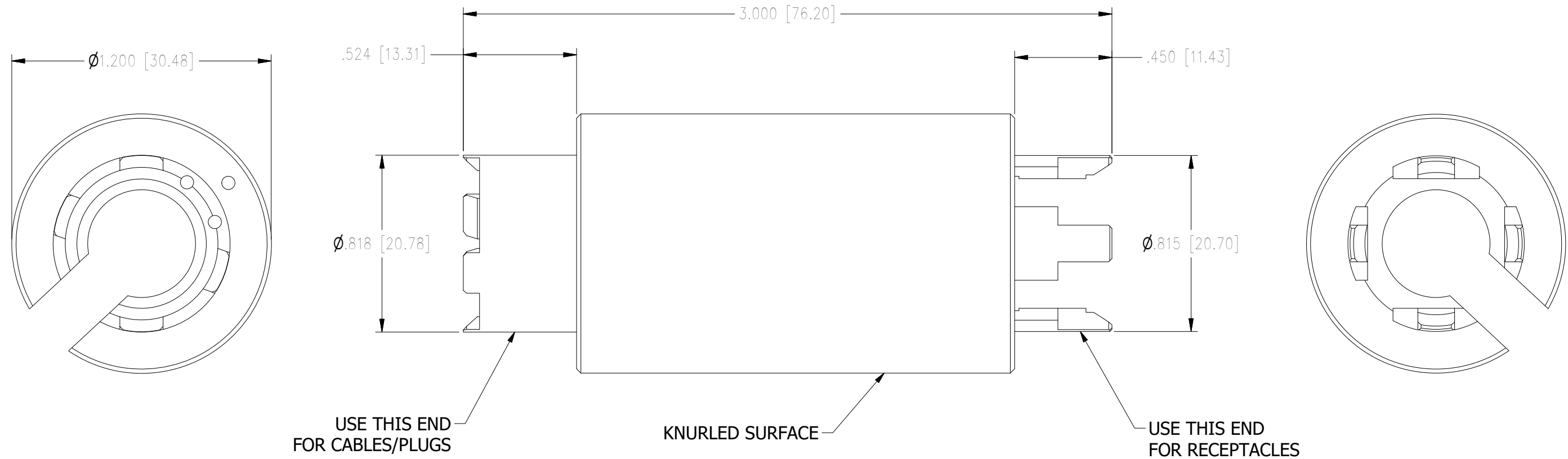


DATE	REV	ECN	APP'D. BY
2/24/2020	A0	-	TLS



ISOMETRIC VIEWS

NOTES:
 1. MATERIAL: STAINLESS STEEL
 APPROXIMATE WEIGHT: 0.5 POUNDS [230 GRAMS]

2940262-01
PART NUMBER



CT Jack

THIRD ANGLE PROJECTION 	 stewart CONNECTOR a bel group	11118 Susquehanna Trail South Glen Rock, PA 17327-9199 (717) 235-7512 http://www.stewartconnector.com
DO NOT SCALE DRAWING DRAWING IS SUBJECT TO CHANGE WITHOUT NOTICE	TITLE: INSERT REMOVAL TOOL, RJ45 38999 SERIES	
DIMENSIONS: INCHES [METRIC] UNLESS OTHERWISE SPECIFIED TOLERANCES ARE $\pm .005$ [0.13] ANGLES ARE $\pm 1^\circ$	THIS DRAWING AND THE SUBJECT MATTER SHOWN THEREON ARE CONFIDENTIAL AND THE PROPRIETARY PROPERTY OF STEWART CONNECTOR AND SHALL NOT BE REPRODUCED, COPIED, OR USED IN ANY MANNER WITHOUT PRIOR WRITTEN CONSENT OF STEWART CONNECTOR. ONE OR MORE U.S. PATENTS MAY APPLY TO THIS PRODUCT. FOR DETAILS, PLEASE VISIT: HTTP://BELFUSE.COM/STEWART/STEWART_PATENTS/	DRN BY: A. BAUM DATE: 2/24/2020
SHEET NO. 1 OF 1		DATE: 2/24/2020 REV. A0

Inventor