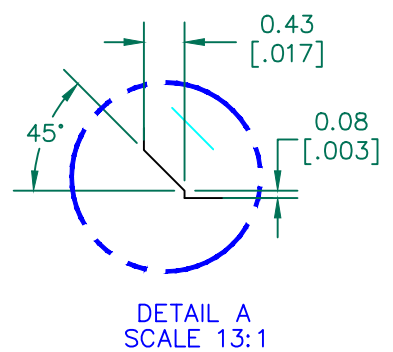
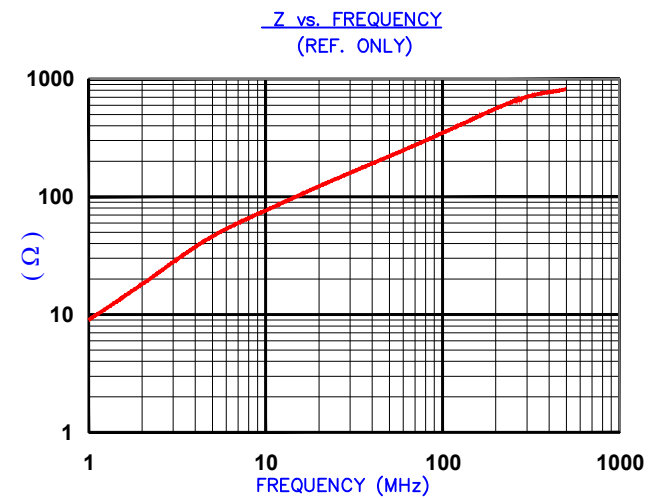
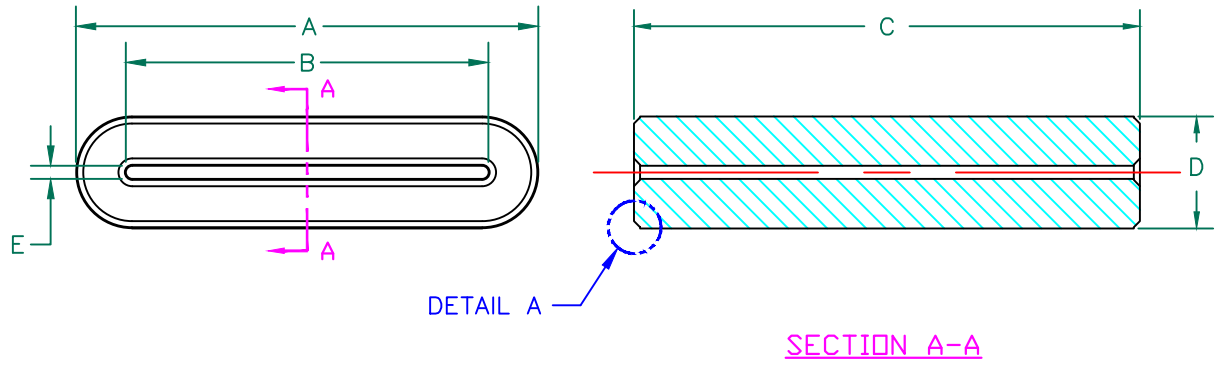


IMPEDANCE ( Z )			
Frequency	25 MHz	100 MHz	300 MHz
Nominal (REF)	140 Ω	350 Ω	700 Ω
Minimum	- Ω	280 Ω	- Ω

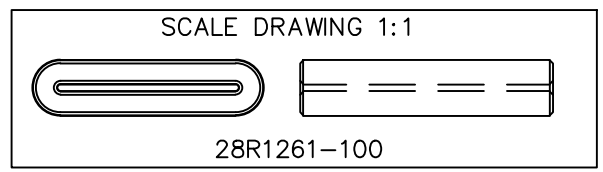


**FERRITE CORE DIMENSIONS (SPEC):**

A	32.00 [1.260]	±	0.64 [.025]
		+	0.50 [.020]
B	25.10 [.988]	-	0.40 [.016]
C	35.00 [1.378]	±	1.05 [.041]
D	7.75 [.305]	±	0.50 [.020]
		+	0.50 [.020]
E	0.90 [.035]	-	0.30 [.012]

WEIGHT/1000 36.69 kgs [80.89 Lbs]

NOTES: UNLESS OTHERWISE SPECIFIED.  
1. COSMETIC SPECIFICATION REFER TO WI-QA-038.



DIMENSIONS ARE IN mm[INCHES].				This print is the property of Laird Tech. and is loaned in confidence subject to return upon request and with the understanding that no copies shall be made without the written consent of Laird Tech. All rights to design or invention are reserved.				
REV	DESCRIPTION	DATE	INT					
F	UPDATE THE LOGO	06/19/15	QIU	PROJECT/PART NUMBER:		REV	PART TYPE:	DRAWN BY:
E	UPDATE Z SPECS AND COMPANY LOGO	03/04/02	JRK	28R1261-100		F	FERRITE RIBBON CORE	TMB
D	CHANGE 100 MHZ MIN IMPEDANCE SPEC	06/14/00	TMB	DATE:	12/05/03	SCALE:	2 : 1	MATERIAL:
C	REVISE Z SPEC FORMAT	01/19/98	TMB	CAD #	28R1261-100-F	TOOL #	R1261	FERRITE
B	UPDATE Z SPECS,CURVE,TEST REF NUMBER	04/16/97	TMB					
A	ORIGINAL DRAFT	08/03/92	TMB					
REV	DESCRIPTION	DATE	INT					