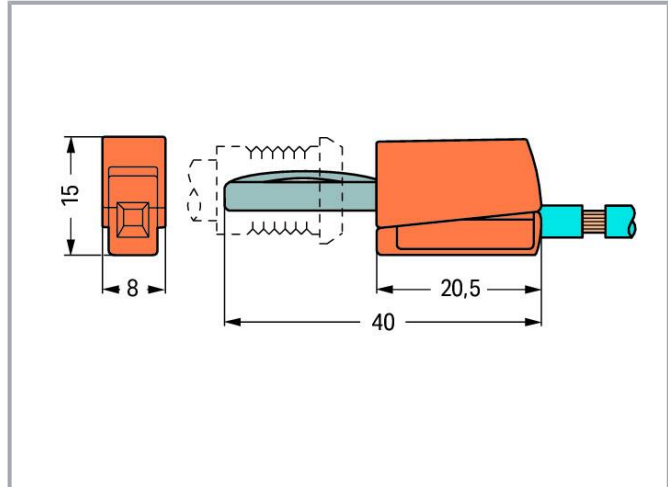
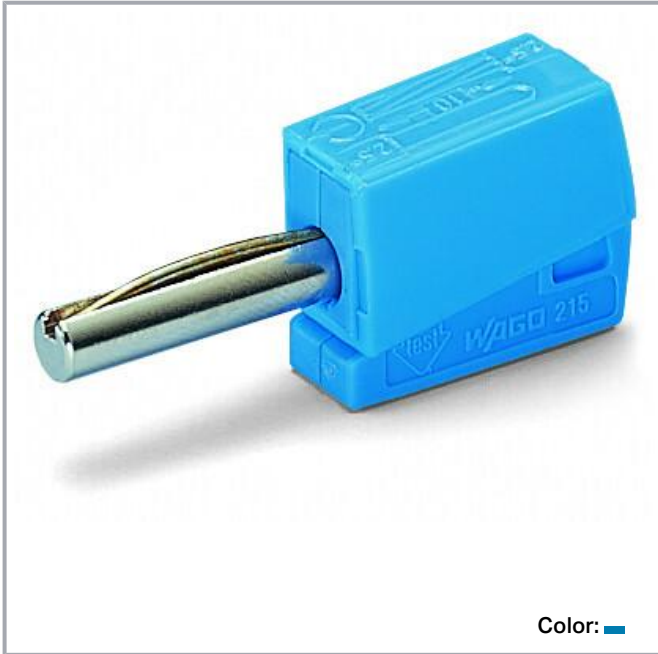


Data sheet | Item number: 215-711

Banana plug; for socket 4 mm Ø; 2,50 mm²; blue

www.wago.com/215-711



Data

Technical data

Main product function	Testing accessories
Total number of potentials	1

Electrical data

Rated current	20 A
Test voltage	42 V

Connection data

Connection technology	CAGE CLAMP®
Strip length	9 ... 11 mm / 0.35 ... 0.43 inches
Connection points	1
Solid conductor	0.08 ... 2.5 mm ² / 28 ... 14 AWG
Fine-stranded conductor	0.08 ... 2.5 mm ² / 28 ... 14 AWG

Subject to changes. Please also observe the further product documentation!

WAGO GmbH & Co. KG
Hansastr. 27
32423 Minden
Phone: +49571 887-0 | Fax: +49571 887-169
Email: info.de@wago.com | Web: www.wago.com

Do you have any questions about our products?
We are always happy to take your call at +49 (571) 887-44222.



Physical data

Width	8 mm / 0.315 inches
Height	15 mm / 0.591 inches
Depth	40 mm / 1.575 inches

Material Data

Color	blue
Fire load	0.041 MJ
Weight	3.9 g

Commercial data

Product Group	2 (Terminal Block Accessories)
eCl@ss 10.0	27-44-03-13
eCl@ss 9.0	27-44-03-13
ETIM 8.0	EC002255
ETIM 7.0	EC002255
PU (SPU)	50 pcs
Packaging type	box
Country of origin	DE
GTIN	4045454293543
Customs tariff number	85366990990

Environmental Product Compliance

CAS-No.	7439-92-1
REACH Candidate List Substance	Lead
RoHS Compliance Status	Compliant,With Exemption
RoHS Exemption	6(c) 7(a) 7(c)-I 7(c)-II
SCIP notification number (Austria)	1ecbde35-8825-43f2-8e8b-59c1e34f2a7f
SCIP notification number (Belgium)	33a90f91-ea19-426b-bb95-ca529ebbf94d
SCIP notification number (Bulgaria)	4d9109b3-588d-404f-8106-1d8d936c2cda
SCIP notification number (Czech Republic)	9985d714-15f2-44bc-8c2c-60e62fee7c8c
SCIP notification number (Denmark)	bf030958-771b-44a5-955e-453bb5abca57
SCIP notification number (Finland)	37de552f-a4b4-46c9-8296-66ab2a2993a9

Subject to changes. Please also observe the further product documentation!

WAGO GmbH & Co. KG
 Hansastr. 27
 32423 Minden
 Phone: +49571 887-0 | Fax: +49571 887-169
 Email: info.de@wago.com | Web: www.wago.com

Do you have any questions about our products?
 We are always happy to take your call at +49 (571) 887-44222.



SCIP notification number (France)	3c964e3c-b453-45dd-9b48-7ee4f51eeae
SCIP notification number (Germany)	32febfc8-134f-405e-b6a4-03cce448ffcd
SCIP notification number (Hungary)	a99436a2-459b-4541-90d7-ab2c6d04eb1e
SCIP notification number (Italy)	faa4f284-2ad1-4da6-9a91-f0be85d01085
SCIP notification number (Netherlands)	107e8d13-4295-4fa9-9d69-70428213468c
SCIP notification number (Poland)	1bf22c88-f98b-427b-a17e-11703684fe21
SCIP notification number (Romania)	e1f74ece-de9a-4297-aeed-4e9ac47b3756
SCIP notification number (Sweden)	6bb5e7f0-ecad-45dd-83f5-6ceff369c94a

Downloads

Documentation

Bid Text

215-711 X81 - Datei	2019 Feb 19	xml 3.1 kB	Download
215-711 doc - Datei	2017 Sep 19	doc 25.6 kB	Download

CAD/CAE-Data

CAE data

EPLAN Data Portal 215-711	URL	Download
WSCAD Universe 215-711	URL	Download

Environmental Product Compliance

Compliance Search

Environmental Product Compliance 215-711 Banana plug; for socket 4 mm Ø; 2,50 mm ² ; blue	URL	Download
---	-----	----------

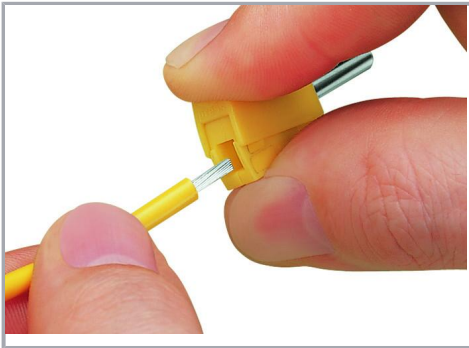
Installation Notes

Conductor termination

Subject to changes. Please also observe the further product documentation!

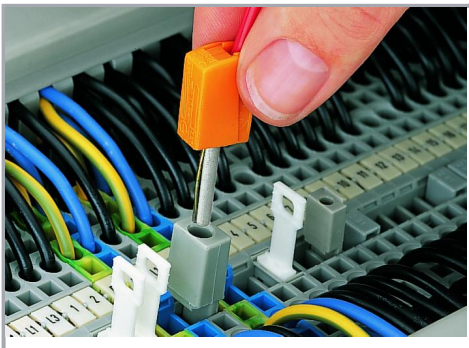
WAGO GmbH & Co. KG
 Hansastr. 27
 32423 Minden
 Phone: +49571 887-0 | Fax: +49571 887-169
 Email: info.de@wago.com | Web: www.wago.com

Do you have any questions about our products?
 We are always happy to take your call at +49 (571) 887-44222.



Conductor termination: Press button fully, insert stripped conductor into square entry and release.

Testing



Testing via banana plug.

Picture shows a test plug adapter (209-170).

Subject to changes. Please also observe the further product documentation!