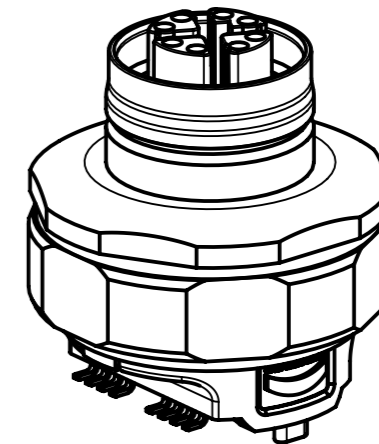
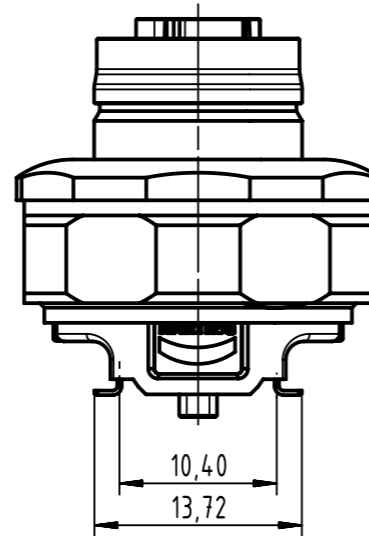
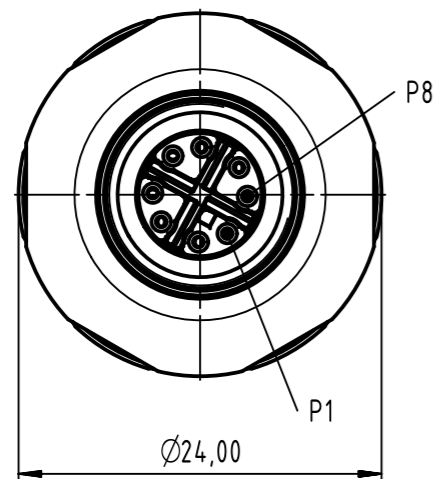


mating face based on
IEC 61076-2-109



1 PC Packaging
 Content: 1 x 21033812823
 M12 transformer straight X-coded 10G BASE-T
 1 x 21033012006
 Front mounting kits
 Further information see data sheet: 21033810103

	All rights reserved Department EL PD	All Dimensions in mm Original Size DIN A3		Scale 2:1	Free size tol.	Ref. Sub.
		Created by ZHUANGJ	Inspected by ZENGDO	Standardisation SCHREIER	Date 2020-08-27	State Final Release
HARTING Electronics GmbH D-32339 Espelkamp		Title M12 WITH MAGNETICS X-CODED STRAIGHT POE+ 10GB			Doc-Key / ECM-Nr. 100684225/UGD/004/C 500000178726	
		Type TB	Number 21033812825		Rev. C	Page 1/1