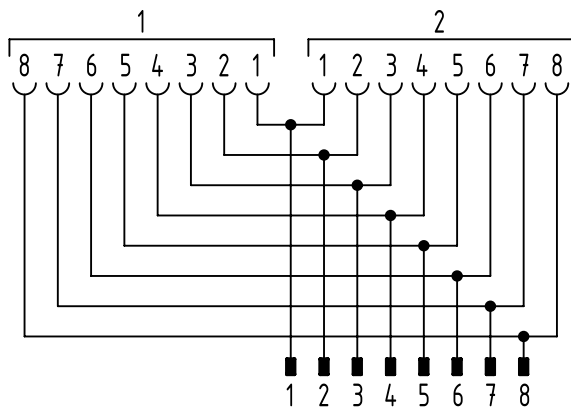


pin assignment



	All rights reserved Department EC PD - DE	All Dimensions in mm Original Size DIN A4		Scale 2:1	Free size tol.	Ref.
		HARTING Electronics GmbH D-32339 Espelkamp	Created by HASSE	Inspected by EISFELD	Standardisation HOFFMANN	Date 2016-07-21
Title M12-ADPT-M12/M12-8/8P-ACOD-M/F/F-STR						Doc-Key / ECM-Nr. 100679670/UGD/000/A 500000106353
Type TB				Number 21033116801		Rev. A
						Page 1/1