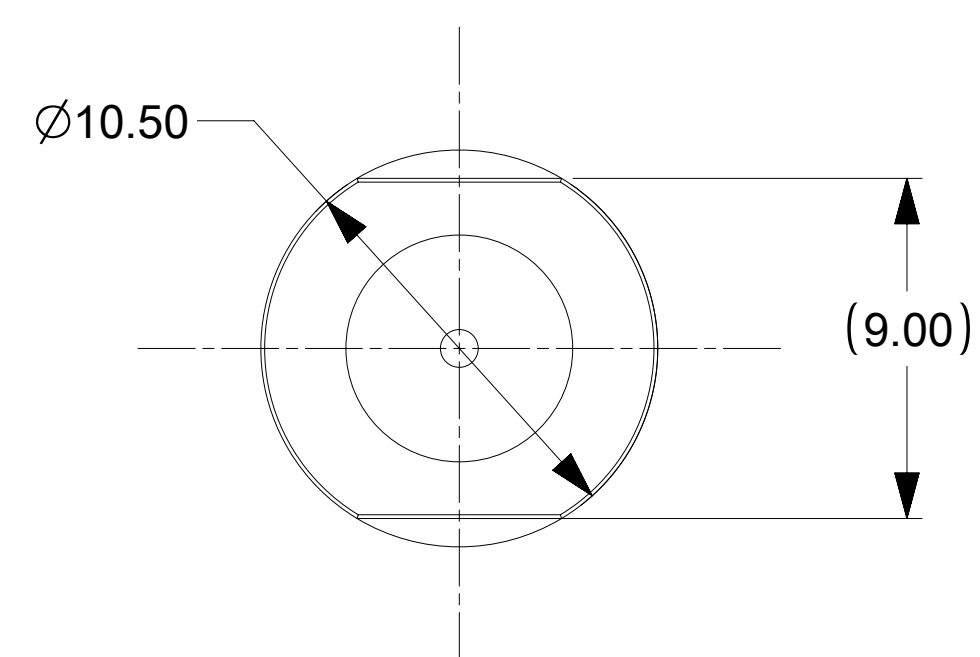
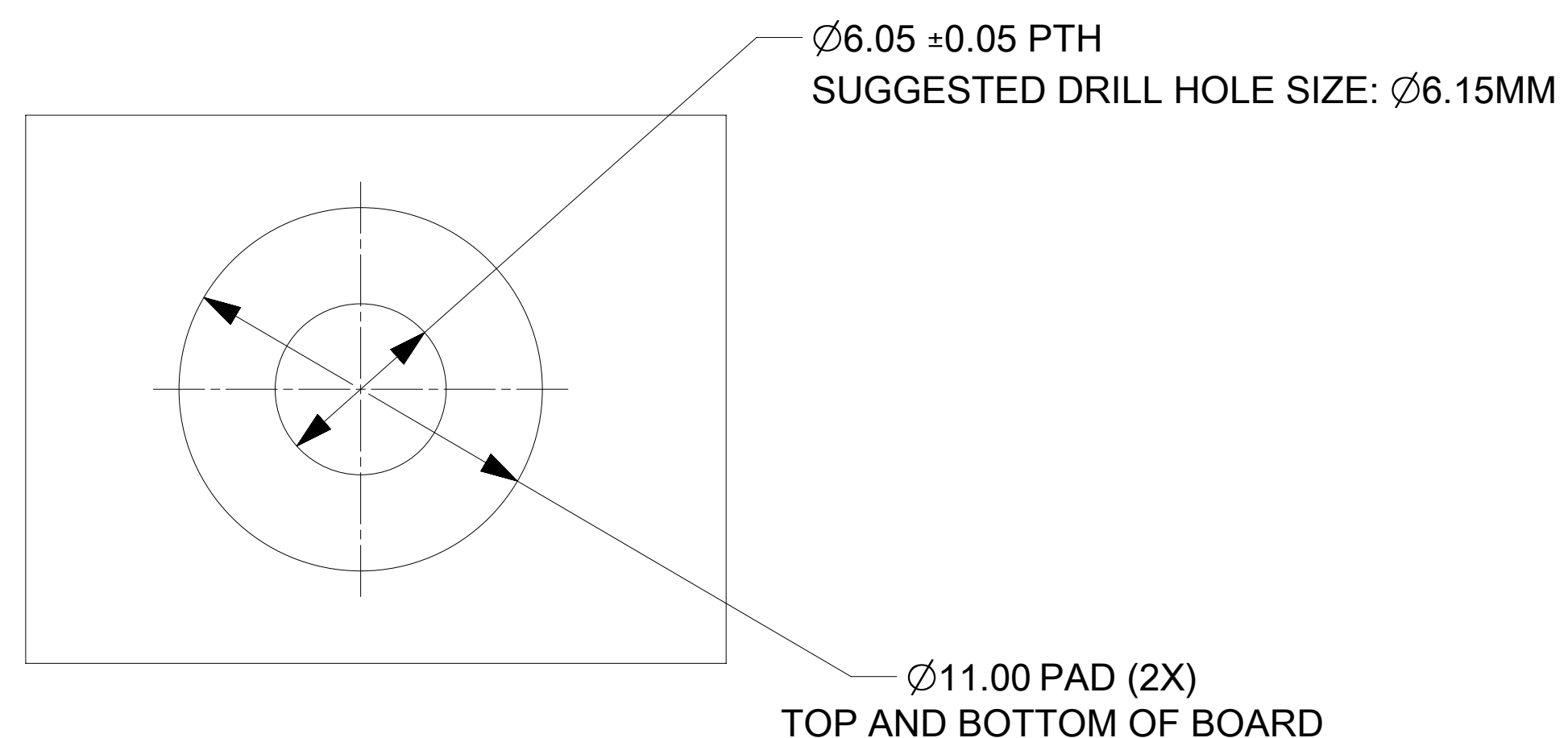


| PART NUMBER | DIMENSION "L" |
|-------------|---------------|
| 203263-6085 | 18.52 |
| 203263-6185 | 25.52 |
| 203263-6285 | 20.92 |
| 203263-6385 | 30.92 |
| 203263-6485 | 29.42 |
| 203263-6585 | 23.77 |
| 203263-6685 | 40.00 |
| 203263-6785 | 51.52 |
| 203263-6885 | 45.50 |
| 203263-6985 | 14.02 |
| 203263-8085 | 16.00 |
| 203263-8185 | 20.00 |
| 203263-8285 | 26.00 |
| 203263-8485 | 36.00 |
| 203263-8585 | 48.00 |
| 203263-8385 | 92.10 |

SECTION A-A



NOTES:

- MATERIALS:
BASE METAL: HIGH CONDUCTIVE COPPER ALLOY
PLATING ON BODY: 3.18 MICRON MIN SILVER OVER 1.27 MICRON MIN NICKEL
- PRODUCT SPECIFICATION: 2043130006-PS
- APPLICATION SPECIFICATION: 2043130006-AS
- PARTS TO BE PACKAGED AS PER PACKAGING SPECIFICATION: 2032630006-PK
- SILVER COMPONENTS WILL BE SUPPLIED TARNISH FREE BUT MAY TARNISH OVER TIME.
- PART MOUNTED WITH CONDUCTIVE M4 SCREW AND CONDUCTIVE BELLEVILLE WASHER FOR OPTIMAL PERFORMANCE
- SCREW LENGTH TO BE DETERMINED BY CUSTOMER, SCREWS AND WASHERS ARE NOT SUPPLIED BY MOLEX.

RECOMMENDED PCB OR BUSBAR LAYOUT

| | | | | | | | | | | | |
|---|--|------------|--|---------------------------------|--|---------------|--|--------------------------|--|---|--|
| THIS DRAWING CONTAINS INFORMATION THAT IS PROPRIETARY TO MOLEX ELECTRONIC TECHNOLOGIES, LLC AND SHOULD NOT BE USED WITHOUT WRITTEN PERMISSION | | | | | | | | | | | |
| DIMENSION UNITS: mm | | SCALE: 5:1 | | CURRENT REV DESC: UPDATED NOTES | | | | | | molex | |
| GENERAL TOLERANCES (UNLESS SPECIFIED) | | | | EC NO: 748054 | | | | | | | |
| ANGULAR TOL ± 0.5° | | | | 4 PLACES ± | | DRWN: SUVARS | | 2023/02/07 | | SENTRALITY 6.00MM MALE TERMINAL SCREW MOUNT | |
| 3 PLACES ± | | | | CHK'D: SUVARS | | 2023/05/08 | | | | | |
| 2 PLACES ± 0.15 | | | | APPR: HTHYAGARAJ | | 2023/05/22 | | PRODUCT CUSTOMER DRAWING | | | |
| 1 PLACE ± 0.25 | | | | INITIAL REVISION: | | DRWN: JJONIAK | | 2018/10/10 | | DOCUMENT NUMBER | |
| 0 PLACES ± | | | | APPR: BPISZCZOR | | 2019/03/22 | | 2032636185-SD | | DOC TYPE DOC PART REVISION | |
| DRAFT WHERE APPLICABLE MUST REMAIN WITHIN DIMENSIONS | | | | THIRD ANGLE PROJECTION | | DRAWING | | SERIES | | MATERIAL NUMBER CUSTOMER SHEET NUMBER | |
| | | | | D-SIZE | | 203263 | | SEE TABLE | | GENERAL MARKET 1 OF 1 | |