

## Flush-type connector - SACC-DSI-FS-12CON-L180 SCO SH - 1436770


Please be informed that the data shown in this PDF Document is generated from our Online Catalog. Please find the complete data in the user's documentation. Our General Terms of Use for Downloads are valid (<http://download.phoenixcontact.com>)



Sensor/actuator flush-type connector, socket, 12-pos., M12 SPEEDCON, shielded, A-coded, rear/screw mounting with Pg9 thread, with straight solder pins



### Key commercial data

Packing unit	1 PCE
Catalog page	Page 47 (PC-2011)
GTIN	 4 046356 438780
Custom tariff number	85366990
Country of origin	GERMANY

### Technical data

#### General data

Rated current at 40°C	1.5 A
Rated voltage	30 V
Number of positions	12
Volume resistance	≤ 3 mΩ
Insulation resistance	≥ 100 MΩ
Ambient temperature (operation)	-25 °C ... 85 °C (Plug / socket)

#### General characteristics

Standards/regulations	M12 plug-in connector IEC 61076-2-101
Coding	A - standard
Surge voltage category	II
Pollution degree	3
Degree of protection	IP67

# Flush-type connector - SACC-DSI-FS-12CON-L180 SCO SH - 1436770

## Technical data

### General characteristics

Contact material	CuZn
Contact surface material	Au
Contact carrier material	PA 66
Material, knurls	Zinc die-cast, nickel-plated
Sealing material	NBR
Mounting type	Rear mounting Pg9 With flat nut
Connection method	Solder pins
Length of the solder contacts	6 mm
Status display	No

## Classifications

### ETIM

ETIM 3.0	EC002061
ETIM 4.0	EC002061
ETIM 5.0	EC002061

### UNSPSC

UNSPSC 11	31251501
UNSPSC 12.01	31251501
UNSPSC 13.2	31251501
UNSPSC 6.01	31251501
UNSPSC 7.0901	31251501

### eCl@ss

eCl@ss 4.0	27250313
eCl@ss 4.1	27250313
eCl@ss 5.0	27143423
eCl@ss 5.1	27143423
eCl@ss 6.0	27143423
eCl@ss 7.0	27449001

## Approvals

### Approvals

---

Approvals

UL Recognized

# Flush-type connector - SACC-DSI-FS-12CON-L180 SCO SH - 1436770

## Approvals

Ex Approvals

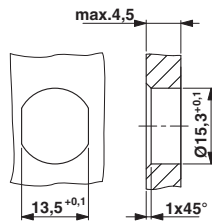
Approvals submitted

## Approval details

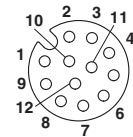
UL Recognized	
mm <sup>2</sup> /AWG/kcmil	26-2
Nominal current I <sub>N</sub>	1.5 A
Nominal voltage U <sub>N</sub>	30 V

## Drawings

Dimensioned drawing



Schematic diagram

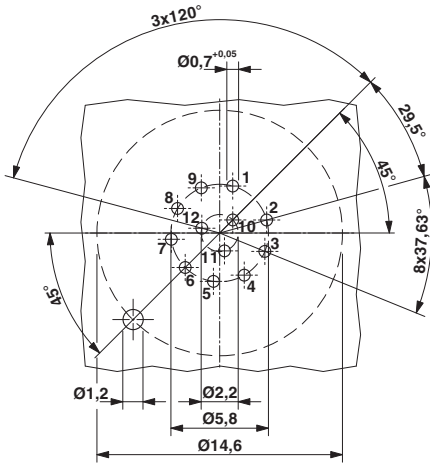


Pin assignment M12, 12-pos., female side view

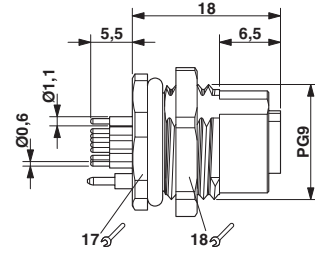
Mounting cutout with polarization for Pg9 thread

# Flush-type connector - SACC-DSI-FS-12CON-L180 SCO SH - 1436770

Drilling diagram

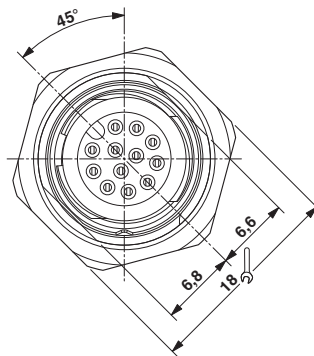


Dimensioned drawing



M12 flush-type connector

Dimensioned drawing



M12 front view