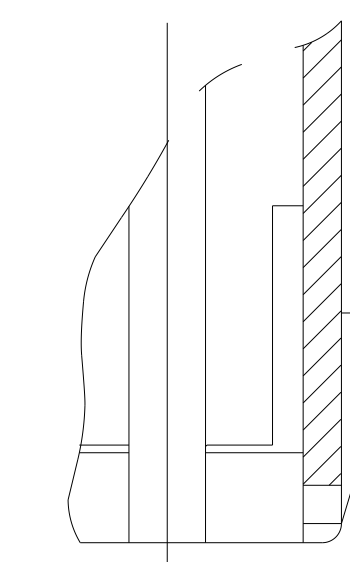
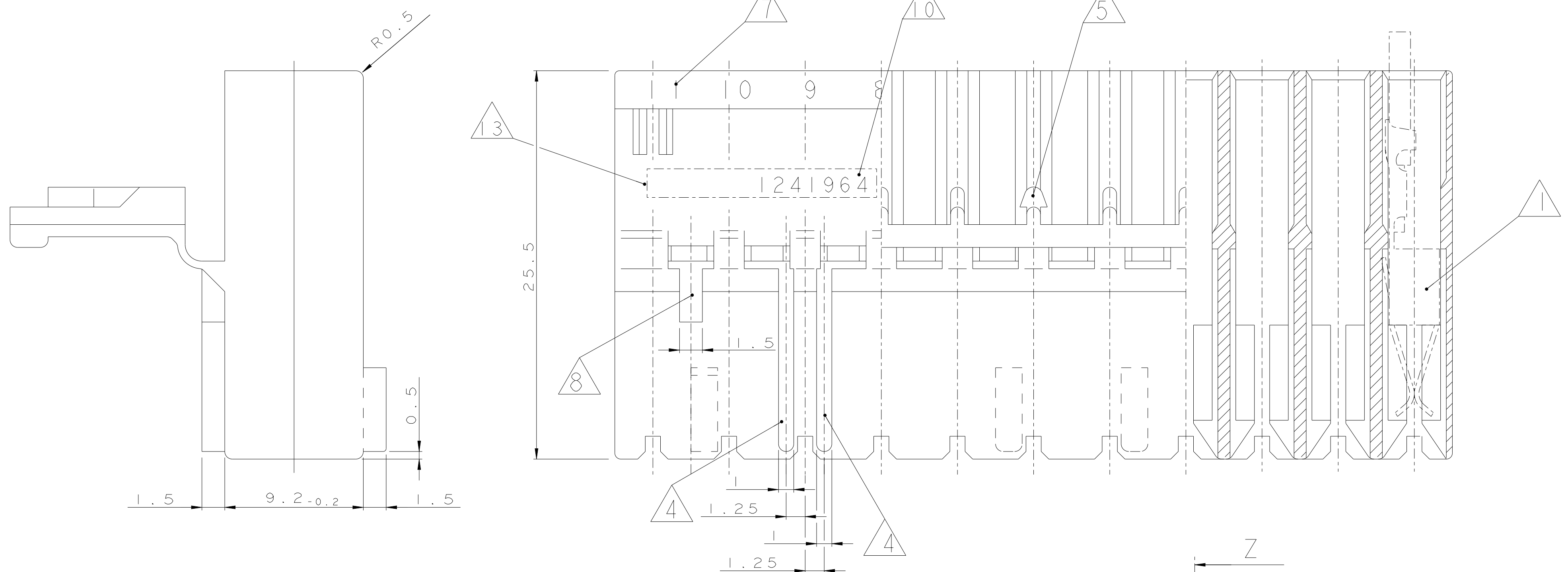
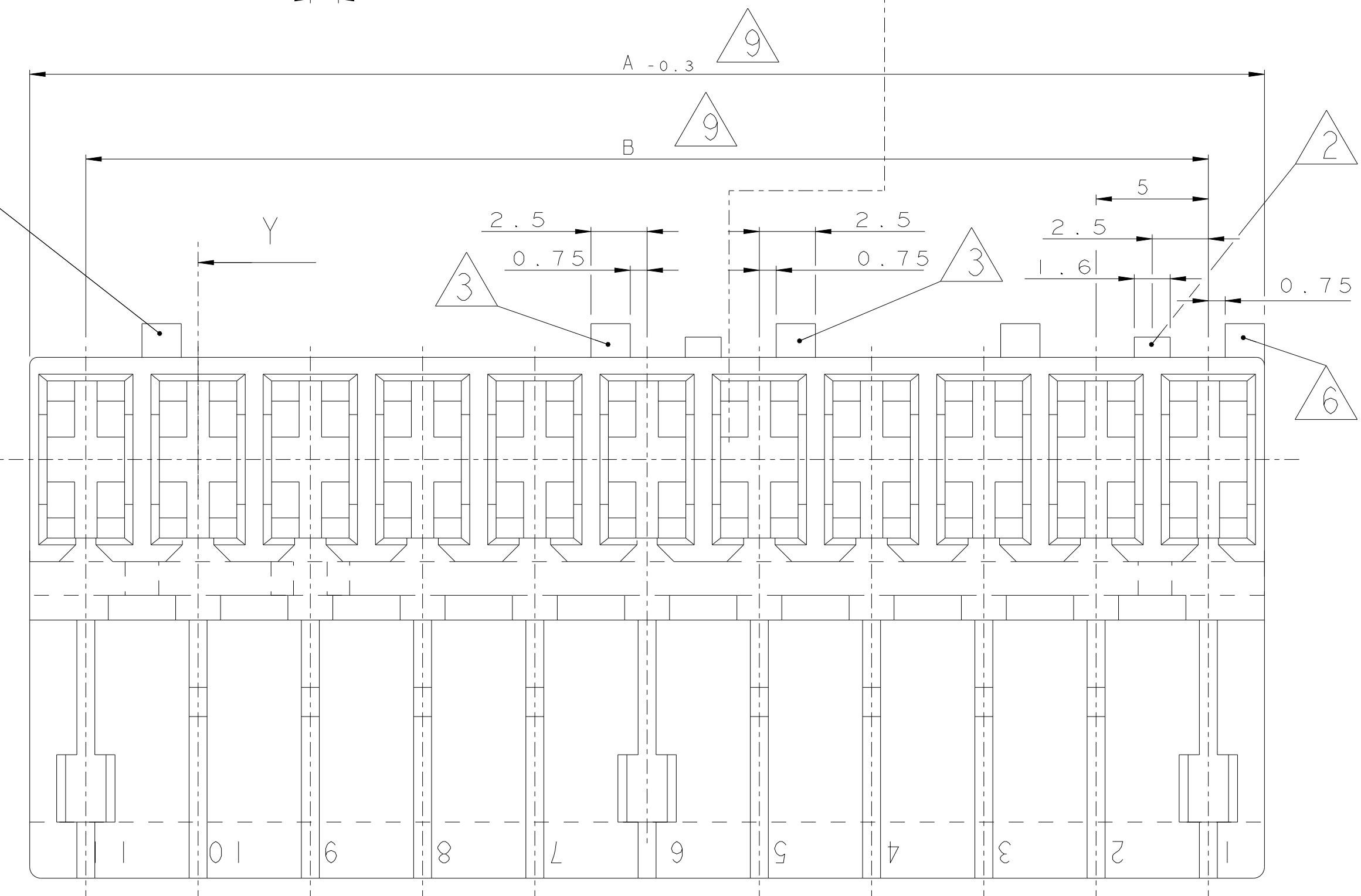


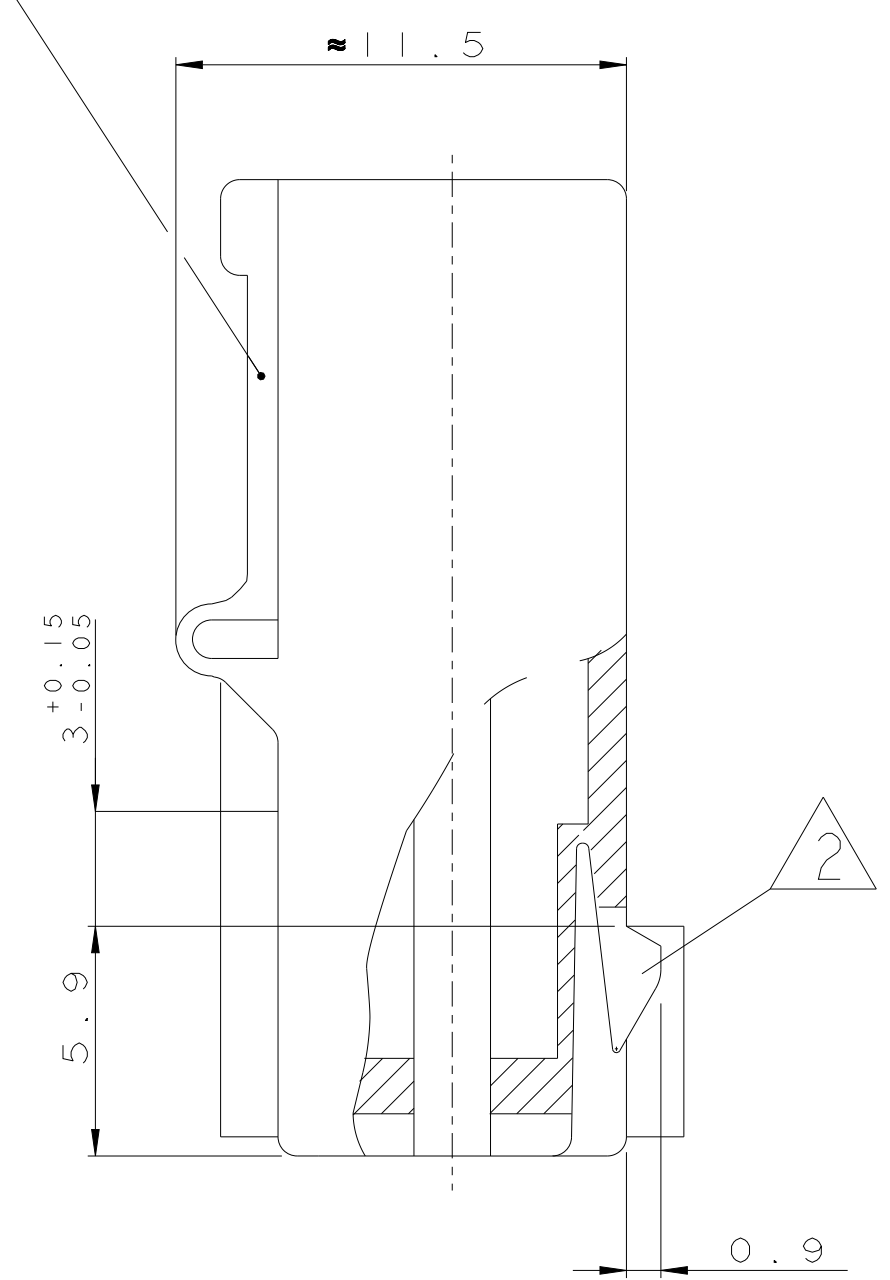
| REVISIONS | | | | |
|-----------|-------------|---------------|----|------|
| REV | DATE | DESCRIPTION | BY | APPV |
| A20 | 08 JUN 2022 | ECR-22-141752 | PJ | FL |
| A21 | 23 JUN 2022 | ECR-22-143367 | TL | FL |
| A22 | 25 MAY 2023 | ECR-23-174540 | SM | FL |



Ansicht "Y"
VIEW "Y"



Deckel geschlossen gezeichnet
COVER DRAWN CLOSED



Ansicht "Z"
VIEW "Z"

- Bemerkungen
NOTES
- 1 Kammer geeignet für AMP Timer-Kontakte: PN 926965
CAVITY SUITABLE TO AMP TIMER-CONTACTS: PN 926973
PN 926005
PN 926006
PN 927833
PN 927837
 - 2 Rasthaken zwischen Kammer Nr. ... (siehe Blatt 2 von 2)
LOCKING LATCH BETWEEN CAVITY NO. ... (SEE SHEET 2 OF 2)
 - 3 Kodierrippen nach unten (Lage "c") oder oben (Lage "d")
versetzt, bei Kammer Nr. ... (siehe Blatt 2 von 2)
KEYING RIB POSITION "c" OR POSITION "d",
AT CAVITY NO. ... (SEE SHEET 2 OF 2)
 - 4 Polarisierungsrippen durchgehend bis Scharnier, nach unten (Lage "a")
oder oben (Lage "b") versetzt, bei Kammer Nr. ... (siehe Blatt 2 von 2)
POLARIZATION RIB GO THROUGH TO HINGE, POSITION "a" OR
"b", AT CAVITY NO. ... (SEE SHEET 2 OF 2)
 - 5 Verriegelung für Deckel bei Kammer Nr. ... (siehe Blatt 2 von 2)
LOCKING DEVICE FOR COVER AT CAVITY NO. ... (SEE SHEET 2 OF 2)
 - 6 Kodierrippen bei erster Kammer, Lage "c", und letzter Kammer, Lage "d",
bündig mit Gehäuseaußenkante
KEYING RIBS AT THE FIRST CAVITY, POSITION "c", AND THE LAST CAVITY, POSITION "d",
FLUSH TO THE EDGE OF THE CONNECTOR
 - 7 Kammernummer
CAVITY NUMBER
 - 8 Tiefenanschlag zwischen Kammer Nr. 1 und 2, ebenfalls
zwischen der letzten und vorletzten Kammer
MATING STOP BETWEEN CAVITY NO. 1 AND 2, ALSO
BETWEEN THE LAST AND THE LAST BUT ONE CAVITY
 - 9 Maß A und Maß B siehe Blatt 2 von 2
DIMENSION A AND DIMENSION B SEE SHEET 2 OF 2
 - 10 TE Part Number (OPTIONAL)
 - 11 Angeschwägte Kodierrippen nach unten (Lage "c") oder oben (Lage "d")
versetzt, bei Kammer Nr. ... (siehe Blatt 2 von 2)
SWAGED KEYING RIB POSITION "c" OR POSITION "d",
AT CAVITY NO. ... (SEE SHEET 2 OF 2)
 - 12 Material entspricht den Anforderungen der EN 60335 (incl. glow wire test
750°C, ohne Flamme)
MATERIAL CORRESPONDS TO REQUIREMENT EN 60335 (INCL. GLOW WIRE TEST 750°C,
NO FLAME)
 - 13 AREA FOR TYCO ELECTRONICS LOGO ACC. TO SPEC. 202-36
Bereich für TYCO ELECTRONICS Logo nach Spec. 202-36
 - 14 Passender TE Gegenstecker: (siehe Stückliste)
MATED WITH TE CONNECTOR: (SEE PARTS LIST)
 - 15 Generell passende Flachsteckerwanne siehe RAST5 Vorgabe
GENERAL SUITABLE TAB HEADER HOUSING SEE RAST5 PERFORMANCE
 - 16 Leiterplattenanschluß siehe Zeichnung 88-9935-2
CONNECTION TO THE PC BOARD SEE DRAWING 88-9935-2

- 17 PRELIMINARY PART NOT RELEASED FOR PRODUCTION
- 18 MATERIAL ACC. TO UL94-V0 AND GWEPT
750°C NO FLAME
- 19 DOUBLE SOURCE RESIN: ALTERNATIVE RESIN UNDER APPROVAL

Tabelle mit Ausführungsvarianten
und Bestellnummern auf Blatt 2 von 2

LIST WITH DIFFERENT STYLINGS AND
PARTNUMBERS SEE SHEET 2 OF 2

THIS DRAWING IS A CONTROLLED DOCUMENT.

| | |
|-------------------|-----------------|
| OWNER: Manke, B | DATE: 28-NOV-02 |
| CHK: Stredak, F | DATE: 28-NOV-02 |
| APVD: Bleicher, M | DATE: 30-NOV-02 |

NAME: 2-11 POS. STANDARD-TIMER HOUSING WITH INTERIOR LOCKING, PITCH 5mm

SIZE: 108-18049-1

WEIGHT: -

CUSTOMER DRAWING

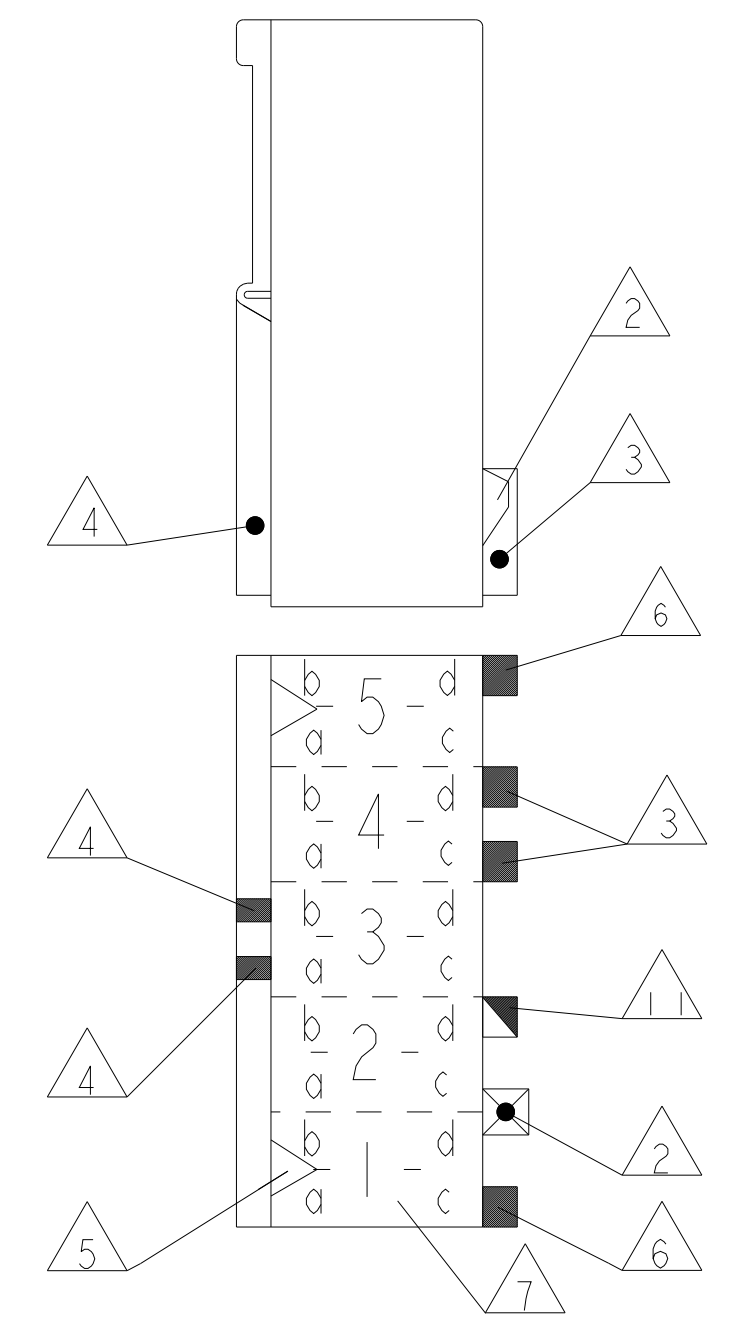
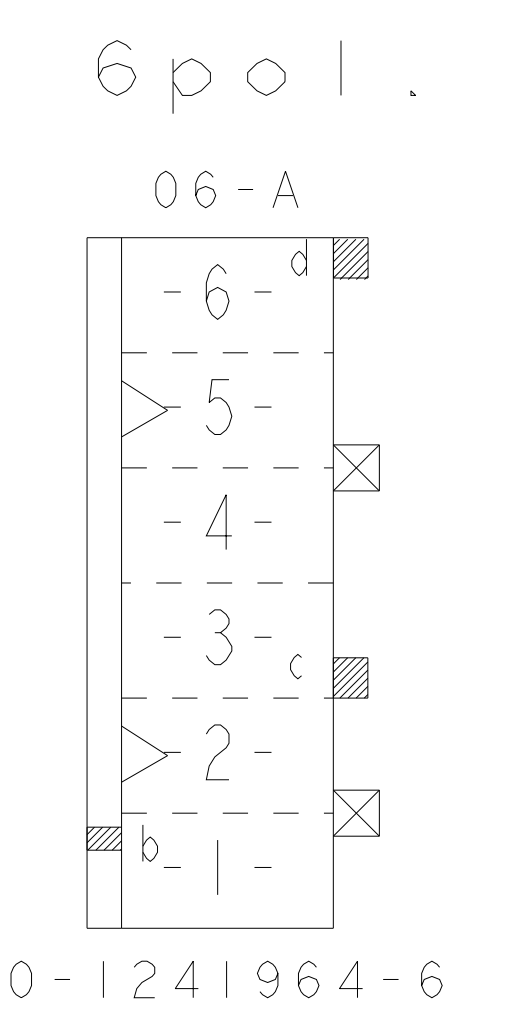
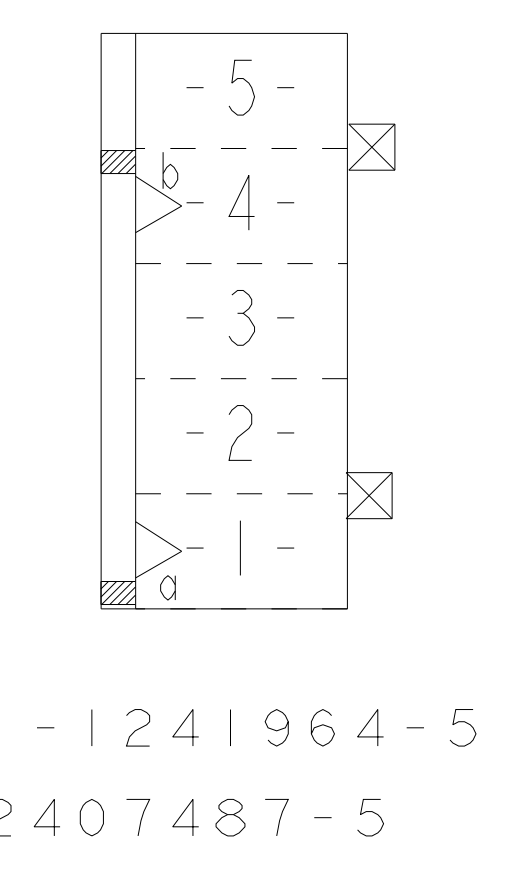
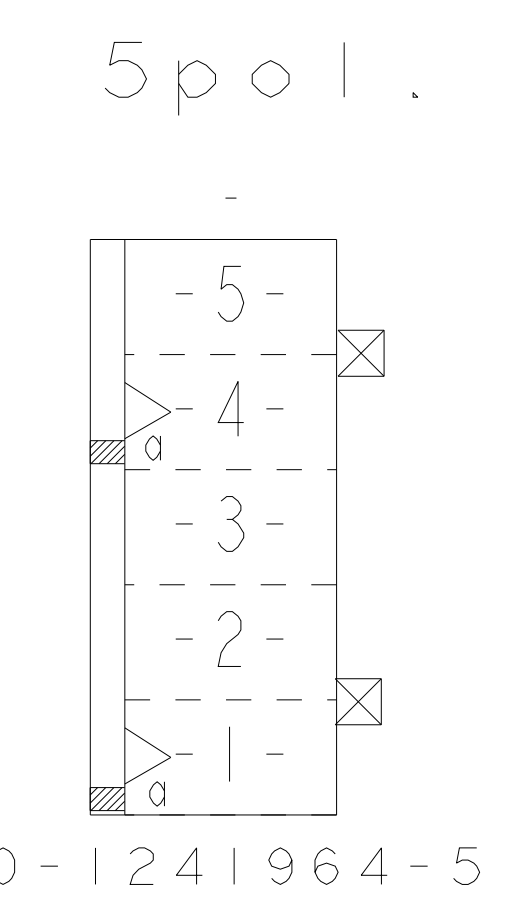
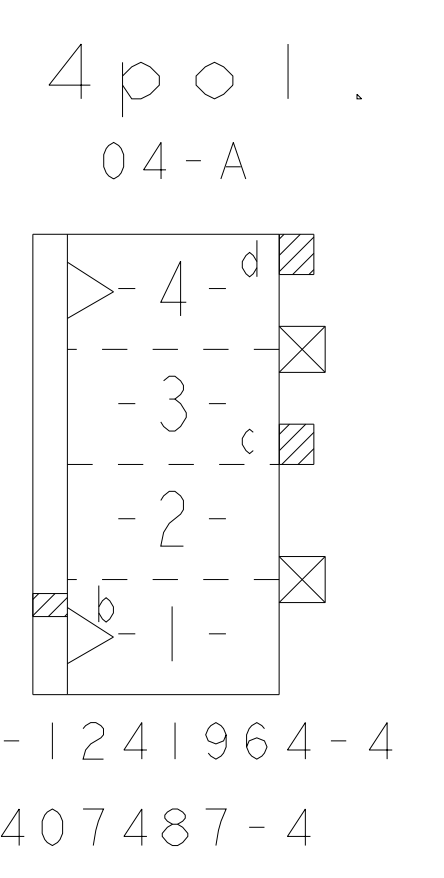
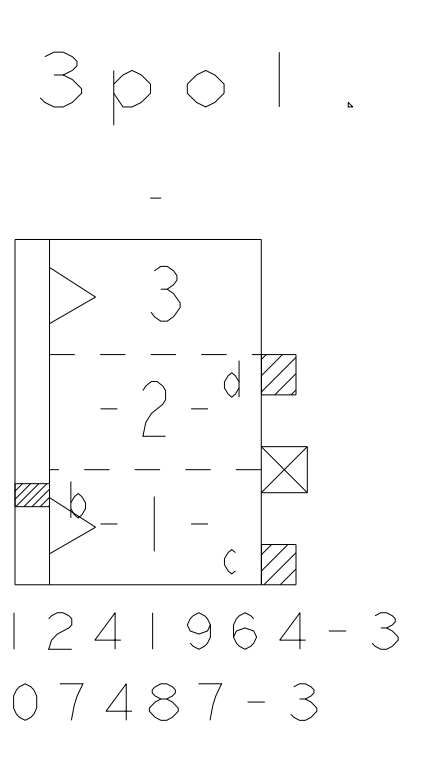
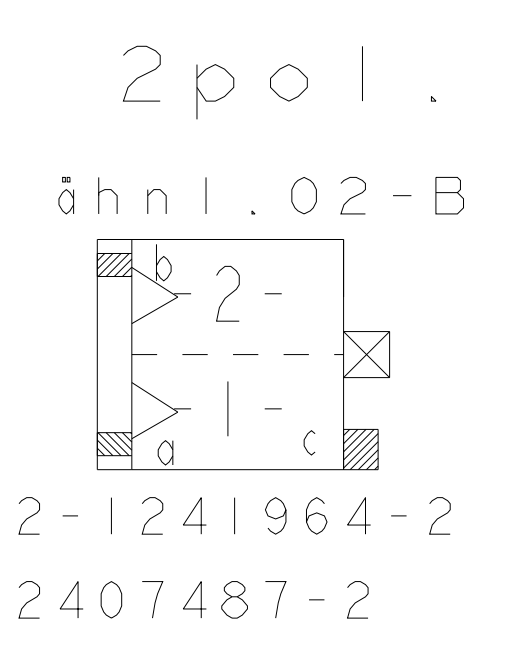
SCALE: 1:1 SHEET 1 OF 2 REV: A22

SEE SHEET 2/2 / siehe Blatt 2/2

| CUSTOMER PART NO | AMP PART NO | REV | PCS | MATERIAL | SURFACE COLOR | DESCRIPTION | ITEM NO |
|------------------|-------------|-----|-----|----------|---------------|-------------|---------|
| - | - | - | - | - | - | - | - |
| - | - | - | - | - | - | - | - |
| - | - | - | - | - | - | - | - |

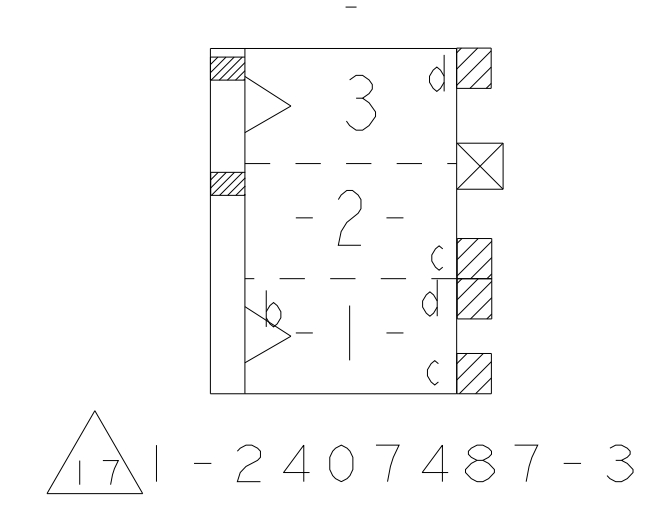
MATERIAL: SEE SHEET 2/2
FINISH: SEE SHEET 2/2

| REVISIONS | | | | |
|-----------|-----|-------------|------|------|
| P | LTN | DESCRIPTION | DATE | APPD |
| - | | SEE SHEET 1 | - | - |
| | | | | |
| | | | | |

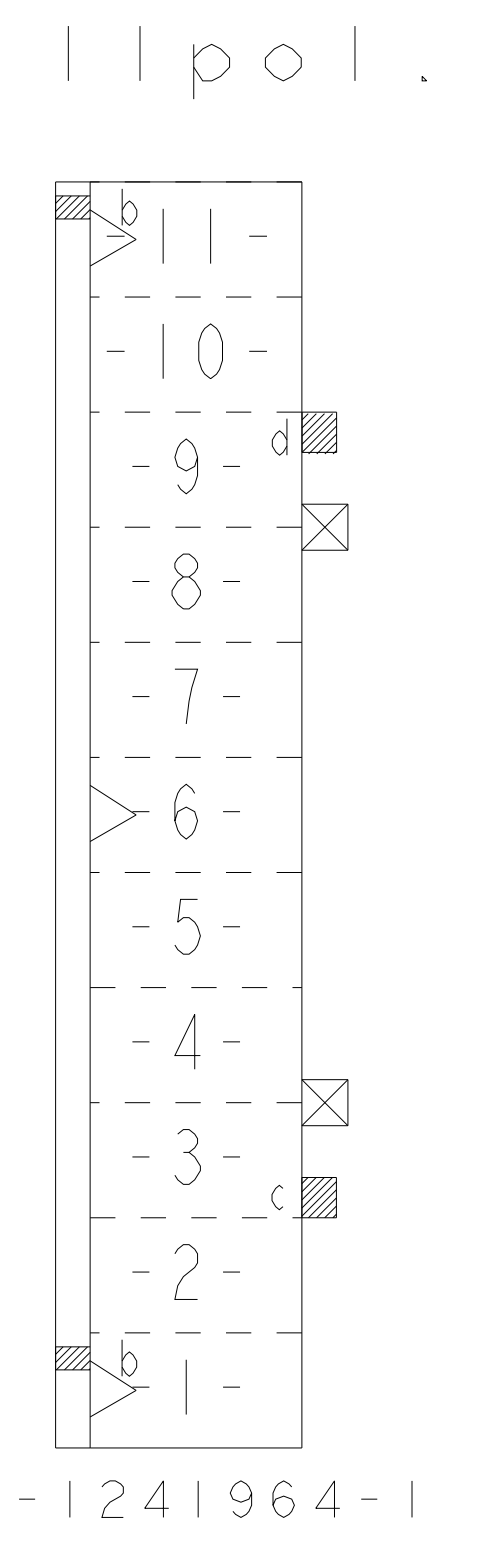
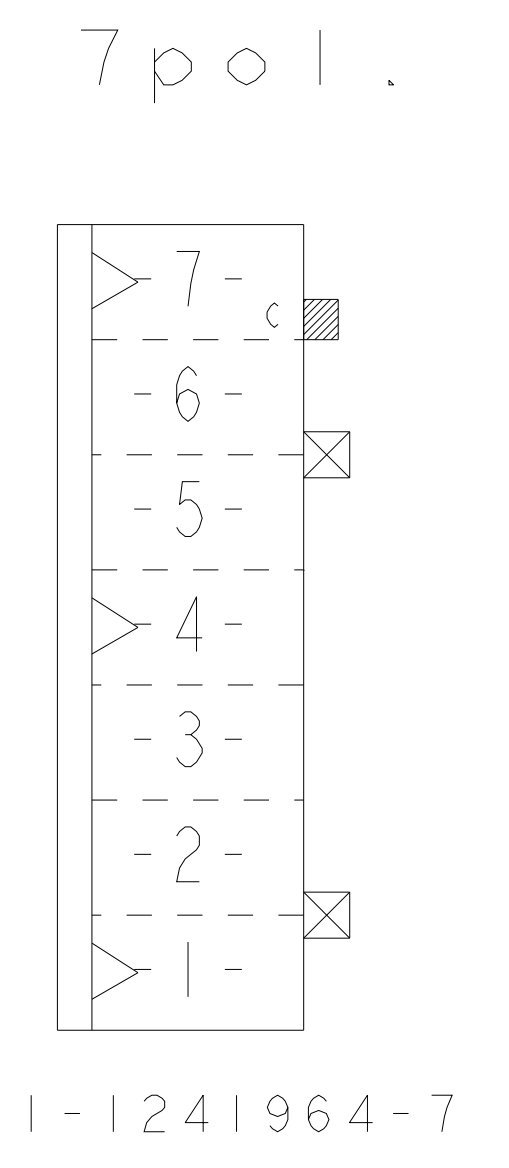
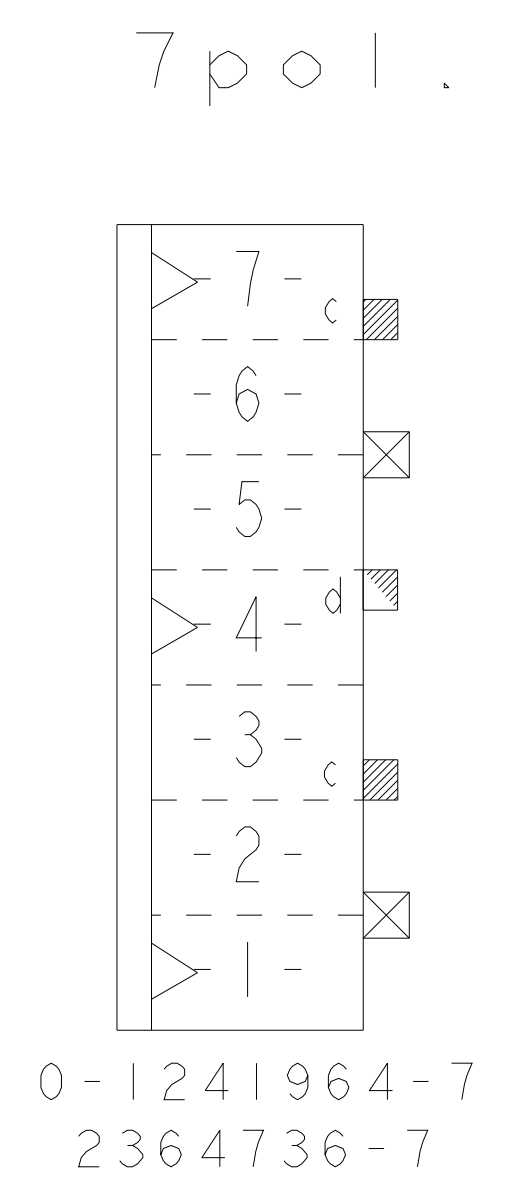


Darstellung:
Lage der Kodier- und
Polarisierungsrippen und
Rastfedern am Gehäuse

DESCRIPTION:
POSITION OF KEYING RIB AND THE
LOCKING LATCH AT THE HOUSINGS



TE PART NUMBER (OPTIONAL)



| 2407487-5 | 5 | 25 | 20 | NATURE/natur | PA66 ¹⁸ UL94-V0 & GWEPT 750°C n.f. | ¹⁵ / ¹⁶ | |
|-------------------|-------|-------|-------|--------------|---|-------------------------------|--------------------------|
| 2407487-4 | 4 | 20 | 15 | NATURE/natur | | ¹⁵ / ¹⁶ | |
| 1-2407487-3 | 3 | 15 | 10 | NATURE/natur | | ¹⁵ / ¹⁶ | |
| 2407487-3 | 3 | 15 | 10 | NATURE/natur | | ¹⁵ / ¹⁶ | |
| 2407487-2 | 2 | 10 | 5 | NATURE/natur | | ¹⁵ / ¹⁶ | |
| 2364736-7 | 7 | 35 | 30 | BLUE | PA66 ¹⁸ / ¹⁹ / ¹⁸ UL94-V0 & GWEPT 750°C n.f. | ¹⁵ / ¹⁶ | |
| 1-1241964-1 | 11 | 55 | 50 | NATURE/natur | PAG UL94V-2 | ¹⁵ / ¹⁶ | |
| 1-1241964-7 | 7 | 35 | 30 | NATURE/natur | | ¹⁵ / ¹⁶ | |
| 0-1241964-7 | 7 | 35 | 30 | NATURE/natur | | ¹⁵ / ¹⁶ | |
| 0-1241964-6 | 6 | 30 | 25 | NATURE/natur | | ¹⁵ / ¹⁶ | |
| 1-1241964-5 | 5 | 25 | 20 | NATURE/natur | | ¹⁵ / ¹⁶ | |
| 0-1241964-5 | 5 | 25 | 20 | NATURE/natur | | ¹⁵ / ¹⁶ | |
| 0-1241964-4 | 4 | 20 | 15 | NATURE/natur | | ¹⁵ / ¹⁶ | |
| 0-1241964-3 | 3 | 15 | 10 | NATURE/natur | | ¹⁵ / ¹⁶ | |
| 2-1241964-2 | 2 | 10 | 5 | NATURE/natur | | ¹⁵ / ¹⁶ | |
| Bestell-Nr./ähnl. | Maß A | Maß B | Farbe | Materi | | Gegenstecker | ¹⁴ |
| PART NO. | POS. | DIM A | DIM B | COLOUR | | MATERIAL | MATED WITH ¹⁴ |

Stückliste/PARTS LIST

THIS DRAWING IS A CONTROLLED DOCUMENT.

DWG: Manke, B 28-NOV-02
CHK: Stredak, F 28-NOV-02
APPD: Bleicher, M 30-NOV-02

TE Connectivity

2-11 POS. STANDARD-TIMER HOUSING WITH INTERIOR LOCKING. PITCH 5mm

SIZE: 108-18049-1
CAGE CODE: 00779
DRAWING NO: 1241964

SCALE: 1:1 SHEET 2 OF 2 REV: A22