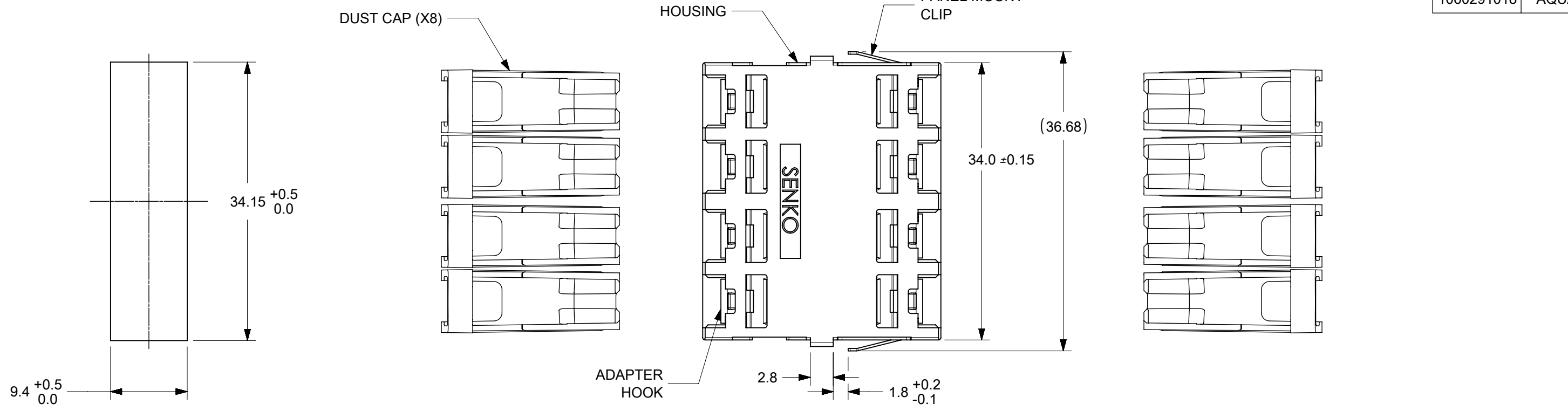
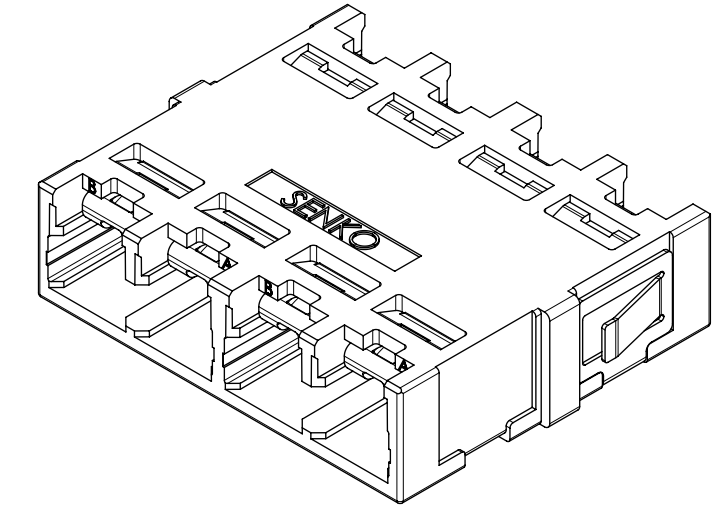
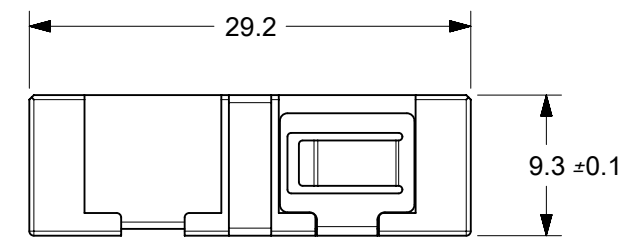
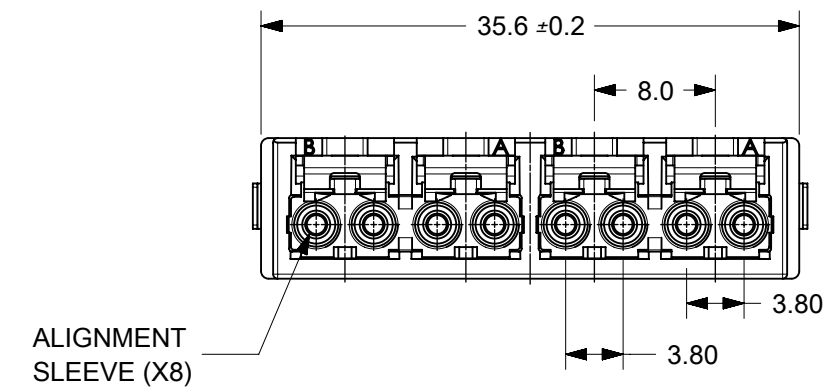


ADAPTER P/N	ADAPTER COLOR
1060291017	BLUE
1060291018	AQUA (OM3)



MOUNTING HOLE DIMENSIONS
(REFERENCE ONLY)
PANEL THICKNESS 1.7mm MAX.



DUST CAPS
NOT SHOWN

- NOTES:
1. ALL MATERIALS ARE COMPLIANT UL94 V-0.
 2. INTERFACE DIMENSIONS COMPLIANT TO TYPE CS FAMILY SPECIFICATION.

THIS DRAWING CONTAINS INFORMATION THAT IS PROPRIETARY TO MOLEX ELECTRONIC TECHNOLOGIES, LLC AND SHOULD NOT BE USED WITHOUT WRITTEN PERMISSION											
SYMBOLS		DIMENSION UNITS		SCALE		CURRENT REV DESC:				molex	
= 0		mm		2:1		EC NO: 630047					
= 0		GENERAL TOLERANCES (UNLESS SPECIFIED)				DRWN: IGUMIN 2020/01/06				CS 8F QUAD CHANNEL ADAPTER WITHOUT FLANGE	
= 0		ANGULAR TOL ± °				CHK'D: TWANG74 2020/01/07					
= 0		4 PLACES ±				APPR: TWANG74 2020/01/07				PRODUCT CUSTOMER DRAWING	
= 0		3 PLACES ±				INITIAL REVISION:					
= 0		2 PLACES ±				DRWN: IGUMIN 2020/01/06				DOCUMENT NUMBER	
= 0		1 PLACE ±				APPR: TWANG74 2020/01/07					
= 0		0 PLACES ±				DRAFT WHERE APPLICABLE MUST REMAIN WITHIN DIMENSIONS				1060291017	
= 0		THIRD ANGLE PROJECTION		DRAWING		SERIES		MATERIAL NUMBER		CUSTOMER	
= 0		B-SIZE		106029		SEE TABLE		1		1 OF 1	