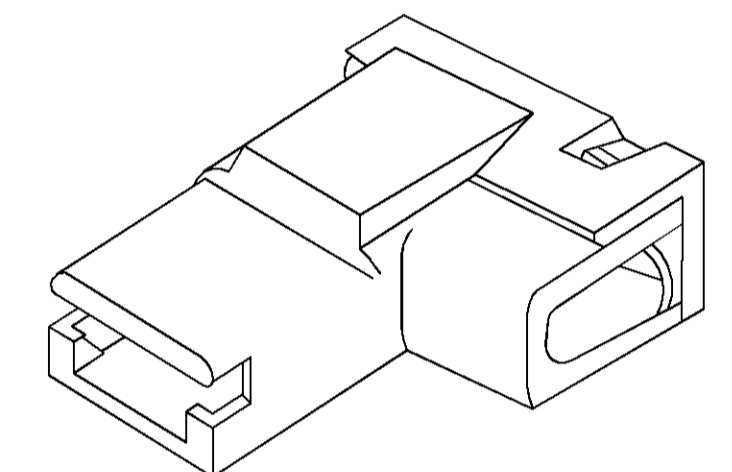


REFERENCE PART NUMBER	MATIERE MATERIAL	COULEUR COLOR	COLOR
0989421110	polyamide 6.6	naturel	natural
0989421111	_____	noir	black
0989421112	_____	rouge	red
0989421113	_____	orange	orange
0989421114	_____	jaune	yellow
0989421115	_____	vert	green
0989421116	_____	bleu	blue
0989421117	_____	violet	violet
0989421118	_____	gris	grey
0989421119	_____	marron	brown



Cotes à contrôler sur pièces en état stabilisé à 2.5%±1.5% de teneur en eau
 Dimensions to be controlled on parts in stabilized state at 2.5%±1.5% relative humidity

NOTA Connexions à employer :

(pour cables de 0.35 à 1mm² isolant réduit)
 (_____ 0.35 à 1mm²)
 (_____ 1 à 3mm²)

0988931011
 0988931012
 0988931014

NOTE Use terminals:

(for wire 0.35 to 1mm² reduced insulation)
 (_____ 0.35 to 1mm²)
 (_____ 1 to 3mm²)

ENTER DESCRIPTION	DESCRIPTION
EC NO:G2006-0100	
DRWN:PBOSQUAIN 2005/10/05	
CH:KD:JDUCLIOS 2005/10/05	
APPR:LSTICKEIR 2005/10/05	
REV B1	

GENERAL TOLERANCES (UNLESS SPECIFIED)	
mm	INCH
4 PLACES ±	±
3 PLACES ±	±
2 PLACES ±	±
1 PLACE ±	±
ANGULAR ± °	

DIMENSION STYLE	
MM ONLY	
DRAWN BY	DATE
HE	88/04/08
CHECKED BY	DATE
JLD	05/09/23
APPROVED BY	DATE
LST	05/09/23

SCALE	DESIGN UNITS	FIRST ANGLE PROJECTION
2:1	METRIC	
TITLE		
CSP6.3 FLAG RCPT HSG W/ CAP 1CKT		
MATERIAL NO. DOCUMENT NO. SHEET NO.		
SEE CHART SD-98942-001		1 OF 1
SIZE A1 THIS DRAWING CONTAINS INFORMATION THAT IS PROPRIETARY TO MOLEX INCORPORATED AND SHOULD NOT BE USED WITHOUT WRITTEN PERMISSION		