

MATERIALS AND FINISHES:

PART NO. 73415-4680/73415-4681  
73415-4682/73415-4683  
73415-4685

BODY  
BRASS  
PLATED 50u" MIN COPPER UNDERCOAT  
100~200u" NICKEL UNDERCOAT  
2u" MIN GOLD PLATING

CENTER CONTACT  
BRASS  
PLATED 10u" GOLD

OUTER CONTACT  
BERYLLIUM COPPER  
PLATED 50u" MIN COPPER UNDERCOAT  
100~200u" NICKEL UNDERCOAT  
2u" MIN GOLD PLATING

INSULATOR  
TEFLON

WITHSTAND 48HRS SALT SPRAY TEST

NOTE:

1. PART NO.73415-4681 WITHOUT CONTACT PART
2. 73415-4682 WITH CUSTOMER REQUEST PACKAGE
3. PART NO.73415-4683/73415-4684  
PACKAGE 500PCS BY BAG

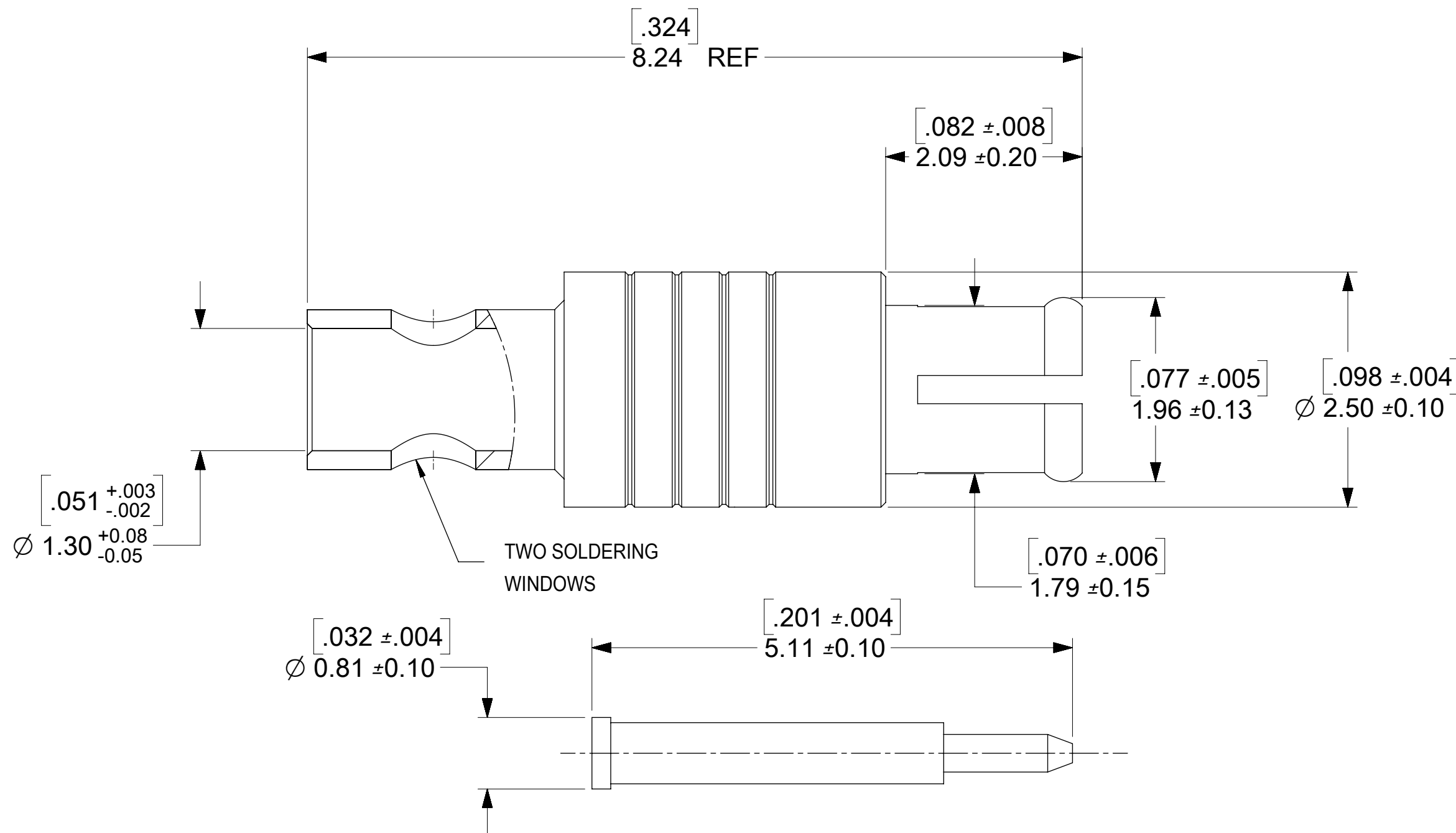
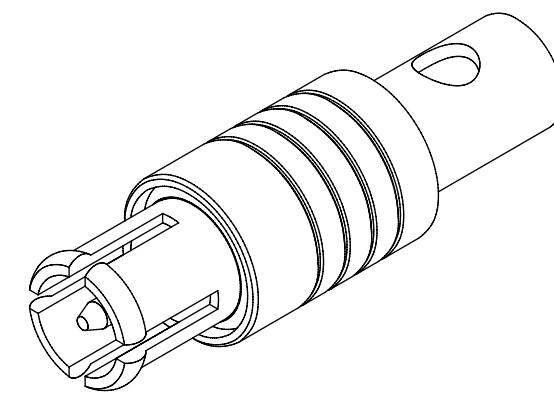
PART NO.73415-4684

BODY  
BERYLLIUM COPPER  
PLATED TRI METAL

CENTER CONTACT  
BERYLLIUM COPPER  
PLATED GOLD

OUTER CONTACT  
BERYLLIUM COPPER  
PLATED GOLD

INSULATOR  
TEFLON



|               |                       |
|---------------|-----------------------|
| PS-73598-0220 | PRODUCT SPECIFICATION |
| AS-73597-033  | ASSEMBLY INSTRUCTION  |
| SPECIFICATION | DESCRIPTION           |

| 73415-4687 | NON-MAGNETIC | 1 PIECE 73415-4684 PER BAG  | SEE 89542-0080 DRAWING |
|------------|--------------|-----------------------------|------------------------|
| 73415-4686 | GENERAL TYPE | 1 PIECE 73415-4680 PER BAG  | SEE 89542-0080 DRAWING |
| 73415-4685 | GENERAL TYPE | SPECIFIC LABEL ON OUTER BOX | -----                  |
| 73415-4684 | NON-MAGNETIC | 500pcs BY ONE BAG           | SEE 89542-0120 DRAWING |
| 73415-4683 | GENERAL TYPE | 500pcs BY ONE BAG           | SEE 89542-0120 DRAWING |
| 73415-4682 | GENERAL TYPE | SEE NOTE 2                  | -----                  |
| 73415-4681 | GENERAL TYPE | SEE NOTE 1                  | -----                  |
| 73415-4680 | GENERAL TYPE | 1000pcs BY ONE BAG          | SEE 89542-0100 DRAWING |
| PART NO.   | DESCRIPTION  | PACKAGING                   | PACKAGING SPEC.        |

PRE-RELEASE  
REFERENCE  
USE ONLY

| D3  | 2017/08/23 | 1. CHANGE DIMENSION FROM $\varnothing 0.76 \pm 0.10$ TO $\varnothing 0.81 \pm 0.10$<br>2. ADD 2.09±0.20 DIMENSION<br>3. ADD 1.79±0.15 DIMENSION<br>4. ADD 1.96±0.13 DIMENSION<br>5. ADD PACKAGE SPEC ON DRAWING |
|-----|------------|---|
| REV | DATE       | DESCRIPTION   |

|                 |       |       |   |   |  |  |  |
|-----------------|-------|-------|---|---|--|--|--|
| QUALITY SYMBOLS |       |       |   | THIS DRAWING CONTAINS INFORMATION THAT IS PROPRIETARY TO MOLEX ELECTRONIC TECHNOLOGIES, LLC AND SHOULD NOT BE USED WITHOUT WRITTEN PERMISSION   |  |  |  |
| ▽ = 0           | ▽ = 0 | ▽ = 0 | ▽ = 0   | DIMENSION UNITS: HYBRID<br>SCALE: 1:1<br>DRWN BY: SSHAH<br>DATE: 2006/08/31<br>CHK'D BY: TFLAHERTY<br>DATE: 2006/08/31<br>APPR BY: JWIENER<br>DATE: 2006/08/31<br>DRAWING SIZE: C<br>THIRD ANGLE PROJECTION | <b>molex</b><br>SSMCX PLUG, 50 OHM<br>PLUG CABLE TYPE SSMCX-PC |  |  |
| ▽ = 0           | ▽ = 0 | ▽ = 0 | PRODUCT CUSTOMER DRAWING<br>SERIES: 73415<br>MATERIAL NUMBER: 73415<br>CUSTOMER: GENERAL MARKET |   |  |  |  |
| ▽ = 0           | ▽ = 0 | ▽ = 0 | DOCUMENT NUMBER: SD-73415-468<br>DOC TYPE: PSD<br>DOC PART: 001<br>SHEET NUMBER: 1 OF 1         |   |  |  |  |
| ▽ = 0           | ▽ = 0 | ▽ = 0 |   |   |  |  |  |
| ▽ = 0           | ▽ = 0 | ▽ = 0 |   |   |  |  |  |
| ▽ = 0           | ▽ = 0 | ▽ = 0 |   |   |  |  |  |