

MATERIALS AND FINISHES

BODY REAR BRASS
PLATED TIN

BODY FRONT BRASS
PLATED NICKEL

CENTER CONTACT PHOSPHOR BRONZE/BRASS
PLATED GOLD

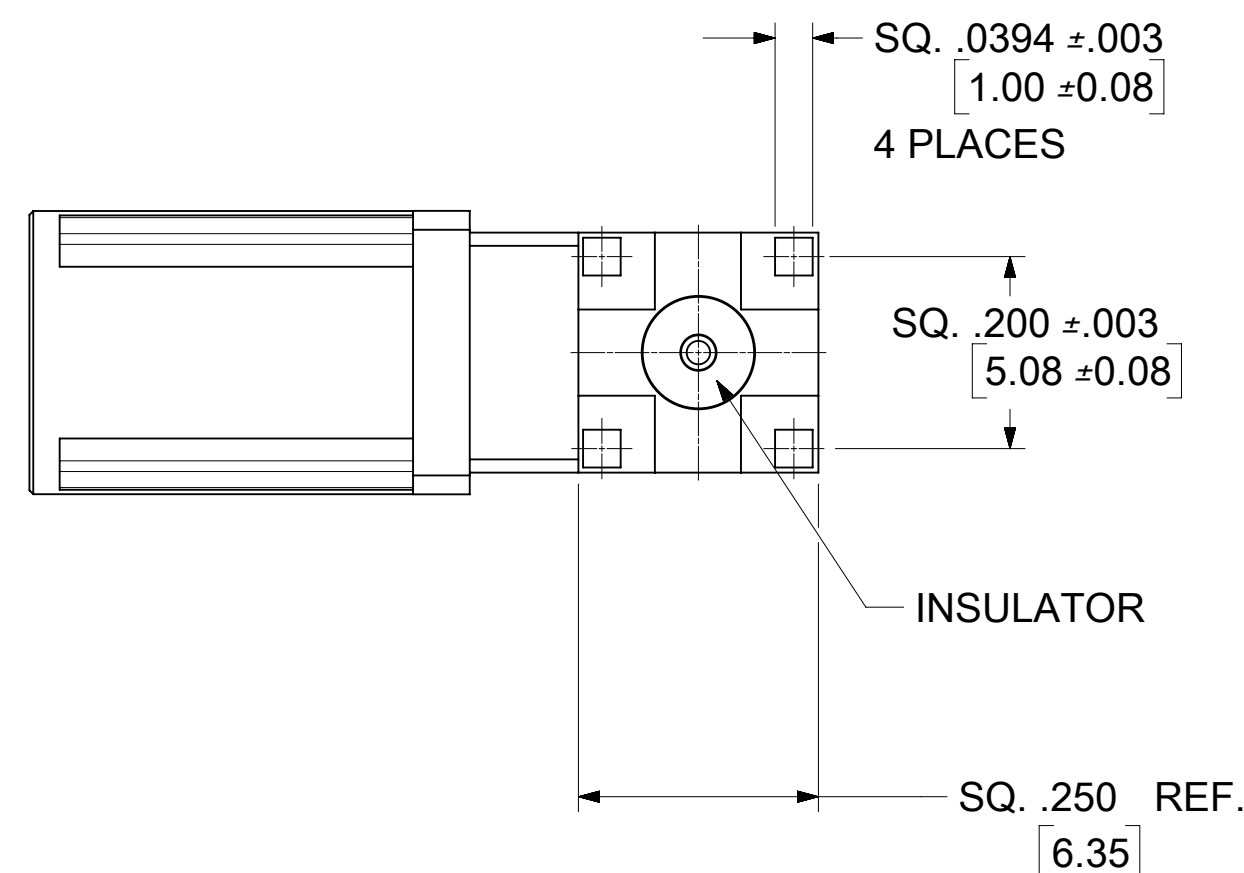
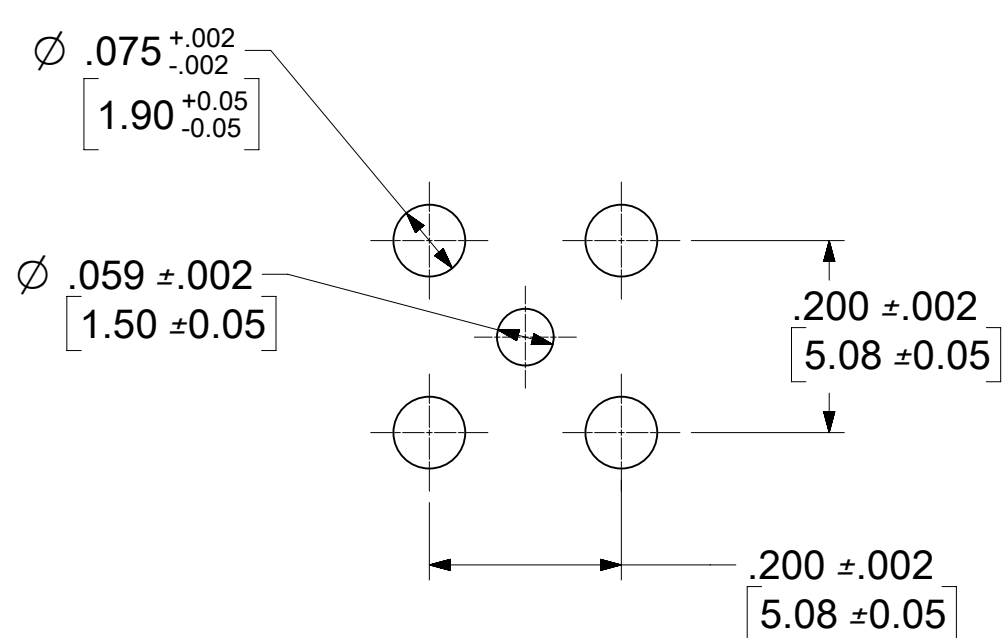
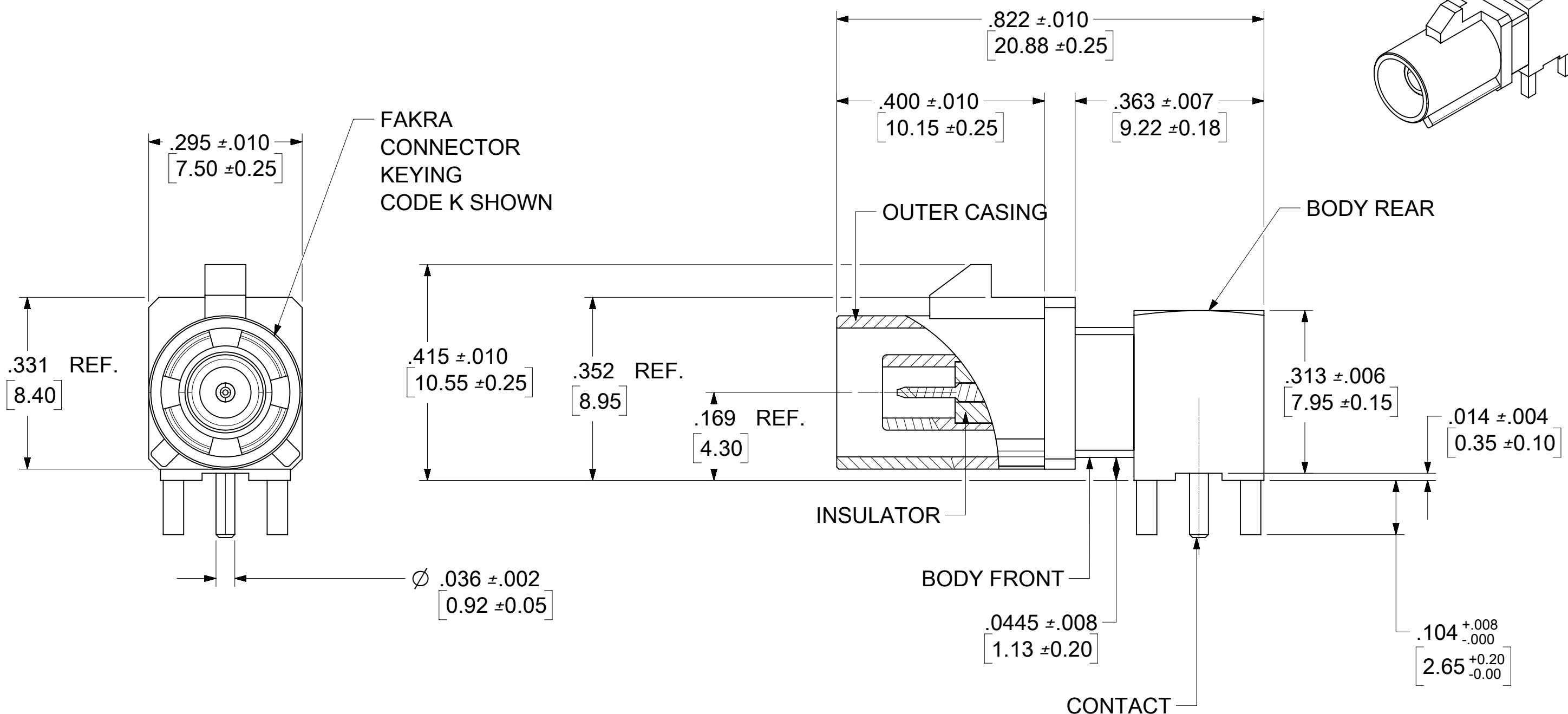
OUTER CASING HIGH TEMPERATURE PLASTIC
KEYING SEE TABLE
COLOR SEE TABLE

INSULATOR TEFLON

PACKAGING BY TRAY

RETENTION SPECIFICATION

THE FAKRA CONNECTOR SHROUD WILL WITHSTAND
A LONGITUDINAL FORCE OF 110 N (24.75 LBS)



PS-89675-3310	PRODUCT SPECIFICATION
MIL-STD-348A, FIG. 311.1	INTERFACE SPECIFICATION
SPECIFICATION	DESCRIPTION

2018/03/19	A7	REDRAWN AND ADDED DIM. PER 11863
2017/01/05	A6	REDRAWN
DATE	REV.	DESCRIPTION

DOCUMENT STATUS	P1	RELEASE DATE	2018/03/23 02:05:33
-----------------	----	--------------	---------------------

SYMBOLS	THIS DRAWING CONTAINS INFORMATION THAT IS PROPRIETARY TO MOLEX ELECTRONIC TECHNOLOGIES, LLC AND SHOULD NOT BE USED WITHOUT WRITTEN PERMISSION		
	DIMENSION UNITS	SCALE	CURRENT REV DESC:
▽ = 0	HYBRID	5:1	EC NO: 173804 DRWN: ELIN 2018/03/19 CHK'D: YCHENG 2018/03/23 APPR: YCHENG 2018/03/23
▽ = 0	GENERAL TOLERANCES (UNLESS SPECIFIED)		
▽ = 0	ANGULAR TOL	± 2.0°	INITIAL REVISION: DRWN: SCHOU 2009/01/21 APPR: MHUANG 2009/01/23
▽ = 0	4 PLACES	±	
▽ = 0	3 PLACES	±	DOCUMENT NUMBER SD-73403-511
▽ = 0	2 PLACES	±	
▽ = 0	1 PLACE	±	DOC TYPE PSD
▽ = 0	0 PLACES	±	
▽ = 0	DRAFT WHERE APPLICABLE MUST REMAIN WITHIN DIMENSIONS	THIRD ANGLE PROJECTION	SERIES 73403
▽ = 0		DRAWING C-SIZE	
			DOC PART 001
			REVISION A7
			MATERIAL NUMBER GENERAL MARKET
			CUSTOMER GENERAL MARKET
			SHEET NUMBER 1 OF 2

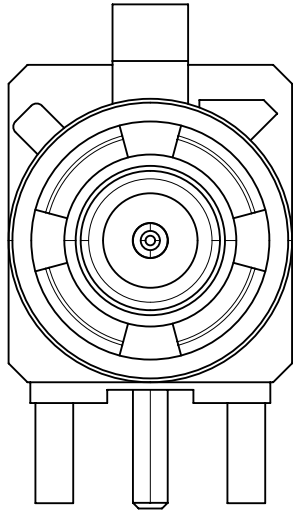
molex

SMB JACK, FAKRA R/A
PCB, 50 OHMS 11863 SMB-J/PCB/RA

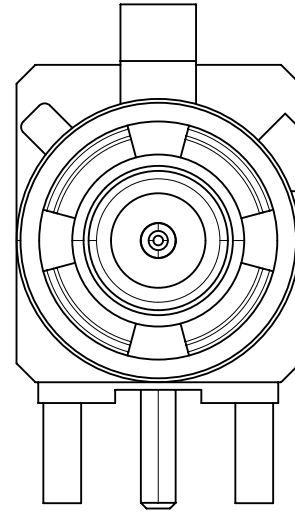
PRODUCT CUSTOMER DRAWING

A

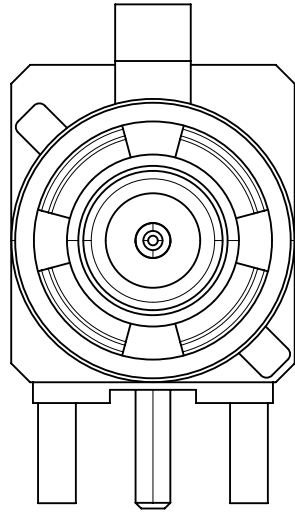
N	PASTEL GREEN	73403-5123
M	PASTEL ORANGE	73403-5122
L	CARMINE RED	73403-5121
Z	WATER BLUE	73403-5120
K	CURRY YELLOW	73403-5119
I	BEIGN	73403-5118
H	VIOLET	73403-5117
G	GRAY	73403-5116
F	BROWN	73403-5115
E	GREEN	73403-5114
D	BORDEAUXVIOLET	73403-5113
C	BLUE	73403-5112
B	SINGLE WHITE	73403-5111
A	BLACK	73403-5110
KEYING CODE	COLOR	PART NO.



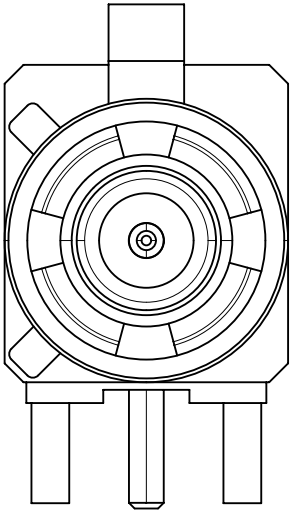
CODE A



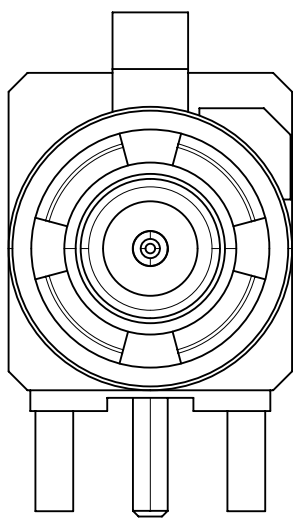
CODE B



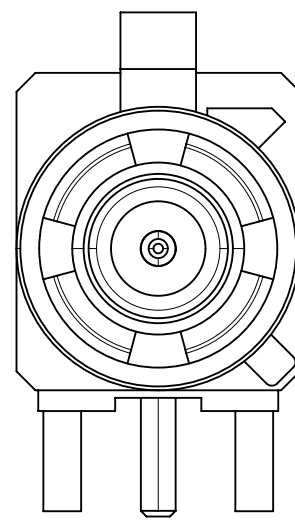
CODE C



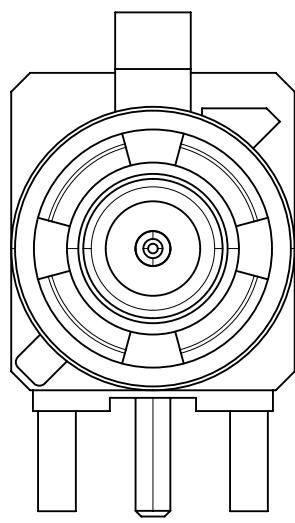
CODE D



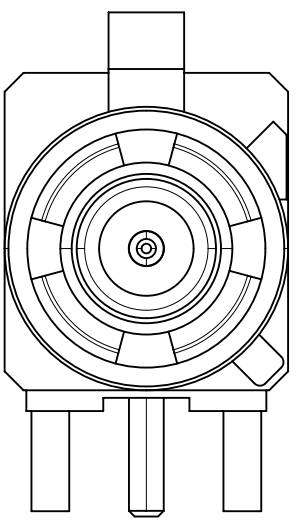
CODE E



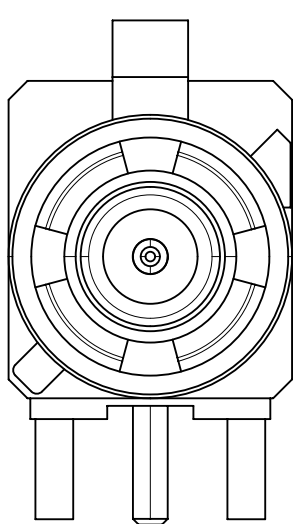
CODE F



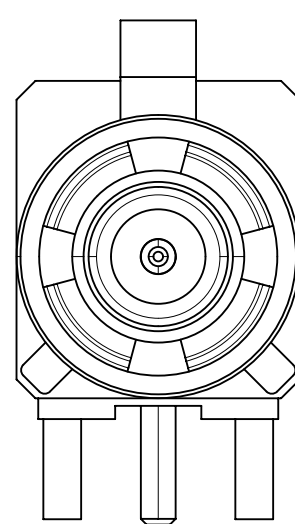
CODE G



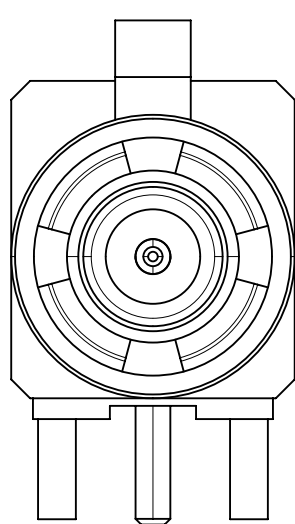
CODE H



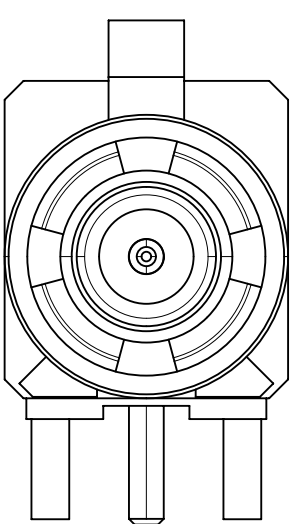
CODE I



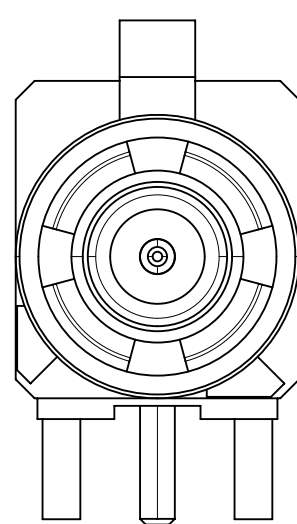
CODE K



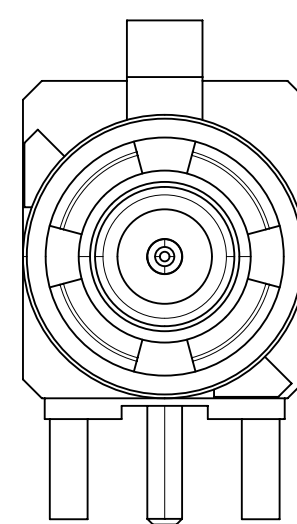
CODE Z



CODE L



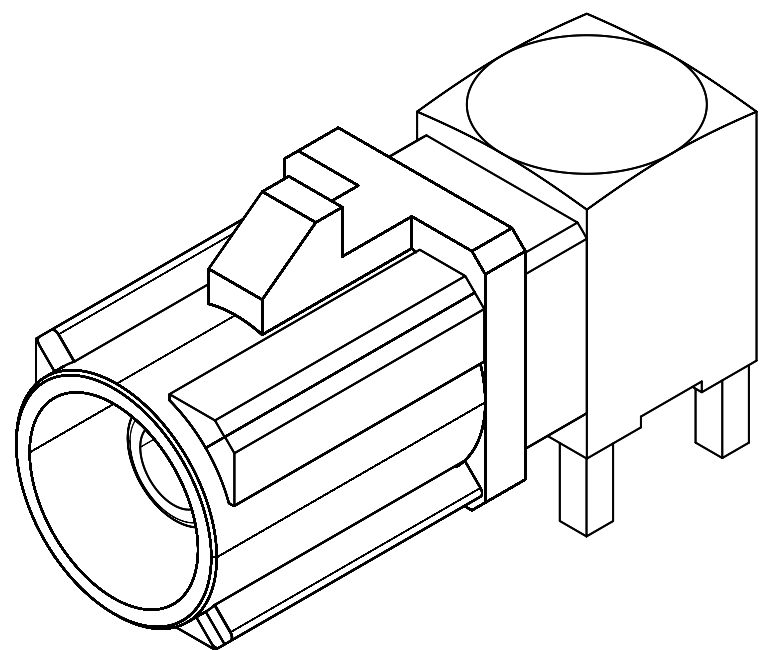
CODE M



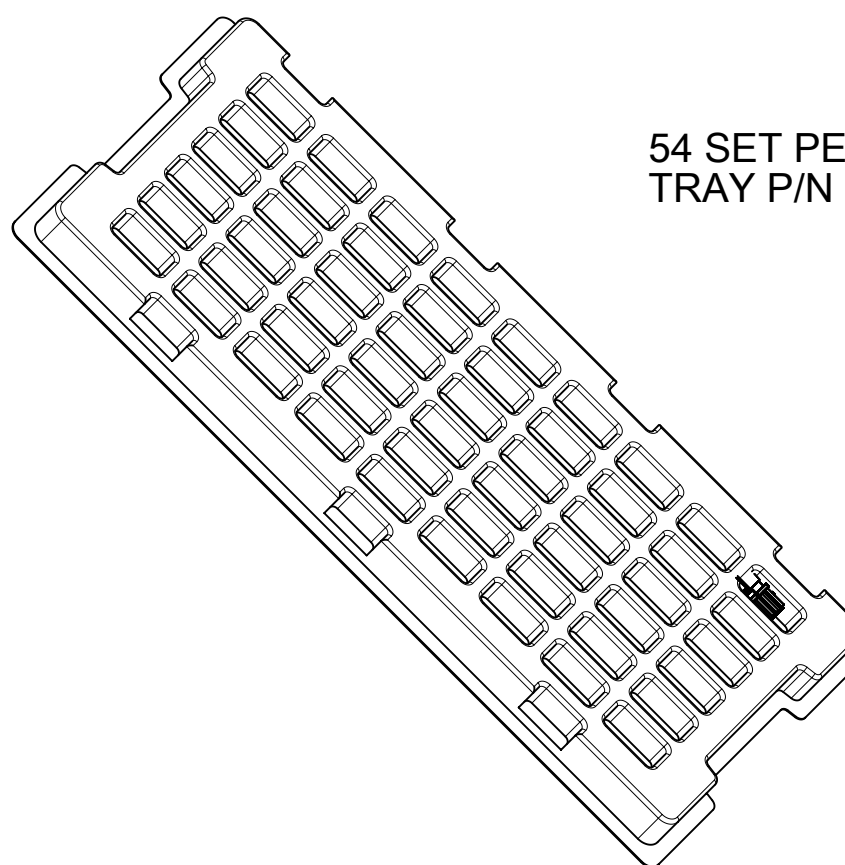
CODE N

SYMBOLS = 0 = 0 = 0 = 0 = 0 = 0 = 0 = 0 = 0 = 0	THIS DRAWING CONTAINS INFORMATION THAT IS PROPRIETARY TO MOLEX ELECTRONIC TECHNOLOGIES, LLC AND SHOULD NOT BE USED WITHOUT WRITTEN PERMISSION		CURRENT REV DESC: EC NO: 173804 DRWN: ELIN 2018/03/19 CHK'D: YCHENG 2018/03/23 APPR: YCHENG 2018/03/23 INITIAL REVISION: DRWN: SCHOU 2009/01/21 APPR: MHUANG 2009/01/23					
	DIMENSION UNITS HYBRID	SCALE 5:1	GENERAL TOLERANCES (UNLESS SPECIFIED) ANGULAR TOL ± 2.0°					SMB JACK, FAKRA R/A PCB, 50 OHMS 11863 SMB-J/PCB/RA
	PRODUCT CUSTOMER DRAWING				DOCUMENT NUMBER: SD-73403-511			
	DRAFT WHERE APPLICABLE MUST REMAIN WITHIN DIMENSIONS				THIRD ANGLE PROJECTION		DRAWING: C-SIZE	
	MATERIAL NUMBER:				CUSTOMER: GENERAL MARKET		SHEET NUMBER: 2 OF 2	
	DOC TYPE: PSD				DOC PART: 001		REVISION: A7	
	SERIES: 73403				SHEET NUMBER:			

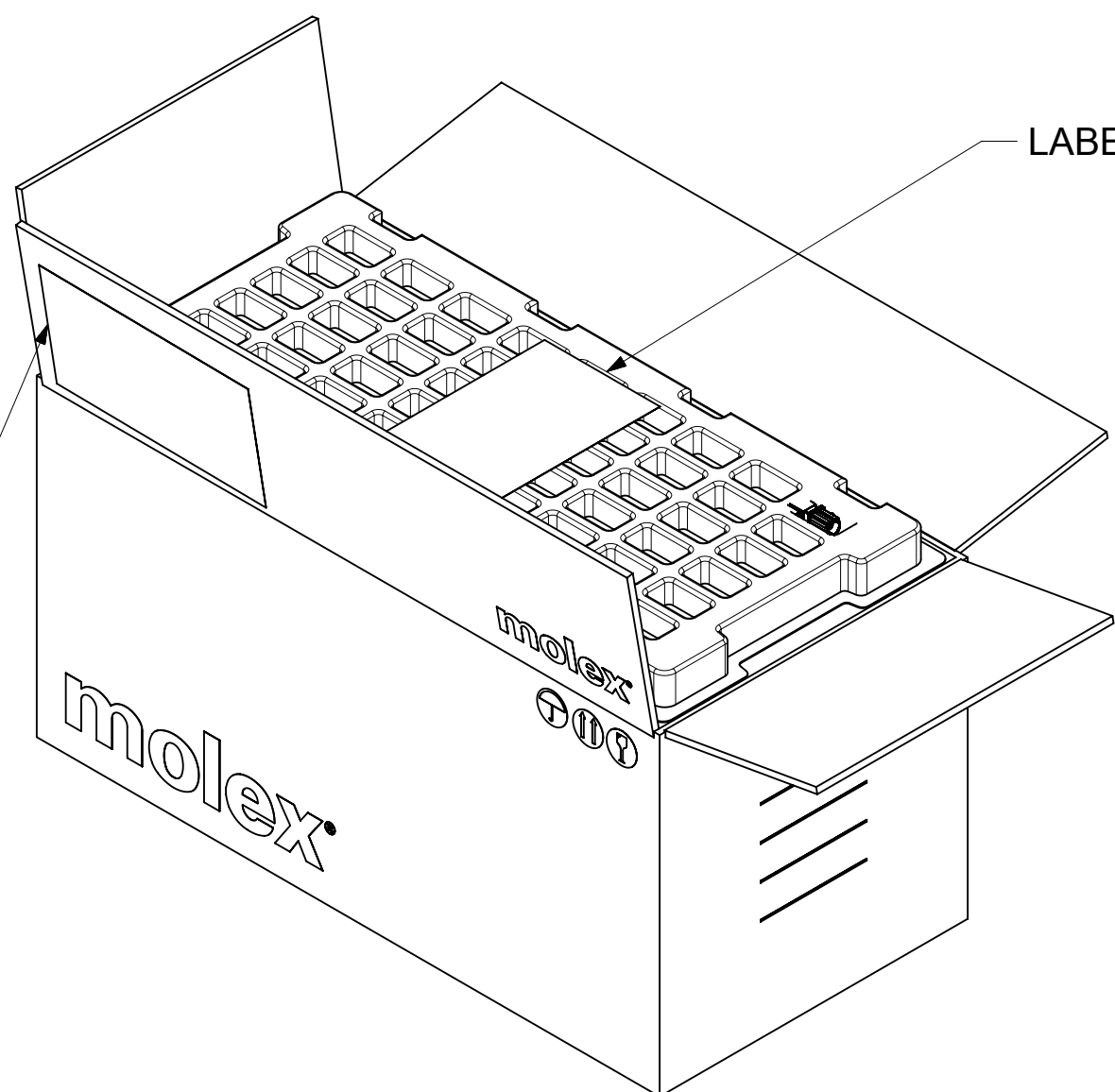
PN 73403-511X



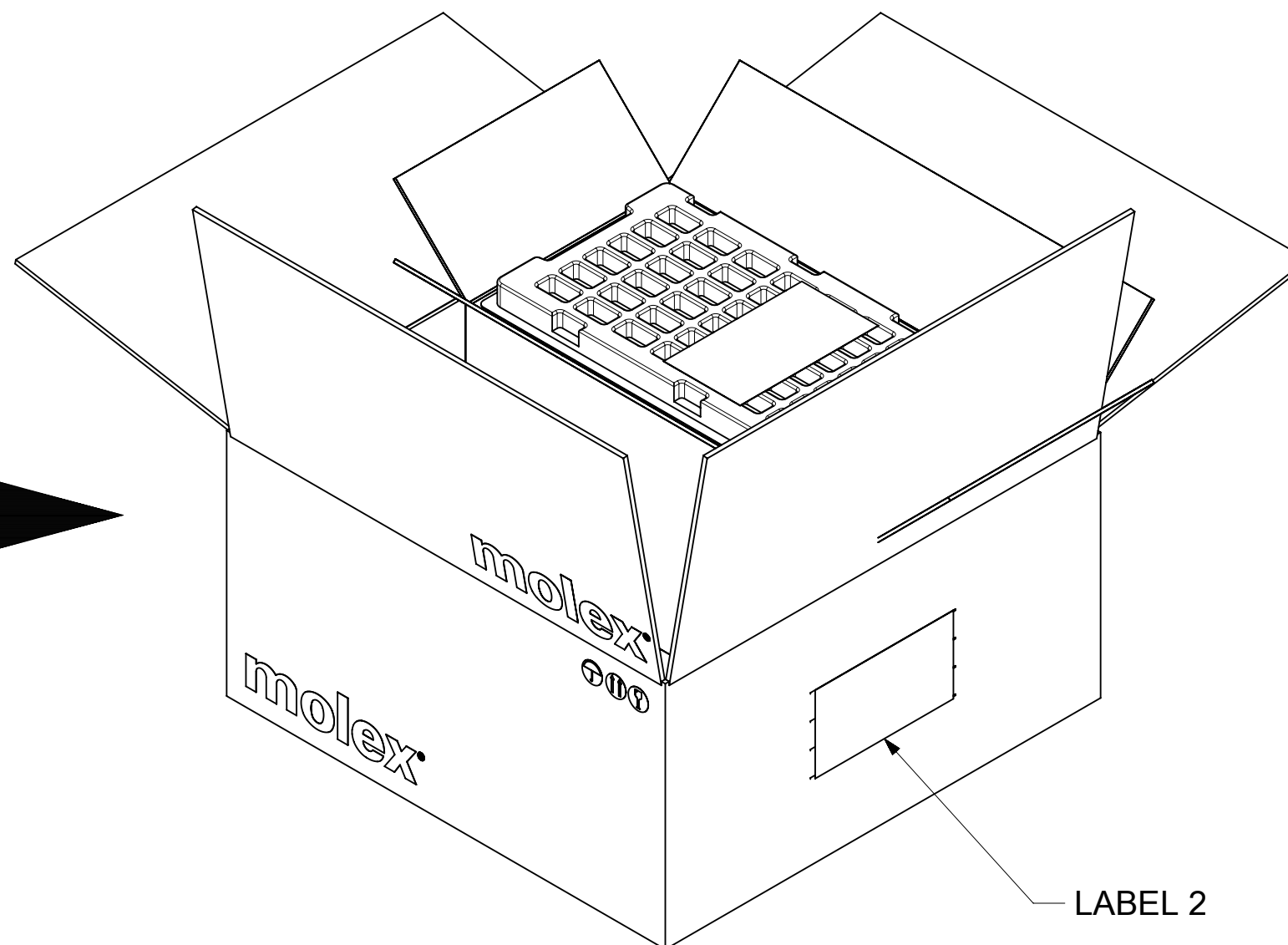
54 SET PER TRAY
TRAY P/N 89707-0220



540 SET PER INNER
CARTON BOX
P/N 96707-0001



1080 SET PER OUTER
CARTON BOX
P/N 96708-0005



LABEL 1

LABEL 1

LABEL 2

QUALITY SYMBOLS		THIS DRAWING CONTAINS INFORMATION THAT IS PROPRIETARY TO MOLEX ELECTRONIC TECHNOLOGIES, LLC AND SHOULD NOT BE USED WITHOUT WRITTEN PERMISSION											
▽ = 0	2017/11/23	GENERAL TOLERANCES (UNLESS SPECIFIED)				DIMENSION UNITS		SCALE		molex			
▽ = 0	2017/12/08	ANGULAR TOL ± 2.0 °				HYBRID		1:1					
▽ = 0	EC NO: 169042 DRWN: SH001 CHKD: YCHENG APPR: YCHENG	4 PLACES ±		DRWN BY		DATE		PACKAGING FOR 73403-511X					
▽ = 0		3 PLACES ±		SCHOU		2009/05/12							
▽ = 0		2 PLACES ±		CHKD BY		DATE		PRODUCT CUSTOMER DRAWING					
▽ = 0		1 PLACE ±		MHUANG		2009/05/19							
▽ = 0		0 PLACES ±		APPR BY		DATE		SERIES		MATERIAL NUMBER		CUSTOMER	
☒ = 0	B	DRAFT WHERE APPLICABLE MUST REMAIN WITHIN DIMENSIONS				DRAWING SIZE		THIRD ANGLE PROJECTION		73403		GENERAL MARKET	
■ = 0		C		C		C		DOCUMENT NUMBER		PSD		DOC PART SHEET NUMBER	
▽ = 0								SD-73403-511-PKG		001		1 OF 2	

LABEL 1

(1P) PART NUMBER	XXXXXXXXXXXX	(9D) DATE CODE	YYWW
DESCRIPTION		SMB JACK FAKRA R/A PCB 50 OHM	
(Q) QUANTITY	540	 www.molex.com	
(4L) COUNTRY OF ORIGIN	Taiwan		
(12D) INV CTRL DATE	YYYY/MM/DD		
(1T) TRACEABILITY	XXXXXXXXXXXX		
RoHS Compliant with Exemption REACH SVHC information - see www.molex.com		Low-Halogen	
1 of 1	OPERATOR:	17.11.23	
MOLEX TAIWAN LTD. / DANSHUI, NEW TAIPEI CITY, TAIWAN 25144			

LABEL 2

(1P) PART NUMBER	XXXXXXXXXXXX	(9D) DATE CODE	YYWW
DESCRIPTION		SMB JACK FAKRA R/A PCB 50 OHM	
(Q) QUANTITY	1080	 www.molex.com	
(4L) COUNTRY OF ORIGIN	Taiwan		
(12D) INV CTRL DATE	YYYY/MM/DD		
(1T) TRACEABILITY	XXXXXXXXXXXX		
RoHS Compliant with Exemption REACH SVHC information - see www.molex.com		Low-Halogen	
1 of 1	OPERATOR:	17.11.23	
MOLEX TAIWAN LTD. / DANSHUI, NEW TAIPEI CITY, TAIWAN 25144			

THIS DRAWING CONTAINS INFORMATION THAT IS PROPRIETARY TO MOLEX ELECTRONIC TECHNOLOGIES, LLC AND SHOULD NOT BE USED WITHOUT WRITTEN PERMISSION									
SYMBOLS ▽ = 0 ▽ = 0 ▽ = 0 ▽ = 0 ▽ = 0 ▽ = 0 ▽ = 0 ▽ = 0 ▽ = 0 ▽ = 0	DIMENSION UNITS	SCALE	CURRENT REV DESC:						
	HYBRID	1:1	EC NO: 169042 DRWN: SHO01 2017/11/23 CHK'D: APPR: YCHENG 2017/12/08						
	GENERAL TOLERANCES (UNLESS SPECIFIED)		INITIAL REVISION: DRWN: SCHOU 2009/05/12 APPR: MHUANG 2009/05/19						
	ANGULAR TOL	± 2.0°	DOCUMENT NUMBER SD-73403-511-PKG						
	4 PLACES	±	DOC TYPE PSD						
	3 PLACES	±	DOC PART 001						
	2 PLACES	±	REVISION B						
	1 PLACE	±	MATERIAL NUMBER CUSTOMER GENERAL MARKET						
	0 PLACES	±	SHEET NUMBER 2 OF 2						
	DRAFT WHERE APPLICABLE MUST REMAIN WITHIN DIMENSIONS		THIRD ANGLE PROJECTION	DRAWING	SERIES				
		#####	C-SIZE	73403					

molex

PACKAGING FOR 73403-511X

PRODUCT CUSTOMER DRAWING

MATERIALS AND FINISHES

BODY BRASS
PLATED NICKEL

HOUSING BRASS
PLATED TIN

CENTER CONTACT PHOSPHOR BRONZE/BRASS
PLATED GOLD

OUTER CASING HIGH TEMPERATURE PLASTIC
KEYING SEE TABLE
COLOR SEE TABLE

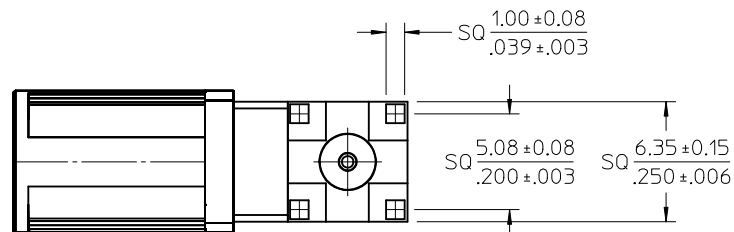
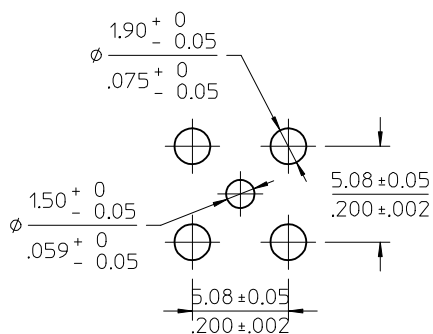
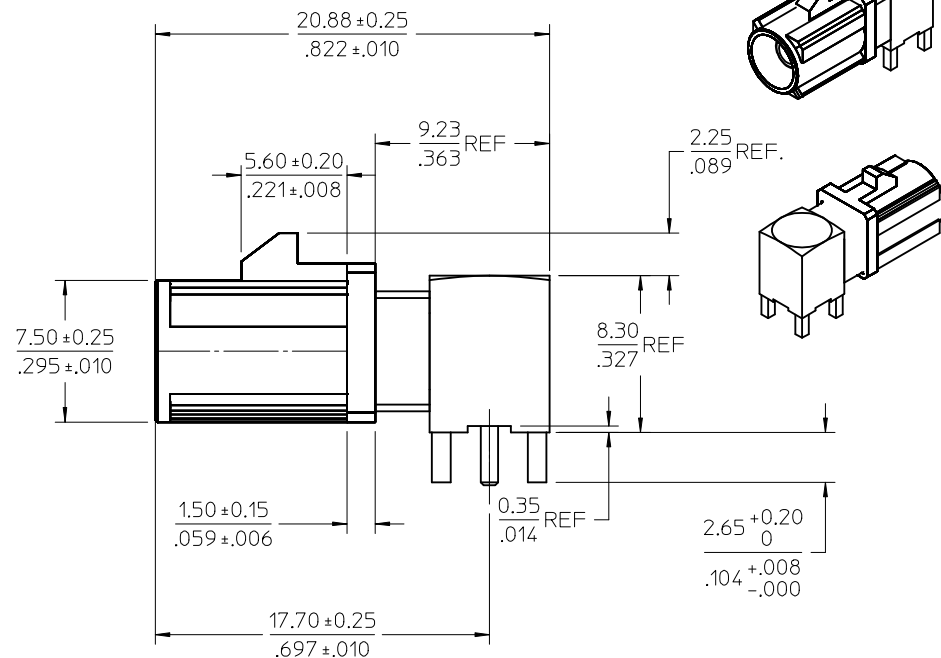
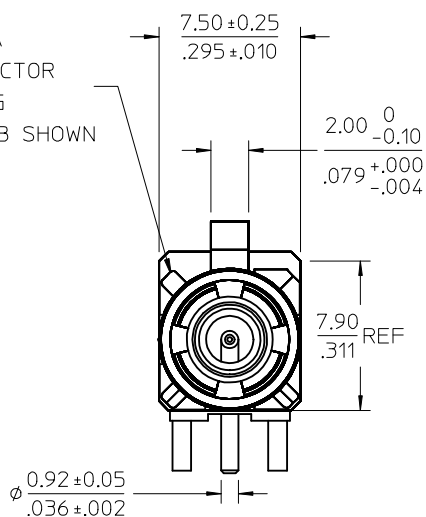
INSULATOR TEFLON

PACKAGING BY TAPE AND REEL

RETENTION SPECIFICATION

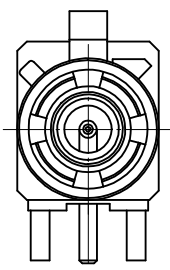
THE FAKRA CONNECTOR SHROUD WILL WITHSTAND
A LONGITUDINAL FORCE OF 110 N (24.75 LBS)

FAKRA
CONNECTOR
KEYING
CODE B SHOWN

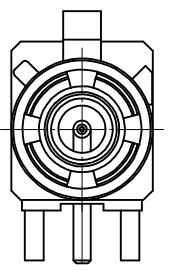


PS-89675-3310	PRODUCT SPECIFICATION
MIL-STD-348A, FIG. 311.1	INTERFACE SPECIFICATION
SPECIFICATION	DESCRIPTION

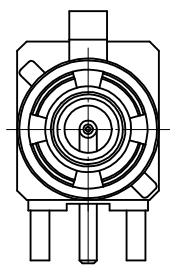
RTM PDR15092069 PDR13091433 EC NO: URF2016-0255 DRWNLIN 2013/09/24 CHKD: APPR: YCHENG 2015/10/13 DESCRIPTION	QUALITY SYMBOLS	GENERAL TOLERANCES (UNLESS SPECIFIED)	DIMENSION STYLE	SCALE	DESIGN UNITS	THIRD ANGLE PROJECTION
	▽=0	mm INCH	MM/IN	1:1	METRIC	
	▽=0	4 PLACES ± --- ± ---	DRAWN BY DATE	TITLE	SMB JACK, FAKRA,R/A	
	▽=0	3 PLACES ± --- ± ---	CHECKED BY DATE	PCB 50 OHMS T&R		SHEET NO. 1 OF 5
	2 PLACES ± --- ± ---	APPROVED BY DATE	SMB-J/PCB/RA			
	1 PLACE ± --- ± ---	ANGULAR ± 2 °	MATERIAL NO.	DOCUMENT NO.	SD-73403-650	
	0 PLACE ± --- ± ---	DRAFT WHERE APPLICABLE MUST REMAIN WITHIN DIMENSIONS	SEE SHEET 2	THIS DRAWING CONTAINS INFORMATION THAT IS PROPRIETARY TO MOLEX INCORPORATED AND SHOULD NOT BE USED WITHOUT WRITTEN PERMISSION		



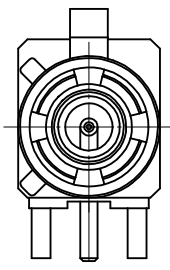
CODE-A



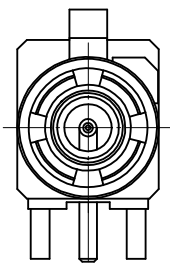
CODE-B



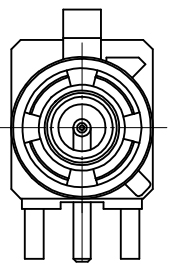
CODE-C



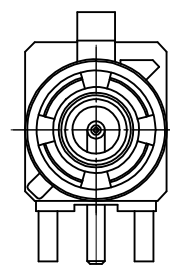
CODE-D



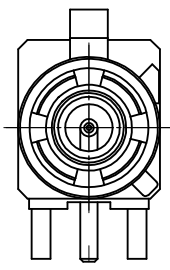
CODE-E



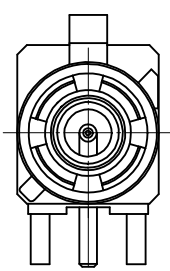
CODE-F



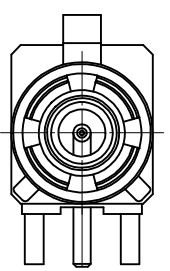
CODE-G



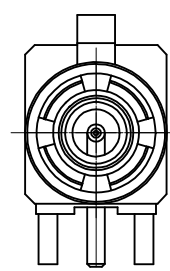
CODE-H



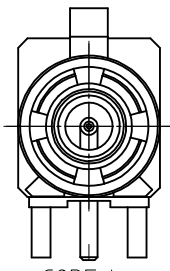
CODE-I



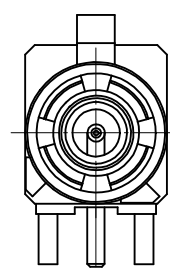
CODE-K



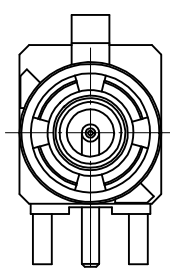
CODE-Z



CODE-L



CODE-M



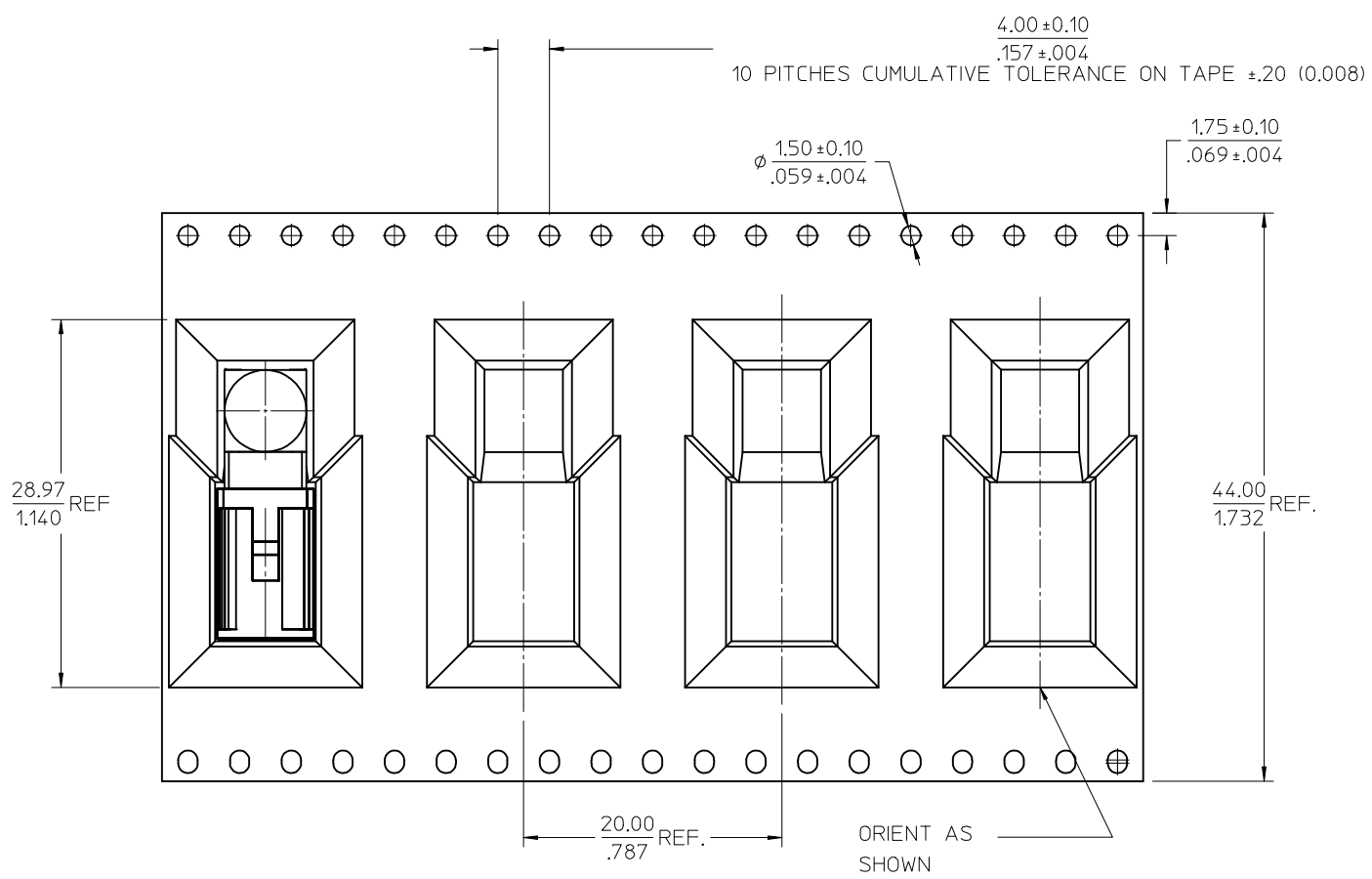
CODE-N

N	PASTEL GREEN	73403-6513
M	PASTEL ORANGE	73403-6512
L	CARMINE RED	73403-6511
Z	WATER BLUE	73403-6510
K	CURRY YELLOW	73403-6509
I	BEIGE	73403-6508
H	VIOLET	73403-6507
G	GRAY	73403-6506
F	BROWN	73403-6505
E	GREEN	73403-6504
D	BORDEAUXVIOLET	73403-6503
C	BLUE	73403-6502
B	NATURAL	73403-6501
A	BLACK	73403-6500
KEYING CODE	COLOR	PART NO.

SEE SHEET 1 EC NO: URF2016-0255 DRWNLIN 2013/09/24 CHKD: APPR: YCHENG 2015/10/13	QUALITY SYMBOLS = 0 = 0 = 0	GENERAL TOLERANCES (UNLESS SPECIFIED) <table border="1"> <tr><th></th><th>mm</th><th>INCH</th></tr> <tr><td>4 PLACES</td><td>± .005</td><td>± .0004</td></tr> <tr><td>3 PLACES</td><td>± .005</td><td>± .0004</td></tr> <tr><td>2 PLACES</td><td>± .005</td><td>± .0004</td></tr> <tr><td>1 PLACE</td><td>± .005</td><td>± .0004</td></tr> <tr><td>0 PLACE</td><td>± .005</td><td>± .0004</td></tr> </table>		mm	INCH	4 PLACES	± .005	± .0004	3 PLACES	± .005	± .0004	2 PLACES	± .005	± .0004	1 PLACE	± .005	± .0004	0 PLACE	± .005	± .0004	DIMENSION STYLE MM/IN DRAWN BY DATE EL IN 2013/09/24 CHECKED BY DATE JOANNE 2013/09/24 APPROVED BY DATE YCHENG 2015/10/13	SCALE 1:1 DESIGN UNITS METRIC THIRD ANGLE PROJECTION	TITLE SMB JACK, FAKRA,R/A PCB 50 OHMS T&R SMB-J/PCB/RA molex	MATERIAL NO. SEE TABLE DOCUMENT NO. SD-73403-650	SHEET NO. 2 OF 5
		mm	INCH																						
	4 PLACES	± .005	± .0004																						
	3 PLACES	± .005	± .0004																						
2 PLACES	± .005	± .0004																							
1 PLACE	± .005	± .0004																							
0 PLACE	± .005	± .0004																							
ANGULAR ± 2° DRAFT WHERE APPLICABLE MUST REMAIN WITHIN DIMENSIONS		SIZE C		THIS DRAWING CONTAINS INFORMATION THAT IS PROPRIETARY TO MOLEX INCORPORATED AND SHOULD NOT BE USED WITHOUT WRITTEN PERMISSION																					

13 12 11 10 9 8 7 6 5 4 3 2 1

J
I
H
G
F
E
D
C
B
A



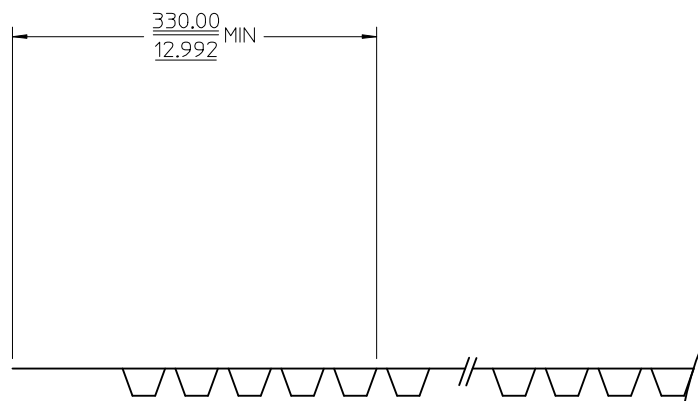
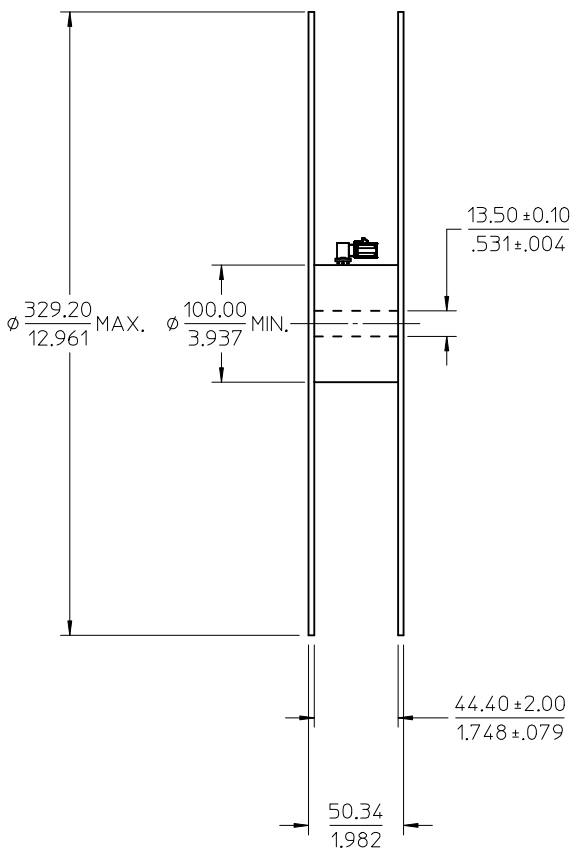
NOTES:
1. 250 CONNECTORS PER REEL ON 330.2 mm (13.0 IN) REEL

SEE SHEET 1 EC NO: URF2016-0255 DRWN:EL IN 2013/09/24 CHKD: APPR:YCHENG 2015/10/13 REV: A	QUALITY SYMBOLS	GENERAL TOLERANCES (UNLESS SPECIFIED)	DIMENSION STYLE	SCALE	DESIGN UNITS	THIRD ANGLE PROJECTION
	▽=0	mm INCH	MM/IN	1:1	METRIC	
	▽=0	4 PLACES ± --- ± ---	DRAWN BY DATE	TITLE	SMB JACK, FAKRA,R/A PCB 50 OHMS T&R SMB-J/PCB/RA	
	▽=0	3 PLACES ± --- ± ---	EL IN 2013/09/24			
	2 PLACES ± --- ± ---	CHECKED BY DATE				
	1 PLACE ± --- ± ---	JOANNE 2013/09/24				
	0 PLACE ± --- ± ---	APPROVED BY DATE	YCHENG 2015/10/13			
		ANGULAR ± 2 °	MATERIAL NO.	DOCUMENT NO.		SHEET NO.
		DRAFT WHERE APPLICABLE MUST REMAIN WITHIN DIMENSIONS	SEE SHEET 2	SD-73403-650		3 OF 5
			SIZE C	THIS DRAWING CONTAINS INFORMATION THAT IS PROPRIETARY TO MOLEX INCORPORATED AND SHOULD NOT BE USED WITHOUT WRITTEN PERMISSION		

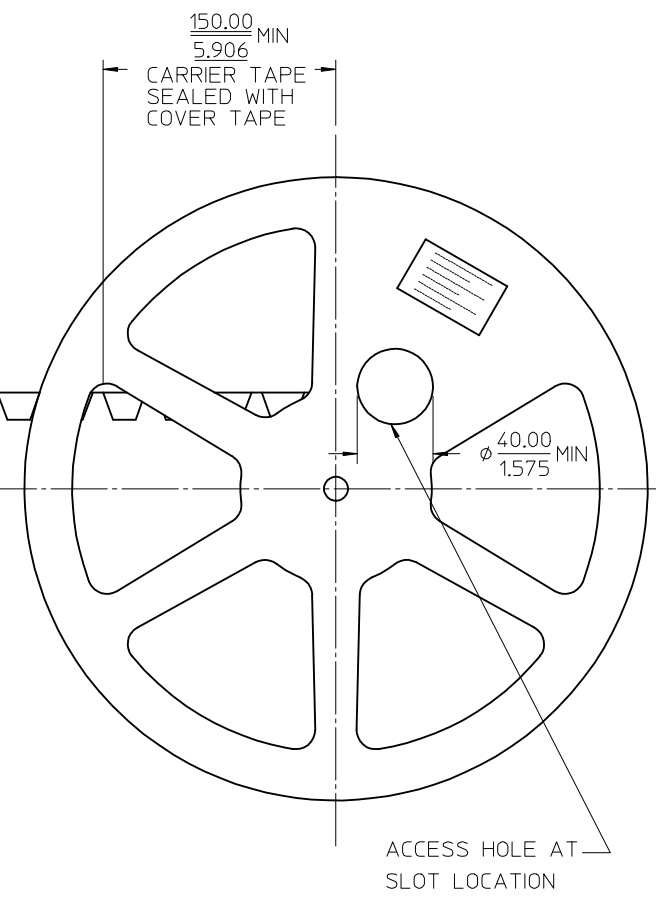
1b_frame_C_P_AM_T Rev. G 2012/01/11 12 11 10 9 8 7 6 5 4 3 2 1

13 12 11 10 9 8 7 6 5 4 3 2 1

J I H G F E D C B A

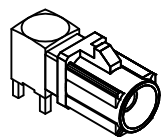


250mm MIN OF CARRIER AND /OR COVER TAPE.
PLUS 80mm MINIMUM OF CARRIER TAPE SEALED WITH COVER TAPE

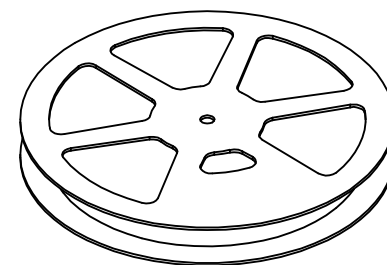
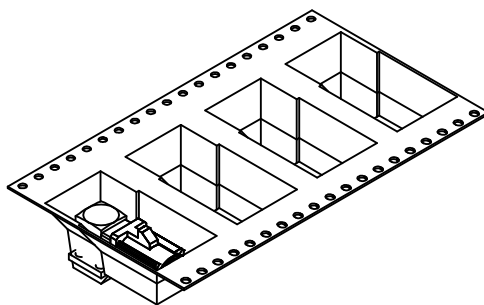


SEE SHEET 1 EC NO: URF2016-0255 DRW:ELIN 2013/09/24 CHKD: APPR:YCHENG 2015/10/13	QUALITY SYMBOLS	GENERAL TOLERANCES (UNLESS SPECIFIED)		DIMENSION STYLE	SCALE	DESIGN UNITS	THIRD ANGLE PROJECTION
	$\nabla = 0$	mm	INCH	MM/IN	1:2	METRIC	
	$\nabla = 0$	4 PLACES ±	±	DRAWN BY DATE	TITLE		
	$\nabla = 0$	3 PLACES ±	±	EL IN 2013/09/24	SMB JACK, FAKRA,R/A		
	2 PLACES ±	±	CHECKED BY DATE	PCB 50 OHMS T&R			
	1 PLACE ±	±	JOANNE 2013/09/24	SMB-J/PCB/RA			
	0 PLACE ±	±	APPROVED BY DATE	molex			
			YCHENG 2015/10/13	DOCUMENT NO.			
				SD-73403-650			
				SHEET NO.			
				4 OF 5			
				THIS DRAWING CONTAINS INFORMATION THAT IS PROPRIETARY TO MOLEX INCORPORATED AND SHOULD NOT BE USED WITHOUT WRITTEN PERMISSION			

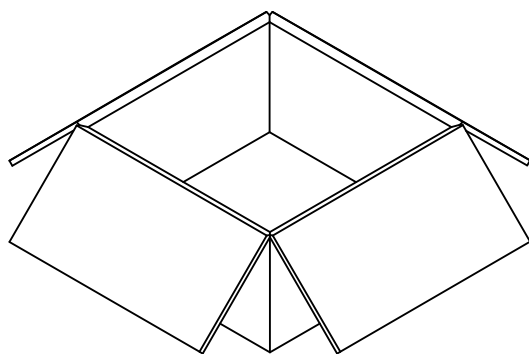
1b_frame_C_P_AM_T Rev. G 2012/01/11 12 11 10 9 8 7 6 5 4 3 2 1



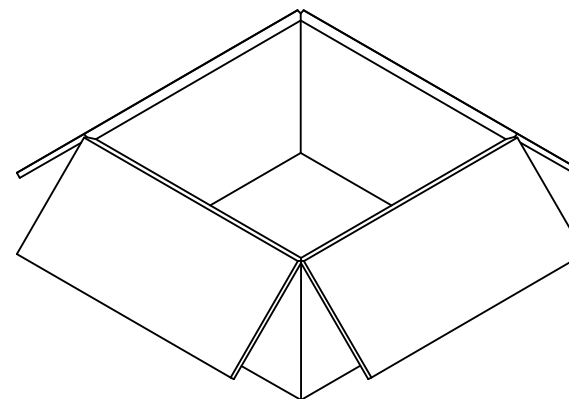
73403-650*



250 SET PER 13" REEL



1000 SET PER INNER
CARTON BOX
343 X 343 X 188 REF.



1000 SET PER OUTER
CARTON BOX
394 X 391 X 212 REF.

SEE SHEET 1 EC NO: URF-2016-0255 DRW: ELIN 2013/09/24 CHKD: APPR: YCHENG 2015/10/13	DESCRIPTION REV:	QUALITY SYMBOLS	GENERAL TOLERANCES (UNLESS SPECIFIED)		DIMENSION STYLE	SCALE	DESIGN UNITS	THIRD ANGLE PROJECTION	
		▽=0	mm	INCH	MM/IN	1:1	METRIC		
		▽=0	4 PLACES ± --- ± ---	3 PLACES ± --- ± ---	DRAWN BY	DATE	TITLE		
		▽=0	2 PLACES ± --- ± ---	1 PLACE ± --- ± ---	ELIN	2013/09/24	SMB JACK, FAKRA,R/A PCB 50 OHMS T&R SMB-J/PCB/RA		
		0 PLACE ± --- ± ---	ANGULAR ± 2 °		CHECKED BY	DATE	mox DOCUMENT NO. SD-73403-650 SHEET NO. 5 OF 5		
	DRAFT WHERE APPLICABLE MUST REMAIN WITHIN DIMENSIONS		JOANNE	2013/09/24					
					APPROVED BY	DATE			
					YCHENG	2015/10/13			
					MATERIAL NO.				
					SEE SHEET 2				
					THIS DRAWING CONTAINS INFORMATION THAT IS PROPRIETARY TO MOLEX INCORPORATED AND SHOULD NOT BE USED WITHOUT WRITTEN PERMISSION				