

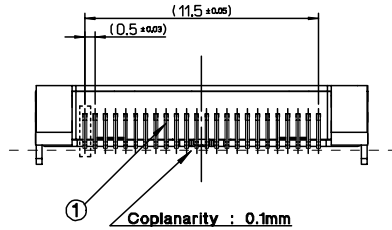
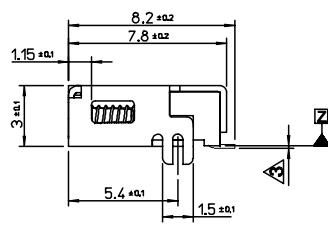
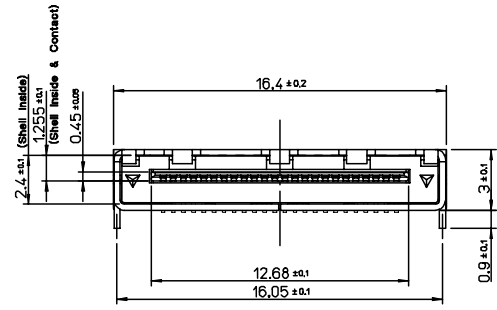
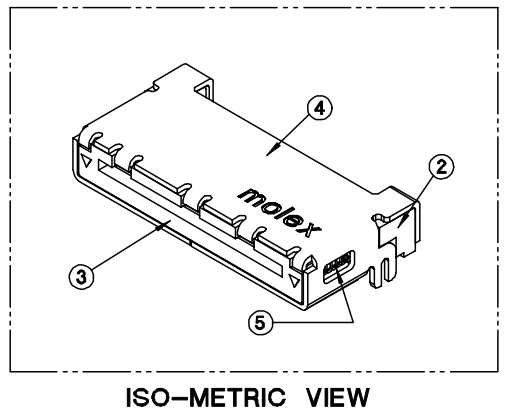
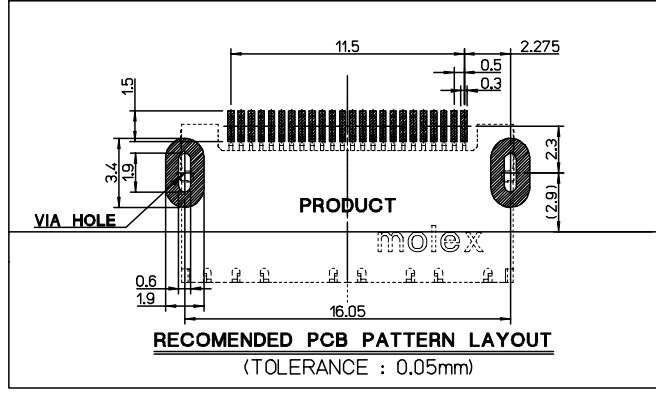
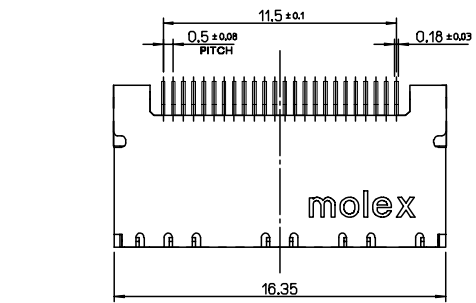
DWG. NO. SD-49045-001

SIMILAR ITEM

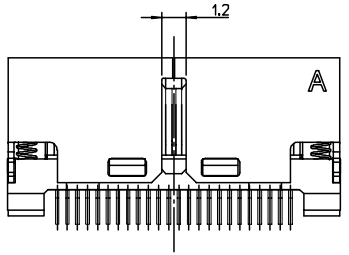
PROJECT NO.

B

DO NOT SCALE DRAWING DIMENSION IN METRIC



Coplanarity : 0.1mm



**NOTES**

1. MATERIALS: SEE TABLE 2
2. FINISHES: SEE TABLE 2
3. ALIGNMENT OF SOLDER TAILS FROM Z: UPPER DIRECTION 0.05 MAX. LOWER DIRECTION 0.1 MAX.
4. COPLANARITY OF SOLDER TAILS : 0.1mm MAX.
5. PRODUCT SPECIFICATION : PS-49045-001
6. PACKAGING SPECIFICATION : PK-49045-001

**TABLE 1**

SILVER	490450016	49045-0016
BLACK	490450011	49045-0011
COLOR	MATERIAL NO.	ENGINEERING NO.

**TABLE 2**

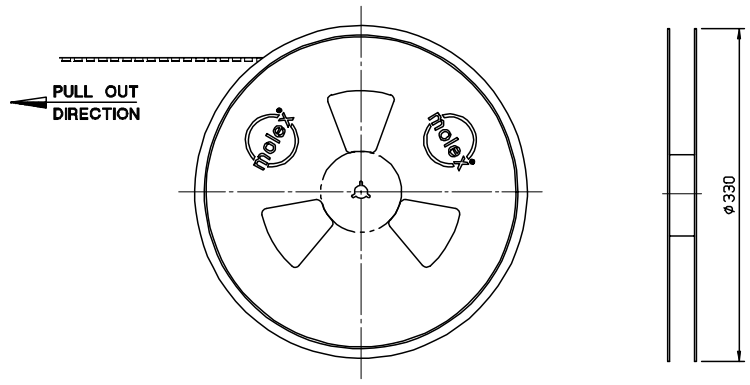
5	SPRING	STAINLESS STEEL	NONE
4	METAL SHELL	STAINLESS STEEL	NICKEL
3	SHUTTER	POLY AMIDE UL94V-0	BLACK / NATURAL
2	HOUSING	POLY AMIDE UL94V-0	BLACK COLOR
1	CONTACT TERMINAL	COPPER ALLOY	SELECTIVE GOLD
NO.	DESCRIPTION	MATERIAL	FINISH

<b>REVISED</b>	ECN NO. KOR2007-0007 DRWN: E.S.JUNG 06/07/24 CHK: S.H.JOO APPR: S.J.SEH	DESCRIPTION	QUALITY SYMBOLS	GENERAL TOLERANCES: (UNLESS SPECIFIED)	SCALE	DESIGN UNITS	DIMENSIONS:	SHT	REV
			MAJOR ▲ = CRITICAL ▽ =	mm INCH	4 : 1	mm INCH	THIRD ANGLE PROJECTION	mm INCH	mm ONLY
<b>C</b>	REV	DESCRIPTION	4 PLACES	±0	±	DRAWN BY & DATE	TITLE: <b>0.5 SHUTTER I/O CONN. 24P RECEPTACLE (WITHOUT BATTERY)</b>		
			3 PLACES	±0.1	±	E.S.JUNG 05/07/19			
			2 PLACES	±0.1	±	CHECKED BY & DATE	MOLEX INCORPORATED		
			1 PLACE	±0.2	±	S.H.JOO			
			ANGULAR: ± 3°		APPROVED BY & DATE	MATERIAL NO. DRAWING NO. SHEET NO. <b>SEE TABLE 1 SD-49045-001 1 OF 2</b>			
			DRAFT WHERE APPLICABLE MUST REMAIN WITHIN DIMENSIONS		S.J.SEH				
			THIS DRAWING CONTAINS INFORMATION THAT IS PROPRIETARY TO MOLEX INCORPORATED AND SHOULD NOT BE USED WITHOUT WRITTEN PERMISSION.		KOREA			MX-A3	

DWG. NO. SD-49045-001  
 SIMILAR ITEM  
 PROJECT NO.  
 DO NOT SCALE DRAWING DIMENSION IN METRIC

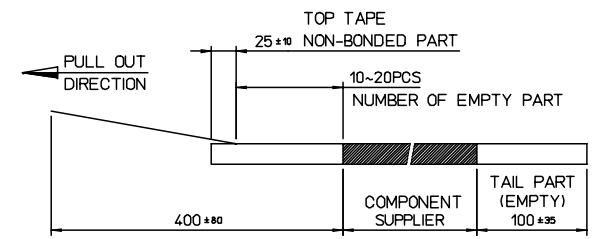
8 7 6 5 4 3 2 1

F  
 E  
 D  
 C  
 B  
 A

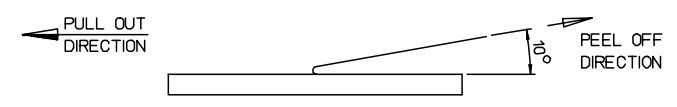


**NOTES**

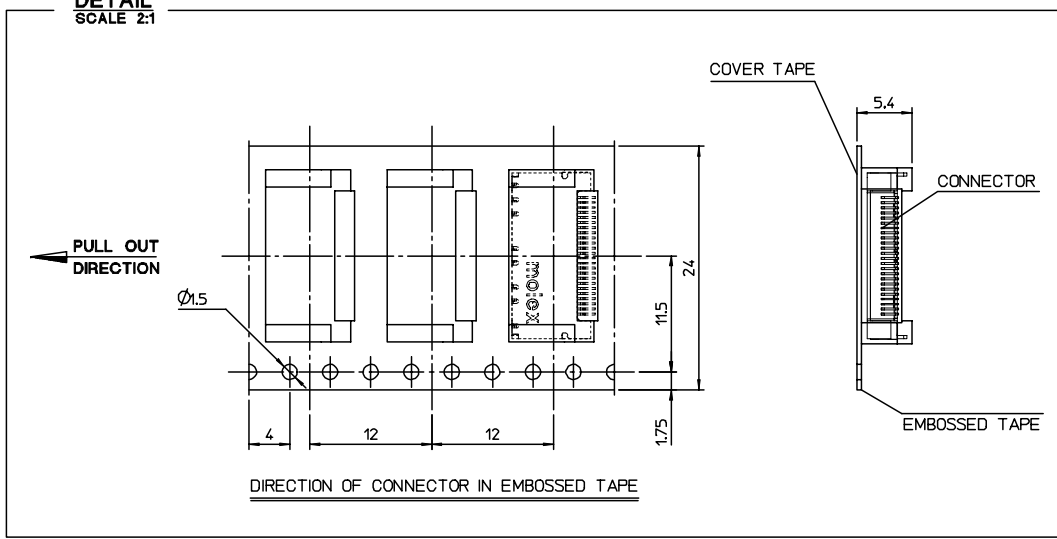
1. QUANTITY OF CONNECTORS : 1,000PCS/REEL
2. LEAD LENGTH



3. PEELING OFF FORCE OF COVER TAPE : 0.1N ±0.59N(10.2±60GF)  
 (PEELING DIRECTION AS SHOW IN FOLLOW FIG.)  
 - PEELING OFF SPEED : 300mm/Min.(Ref.)



**DETAIL SCALE 2:1**



B  
 C

<b>RELEASE</b> ECN NO. KOR2008-0074 DRWN: ES.JUNG 05/12/21 CHK: SH.JOO APPR: SJ.SEH	DESCRIPTION <b>A1</b>	QUALITY SYMBOLS	GENERAL TOLERANCES: (UNLESS SPECIFIED)	SCALE 4 : 1	DESIGN UNITS <input checked="" type="checkbox"/> mm <input type="checkbox"/> INCH	DIMENSIONS: <input type="checkbox"/> mm <input type="checkbox"/> INCH <input checked="" type="checkbox"/> mm ONLY	SHT REV	
		MAJOR =						
		CRITICAL =						

8 7 6 5 4 3 2 1 KOREA MX-A3