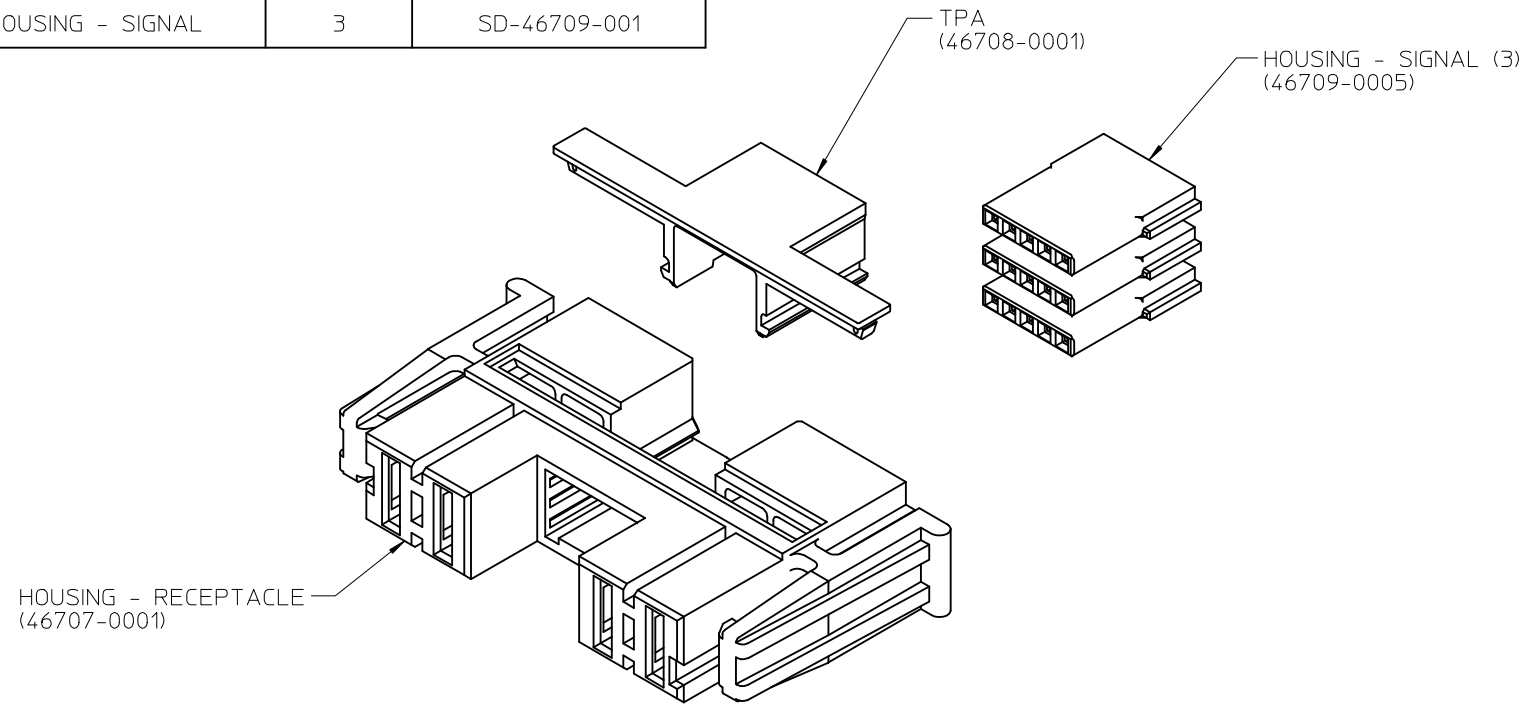


BILL OF MATERIALS

| MATERIAL NUMBER | DESCRIPTION          | QTY | SALES DRAWING |
|-----------------|----------------------|-----|---------------|
| 46710-9000      | TPA                  | 1   | SD-46708-001  |
|                 | HOUSING - RECEPTACLE | 1   | SD-46707-001  |
|                 | HOUSING - SIGNAL     | 3   | SD-46709-001  |

NOTE:  
1. FOR ADDITIONAL INFORMATION ON COMPONENTS, SEE INDIVIDUAL SALES DRAWINGS PER CHART



|   |                        |                                       |                   |  |                    |   |                                       |
|---|------------------------|---------------------------------------|-------------------|--|--------------------|---|---------------------------------------|
| RELEASED<br>EC NO: UCP2009-2155<br>DRWN: JOUILLES 2009/03/02<br>CHKD: 2009/03/02<br>APPR: APATEL 2009/03/04 | QUALITY SYMBOLS        | GENERAL TOLERANCES (UNLESS SPECIFIED) |                   | DIMENSION STYLE                                      | SCALE              | DESIGN UNITS  | THIRD ANGLE PROJECTION                |
|   | F=0<br>C=0<br>P=0      | mm                                    | INCH              | MM/IN  | 2:1                | METRIC  | KIT<br>POWER/SIGNAL MIX<br>TEN60 WIRE |
|   |                        | 4 PLACES ± --- ± ---                  |                   | DRAWN BY DATE  | TITLE              |   |                                       |
|   |                        | 3 PLACES ± --- ± .008                 |                   | JOUILES 2009/02/25                                   | MOLEX INCORPORATED |   |                                       |
|   | 2 PLACES ± 0.20 ± .012 |                                       | CHECKED BY DATE   | DOCUMENT NO.   |                    | SD-46710-900  | SHEET NO.<br>1 OF 1                   |
|   | 1 PLACE ± 0.30 ± ---   |                                       | MDATA 2009/02/26  | MATERIAL NO.   |                    |   |                                       |
|   |                        |                                       | APPROVED BY DATE  | SEE CHART  |                    | THIS DRAWING CONTAINS INFORMATION THAT IS PROPRIETARY TO MOLEX INCORPORATED AND SHOULD NOT BE USED WITHOUT WRITTEN PERMISSION |                                       |
|   |                        |                                       | APATEL 2009/02/27 |  |                    |   |                                       |
|   |                        |                                       |                   | DRAFT WHERE APPLICABLE MUST REMAIN WITHIN DIMENSIONS |                    |   |                                       |