

MATERIAL :
 Housing : Zinc alloy nickel plated
 Coupling Nut : Aluminium alloy, nickel plated
 Insert : PA 66 UL94 V0
 Coupling Spring : Stainless steel
 O'seal : Nitril
 Interfacial gasket (female connector only): thermoplastic elastomer

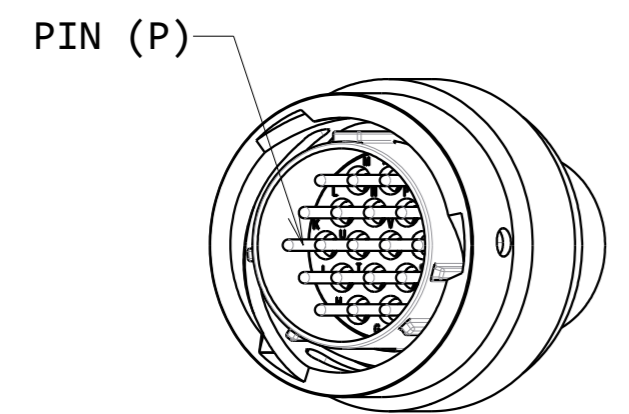
PERFORMANCE CHARACTERISTICS :
 Operating temperature : -40°C up to 105°C
 Insulation resistance : 5000 MΩmin
 Withstanding voltage: 1500Vrms
 Corrosion salt spray: 48 hours or 96 hours (specif. 02)
 Durability : 500 matings and unmatings
 Sealing IP67 / IP68 3 bar/30min as per IEC60529
 Sealing IP69K as per DIN40050
 ROHS compliant

NOTES :
 -1-Contact identification and orientation of connector, refer to:
 UT0-CONTACT-L-C01 (Male)
 UT0-CONTACT-L-C02 (Female)
 -2-Connector blocks accept size #20 male or female contacts
 (strip formed, machined crimp and spill)
 -3-Contact to be ordered separately refer to : UT0 catalog
 -4-This drawing covers p/n termination : -H / -H02
 -5-Packaging: connector is individually packed in a plastic bag

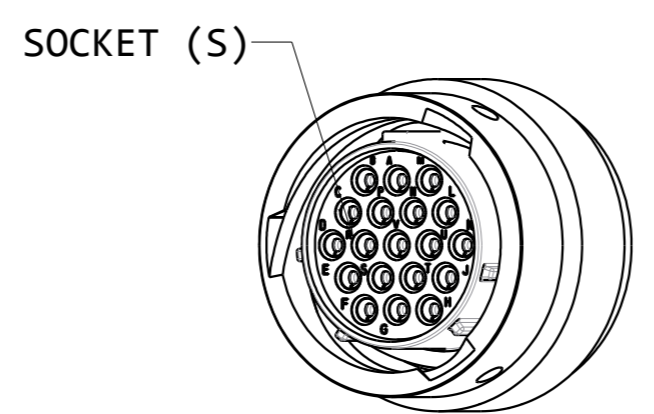
Part Number (Note 4)	Thread A for information	Ø B ±0.15	Ø C ±0.20	D Max		Ø E ±0.20	
				Male	Female		
UT0W6106--H-	9/16-24 UNEF Class 2A	20.00	21.80	33.00		10.15	
UT0W61210--H-	11/16-24 UNEF Class 2A	23.60	26.10			13.10	
UT0W61419--H-	13/16-20 UNEF Class 2A	26.80	29.30			25.50	16.40
UT0W61626--H-	15/16-20 UNEF Class 2A	30.00	32.45			19.50	
UT0W61832--H-	1" 1/16-18 UNEF Class 2A	33.30	35.25			21.65	
UT0W62041--H-	1" 3/16-18 UNEF Class 2A	36.55	38.80	27.50		24.80	
UT0W62255--H-	1" 5/16-18 UNEF Class 2A	39.50	42.00			27.99	
UT0W62461--H-	1" 7/16-18 UNEF Class 2A	42.60	45.05			31.16	

Plug UT0W :	Type 6	UT0W6	18	32	P	W	H	02
Shell size :								
Insert arrangement :	See Note 1							
Contact :	P : Male S : Female							
Insert polarisation :	No letter : Standard version W, X, Y, Z : Different orientation							
Sealing version :	-H							
Specification :	No letter : Standard version 02 : Coupling nut is black anodized							

MALE CONNECTOR



FEMALE CONNECTOR



A	11/05/2015	CREATION OF THE DRAWING		24021
ISS	DATE	Latest modification - by: COUTY L.		MOD N°
Designed by: CHANTOISEAU P.		Date : 12/11/2013		CUSTOMER DRAWING
TITLE		PLUG UT0W PLUG CONNECTOR		
Scale	3/2	General linear Tolerances: ± 0.1	NPRDS / PROJECT UT0W	
SOURIAU		WWW.SOURIAU.COM		This document is the property of SOURIAU It must not be reproduced or communicated without permission
FORMAT	SOURIAU DRG N° C002-UT06-A			SHEET 1 / 1