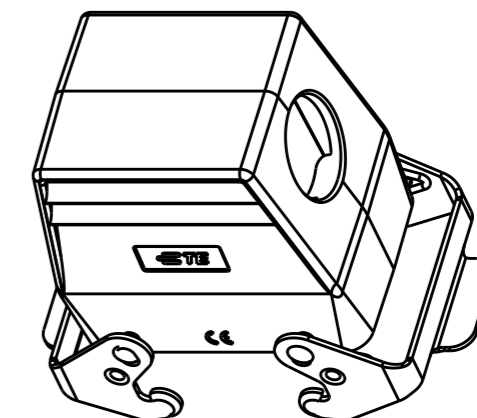
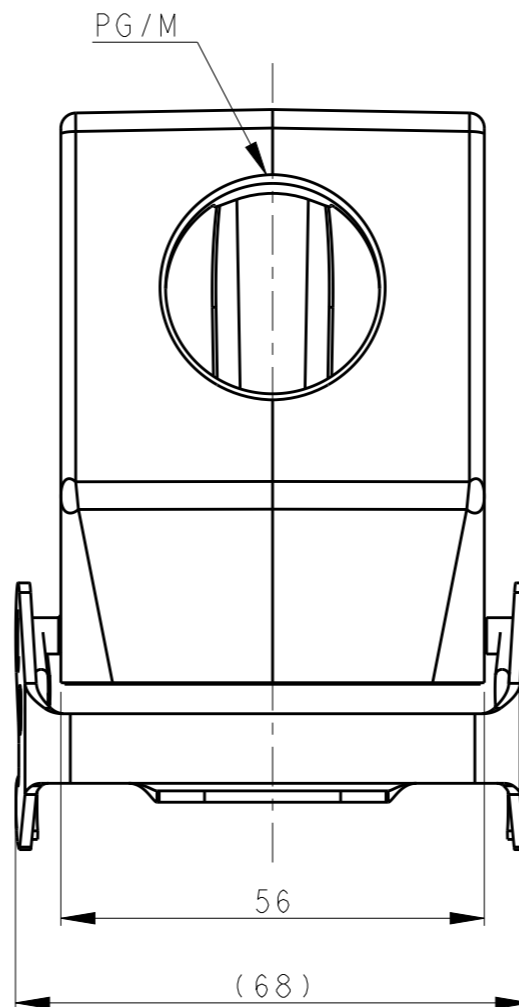
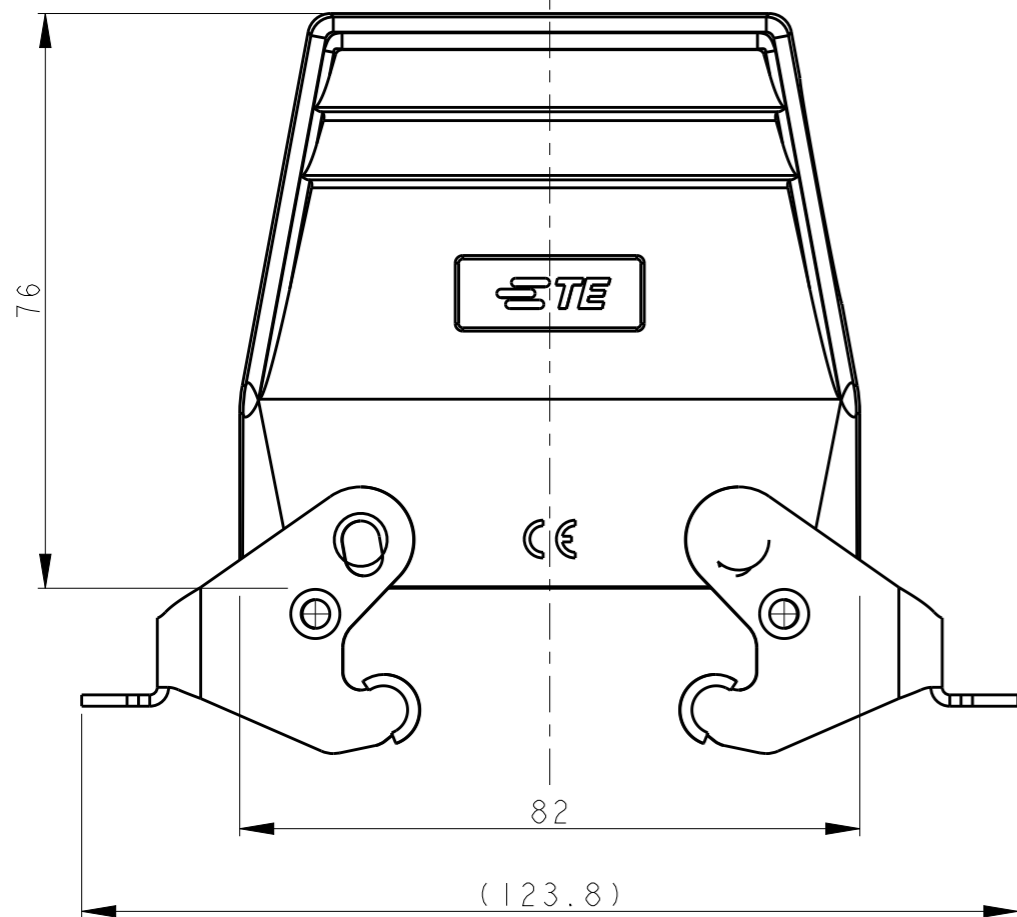


REVISIONS

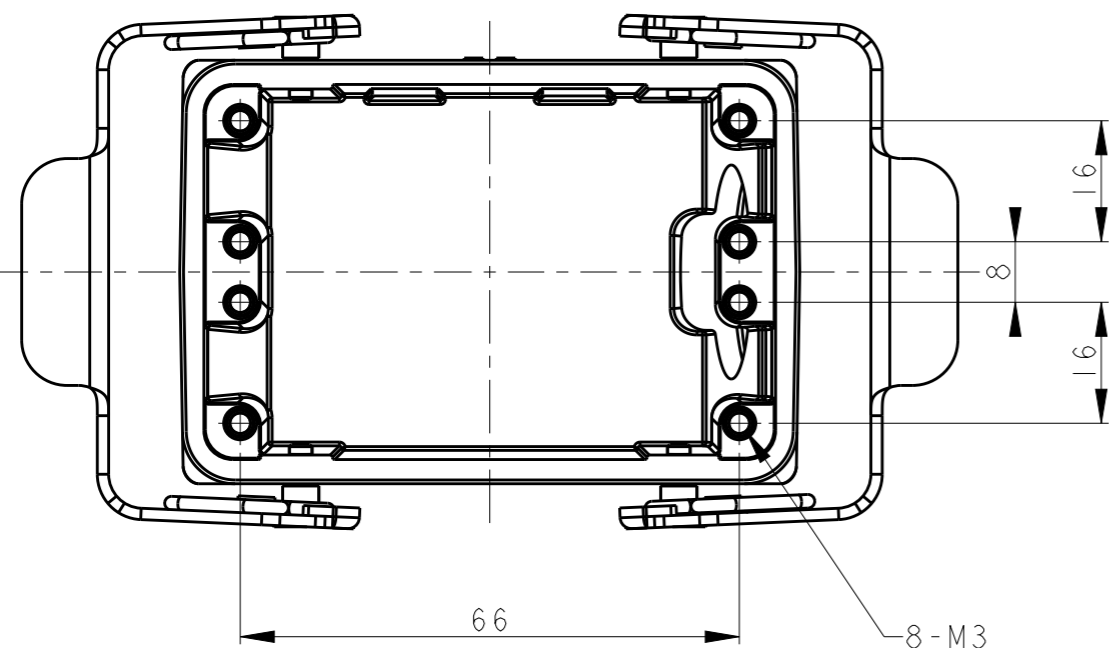
P	LTR	DESCRIPTION	DATE	DWN	APVD
	A	INITIAL RELEASE	22APR2015	DL	CW
	B	ECR-20-010477	28DEC2020	BS	CW




SCALE 1:2

NOTES:
 1. TECHNICAL CHARACTERISTICS:
 BODY MATERIAL: DIE CAST ALUMINIUM ALLOY
 SURFACE TREATMENT: POWDER-COATED, GRAY
 DEGREE OF PROTECTION: IP65 (MATED)

注释:
 1. 技术参数:
 主体材料: 铝合金
 表面处理: 粉末喷涂, 灰色
 防护等级: IP65(配合)



T1359320121-000	H32A-TSB-PG21	PG21
T1359320132-000	H32A-TSB-M32	M32
ASSEMBLY PART NUMBER	ASSEMBLY PART DESCRIPTION	PG/M

THIS DRAWING IS A CONTROLLED DOCUMENT.		DWN 22APR2015 DAVID LI	 TE Connectivity			
DIMENSIONS: mm		CHK 22APR2015 CHRIS WANG			NAME H32A-TSB-PG/M	
TOLERANCES UNLESS OTHERWISE SPECIFIED:		APVD 22APR2015 XU XIANG				
0 PLC ±- 1 PLC ±- 2 PLC ±- 3 PLC ±- 4 PLC ±- ANGLES ±-		PRODUCT SPEC 108-137010				
MATERIAL		APPLICATION SPEC 114-137010	SIZE A3	CAGE CODE -	DRAWING NO C-T13593201XX000	RESTRICTED TO -
FINISH		WEIGHT -	SCALE 1:1		SHEET 1 OF 1	REV B
		Customer Drawing				