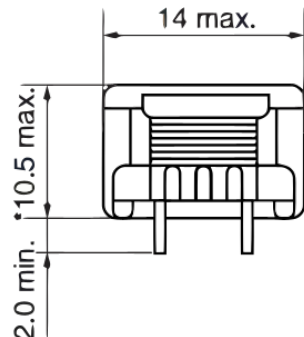


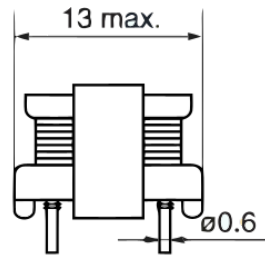
## ST-101F2

Aliases (UDLST00101F200)

KEMET, ST, DC Line Filters, Common Mode



\*11.5 max. with ST-101F4

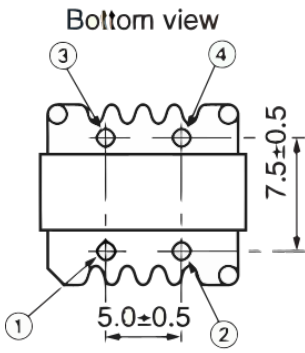


### General Information

|               |  |
|---------------|--|
| Series        | ST   |
| Style         | Through-Hole   |
| RoHS          | Yes  |
| Miscellaneous | AM Band, Frequency Range: 0.5 To 7 MHz, Impedance: 40000 Ohms (600 kHz). |

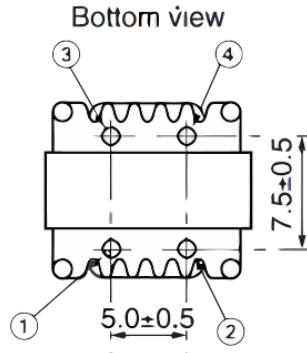
### Specifications

|                   |           |
|-------------------|-----------|
| Voltage DC        | 50 VDC    |
| Temperature Range | -20/+75°C |
| DC Resistance     | 2.7 Ohms  |



(ST-101F2)

Click [here](#) for the 3D model.



(ST-101F4)

### Dimensions

|    |                |
|----|----------------|
| L  | 14mm MAX       |
| W  | 13mm MAX       |
| H  | 10.5mm MAX     |
| LL | 2mm MIN        |
| S  | 7.5mm +/-0.5mm |

### Packaging Specifications

|                    |           |
|--------------------|-----------|
| Packaging          | Tray, Box |
| Packaging Quantity | 1600      |
| Component Weight   | 2.9 g     |

Statements of suitability for certain applications are based on our knowledge of typical operating conditions for such applications, but are not intended to constitute - and we specifically disclaim - any warranty concerning suitability for a specific customer application or use. This information is intended for use only by customers who have the requisite experience and capability to determine the correct products for their application. Any technical advice inferred from this information or otherwise provided by us with reference to the use of our products is given gratis, and we assume no obligation or liability for the advice given or results obtained.