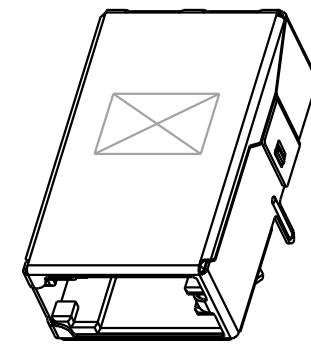
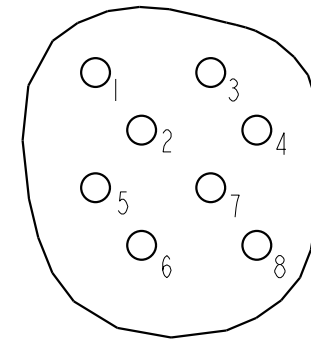
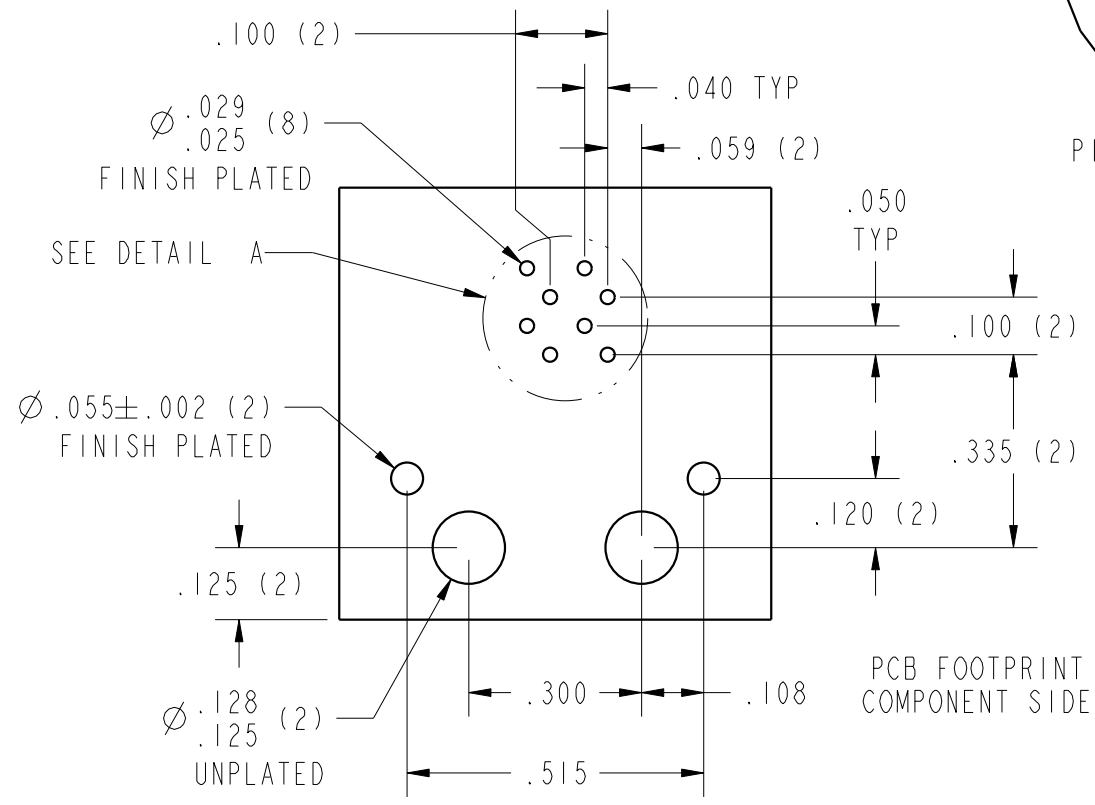
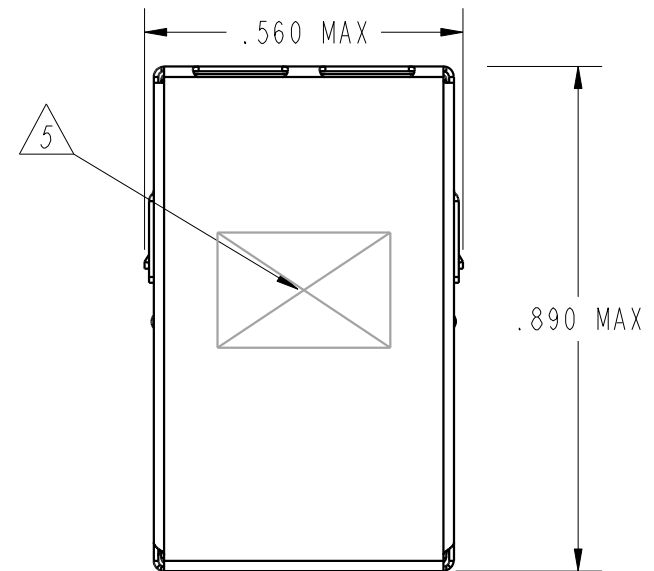


DATE	REV.	ECN	APP'D BY
2-23-15	A1	10263	ADB
3-30-16	A2	10654	TRM



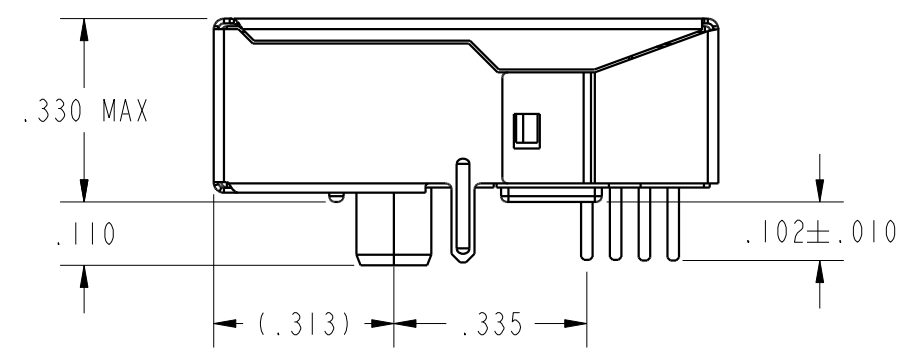
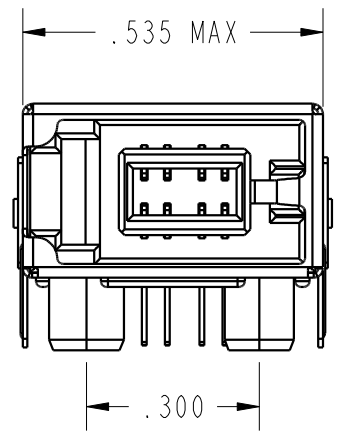
PINOUT NUMBERING
DETAIL A
SCALE 6.000



PCB FOOTPRINT
COMPONENT SIDE

NOTES:

- CONNECTOR MATERIALS
HOUSING: THERMOPLASTIC UL94 V-0
CONTACTS/SHIELD: COPPER ALLOY
SHIELD PLATING: NICKEL
CONTACT PLATING: SELECTIVE GOLD OVER PALADIUM-NICKEL
- REFER TO PRODUCT SPECIFICATION PR036-01.
- WAVE SOLDER COMPATIBLE TO 260°C
- PoE+ CAPABLE
- LOGO, PART NUMBER, AND DATE CODE LOCATED IN THIS APPROXIMATE AREA.



30 μIN Pd-Ni, FLASH Au	RJP5-10-0002
CONTACT PLATING IN MATING AREA	PART NUMBER

THIRD ANGLE PROJECTION	
DO NOT SCALE DRAWING DRAWING IS SUBJECT TO CHANGE WITHOUT NOTICE	
DIMENSIONS: INCHES [METRIC]	<p>THIS DRAWING AND THE SUBJECT MATTER SHOWN THEREON ARE CONFIDENTIAL AND THE PROPRIETARY PROPERTY OF STEWART CONNECTOR AND SHALL NOT BE REPRODUCED, COPIED, OR USED IN ANY MANNER WITHOUT PRIOR WRITTEN CONSENT OF STEWART CONNECTOR. ONE OR MORE U.S. PATENTS MAY APPLY TO THIS PRODUCT. FOR DETAILS, PLEASE VISIT: HTTP://BELFUSE.COM/STEWART/STEWART_PATENTS/</p>
UNLESS OTHERWISE SPECIFIED TOLERANCES ARE ±.005 [0.13] ANGLES ARE ±1°	
SHEET NO. 1 OF 1	

stewart
 CONNECTOR
 a bel group

11118 Susquehanna Trail South
 Glen Rock, PA 17327-9199
 (717) 235-7512
<http://www.stewartconnector.com>

RJ POINT FIVE, JACK, HORIZONTAL, SINGLE PORT, SHIELDED, NF	
DRN BY: SAW	DATE 6-30-11
APPD BY: JLB	DATE 12-20-11
DWG. NO. CT999042	REV. A2

RJ POINT FIVE IS A
TRADEMARK OF
TE CONNECTIVITY
USED HERE BY PERMISSION

