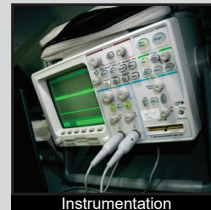
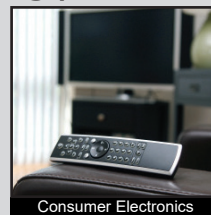


LP11 SERIES PUSHBUTTON SWITCH

ANTI-VANDAL SWITCHES
 DETECTOR SWITCHES
 DIP SWITCHES
 KEYLOCK SWITCHES
 NAVIGATION SWITCHES
PUSHBUTTON SWITCHES
 ROCKER SWITCHES
 ROTARY SWITCHES
 SLIDE SWITCHES
 SNAP ACTION SWITCHES
 TACTILE SWITCHES
 TOGGLE SWITCHES
 CAP OPTIONS



APPLICATIONS / MARKETS



RoHS

SPECIFICATIONS

Electrical Rating: 100mA @ 12VDC
Contact Arrangement: SPST
Electrical Life: 1,000,000 Cycles
Contact Resistance: 200mΩ Max. initial
Insulation Resistance: 100 MΩ Min. @ 500VDC
Dielectric Strength: 500VAC for 1 Minute
Travel: 4.50mm (Momentary)
 3.50mm (Latching)
Actuation Force: 160 gf (Momentary)
 200 gf (Latching)
Operating Temperature: -40°C to 85°C

FEATURES & BENEFITS

- RGB or multiple bi-color illumination options
- Tactile or non tactile feel
- Multiple cap sizes
- Long electrical life
- Latching and momentary functions

PART NUMBER CONFIGURATOR

Series	Function	Circuit	Actuators	Cap	Cap Configuration	LED Color Options*
<input type="text" value="LP11"/>	<input type="text" value="OA"/> <input type="text" value="EE"/>	<input type="text" value="1"/>	<input type="text" value="N"/> <input type="text" value="T"/>	<input type="text" value="A"/> <input type="text" value="B"/> <input type="text" value="C"/>	<input type="text" value="S"/>	<input type="text" value="RR"/> <input type="text" value="RG"/> <input type="text" value="RB"/> <input type="text" value="RY"/> <input type="text" value="RW"/> <input type="text" value="BB"/> <input type="text" value="BW"/> <input type="text" value="GG"/> <input type="text" value="GB"/> <input type="text" value="GW"/> <input type="text" value="YY"/> <input type="text" value="YG"/> <input type="text" value="YB"/> <input type="text" value="YW"/> <input type="text" value="WW"/> <input type="text" value="RGB"/>
LP11	OA - Momentary EE - Latching (Only using N Actuator Type)	1 - SPST	N - Non Tactile T - Tactile	A - 12mm square B - 15mm square C - 17.4mm square	S - Sculptured	RR - Red-Red RG - Red-Green RB - Red-Blue RY - Red-Yellow RW - Red-White BB - Blue-Blue BW - Blue-White GG - Green-Green GB - Green-Blue GW - Green-White YY - Yellow-Yellow YG - Yellow-Green YB - Yellow-Blue YW - Yellow-White WW - White-White RGB - Red-Green-Blue

* Please refer to individual part number drawings for LED specifications.

Specifications subject to change without notice 9.13.2018



E-SWITCH®

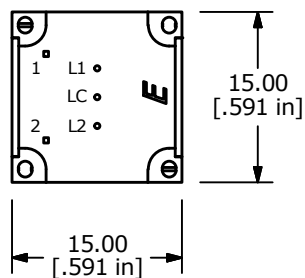
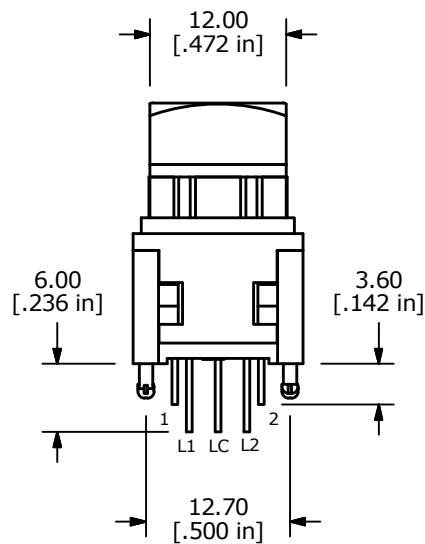
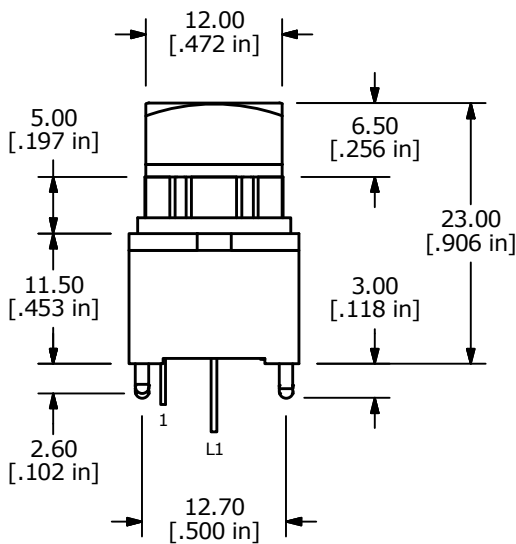
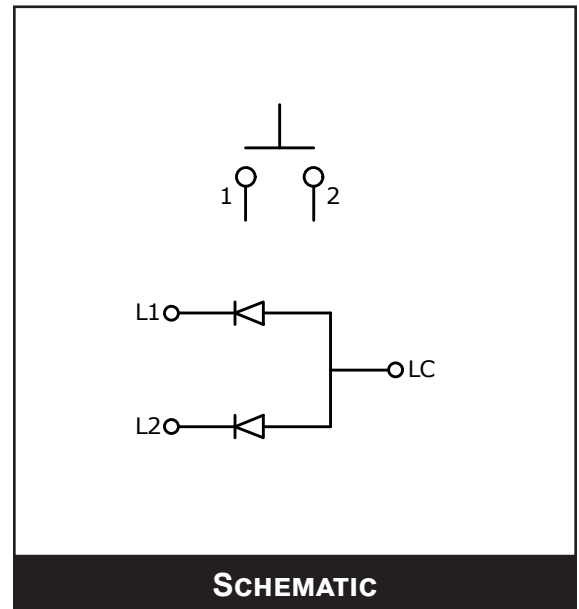
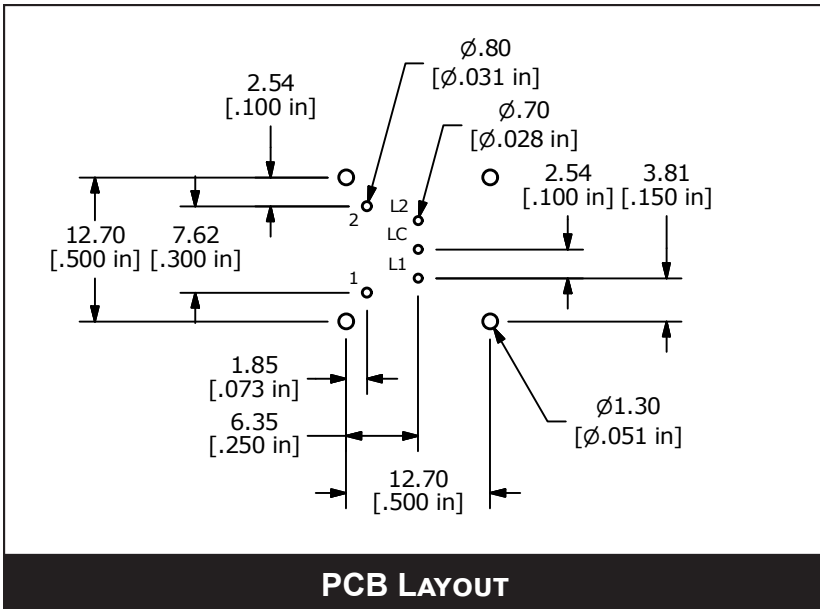
www.e-switch.com

800.867.2717

1

LP11 SERIES PUSHBUTTON SWITCH

BODY DIMENSIONS MOMENTARY LED



OA - MOMENTARY WITH A - 12MM CAP
LED ILLUMINATION



E-SWITCH®

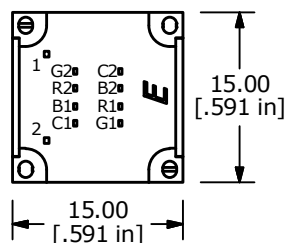
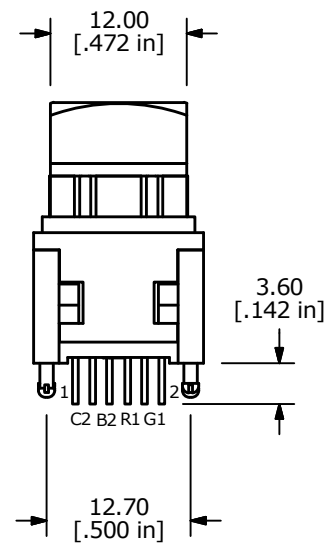
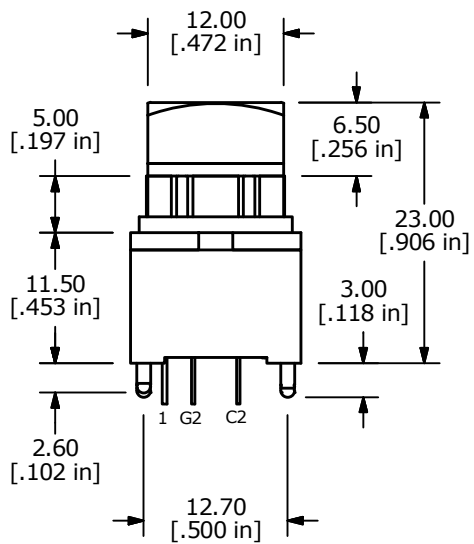
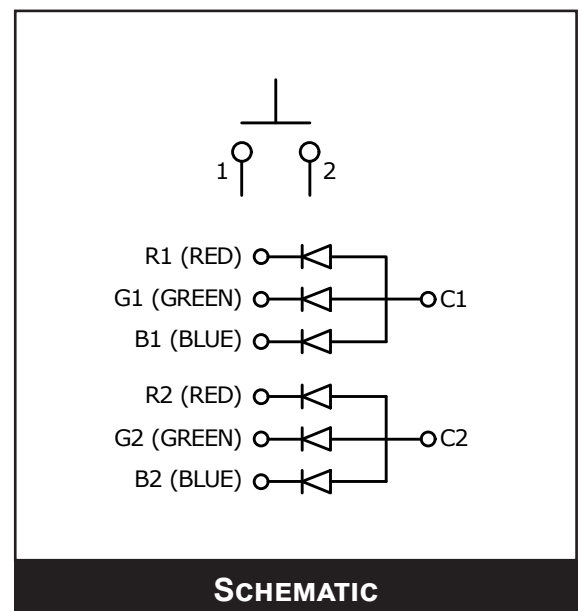
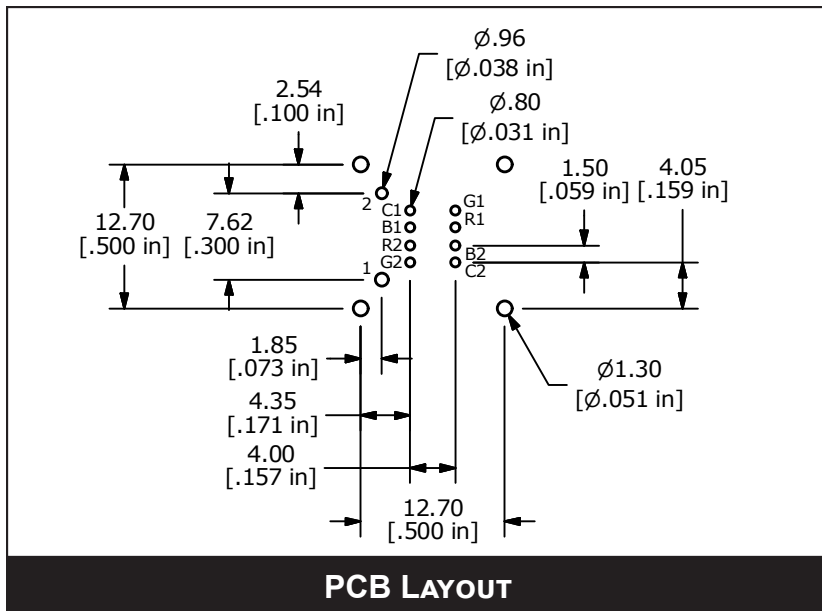
www.e-switch.com

800.867.2717

ANTI-VANDAL SWITCHES
DETECTOR SWITCHES
DIP SWITCHES
KEYLOCK SWITCHES
NAVIGATION SWITCHES
PUSHBUTTON SWITCHES
ROCKER SWITCHES
ROTARY SWITCHES
SLIDE SWITCHES
SNAP ACTION SWITCHES
TACTILE SWITCHES
TOGGLE SWITCHES
CAP OPTIONS

LP11 SERIES PUSHBUTTON SWITCH

BODY DIMENSIONS MOMENTARY RGB

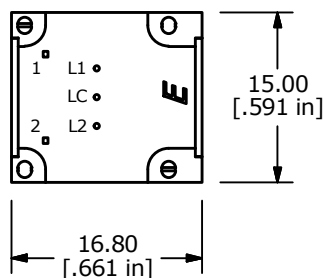
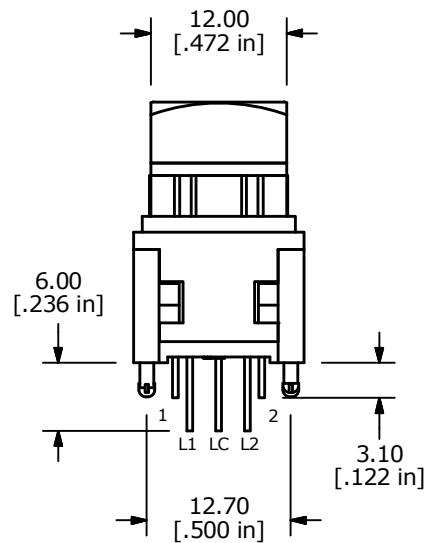
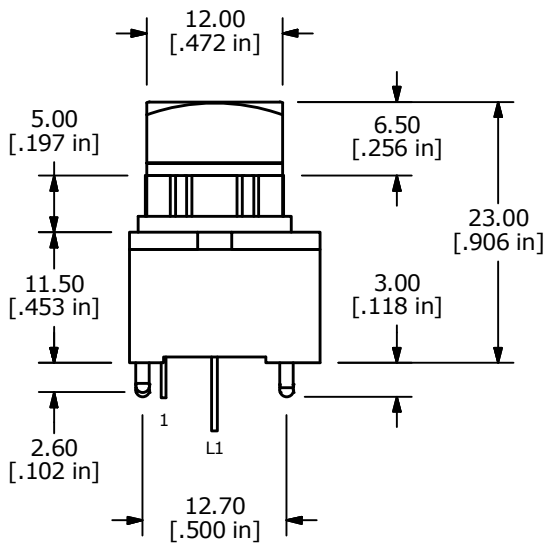
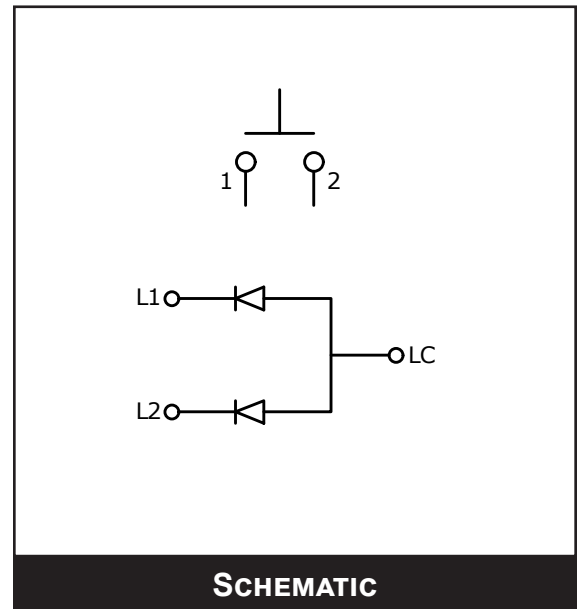
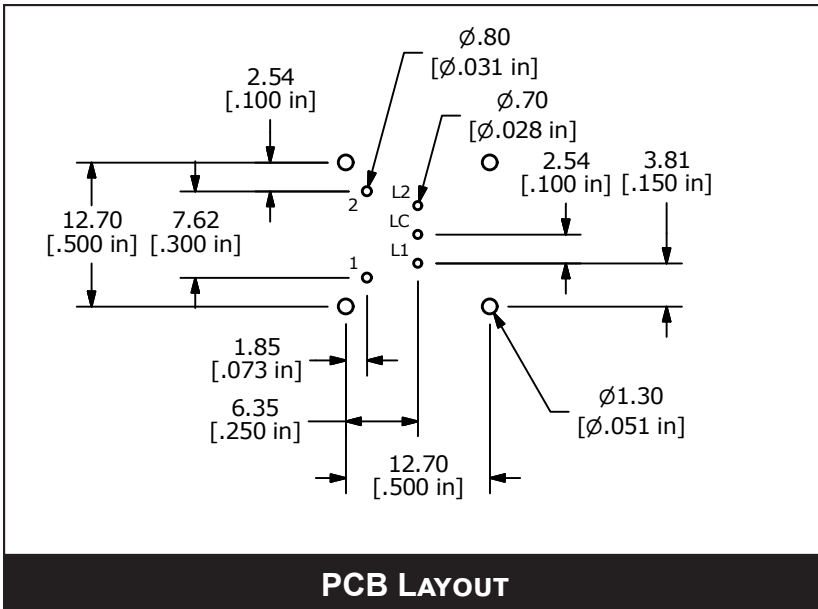


OA - MOMENTARY WITH A - 12MM CAP
RGB ILLUMINATION



LP11 SERIES PUSHBUTTON SWITCH

BODY DIMENSIONS LATCHING LED



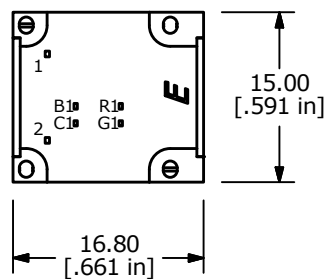
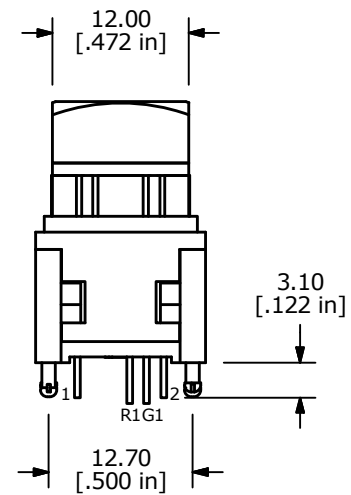
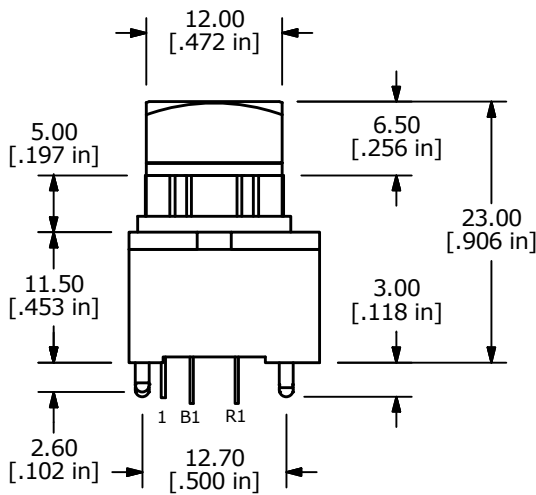
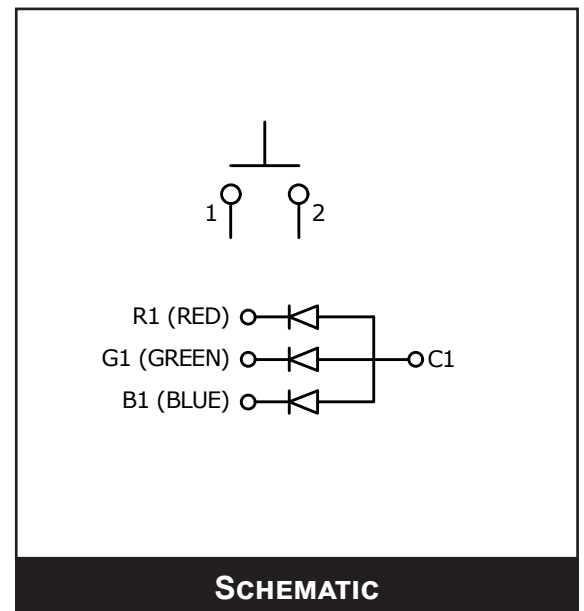
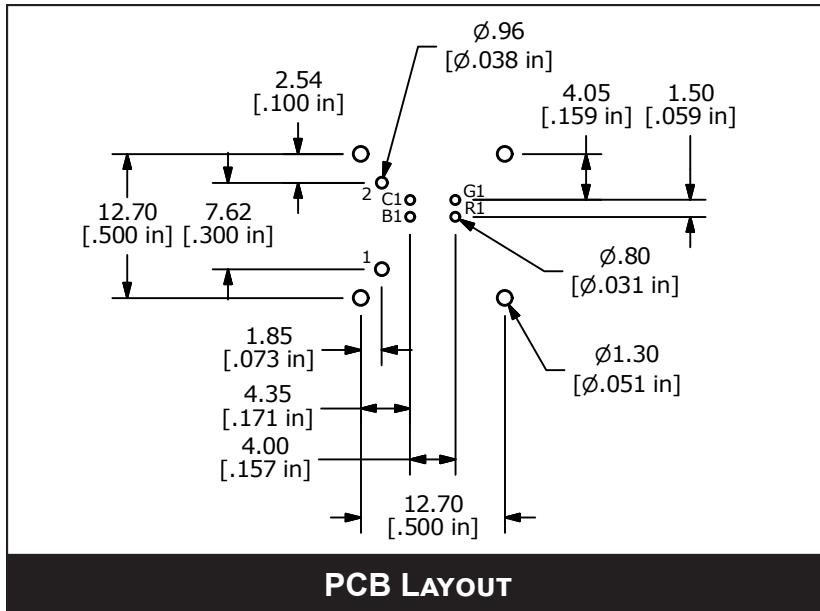
EE - LATCHING WITH A - 12MM CAP
LED ILLUMINATION



- ANTI-VANDAL SWITCHES
- DETECTOR SWITCHES
- DIP SWITCHES
- KEYLOCK SWITCHES
- NAVIGATION SWITCHES
- PUSHBUTTON SWITCHES**
- ROCKER SWITCHES
- ROTARY SWITCHES
- SLIDE SWITCHES
- SNAP ACTION SWITCHES
- TACTILE SWITCHES
- TOGGLE SWITCHES
- CAP OPTIONS

LP11 SERIES PUSHBUTTON SWITCH

BODY DIMENSIONS LATCHING RGB



**EE - LATCHING WITH A - 12MM CAP
RGB ILLUMINATION**



E-SWITCH®

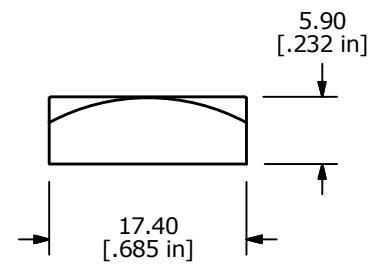
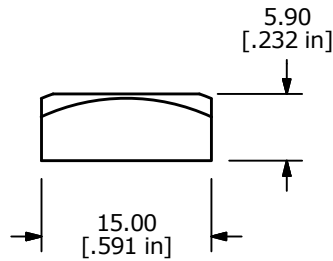
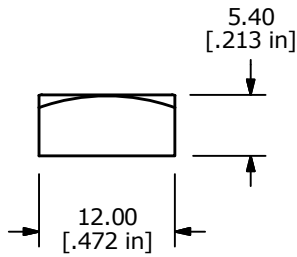
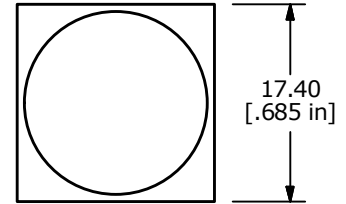
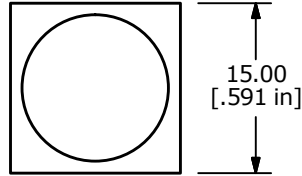
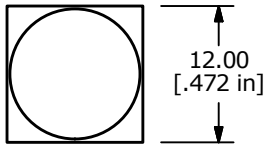
www.e-switch.com

800.867.2717

5

LP11 SERIES PUSHBUTTON SWITCH

CAP OPTIONS



A - 12MM CAP

B - 15MM CAP

C - 17.4MM CAP

ANTI-VANDAL SWITCHES
DETECTOR SWITCHES
DIP SWITCHES
KEYLOCK SWITCHES
NAVIGATION SWITCHES
PUSHBUTTON SWITCHES
ROCKER SWITCHES
ROTARY SWITCHES
SLIDE SWITCHES
SNAP ACTION SWITCHES
TACTILE SWITCHES
TOGGLE SWITCHES
CAP OPTIONS

