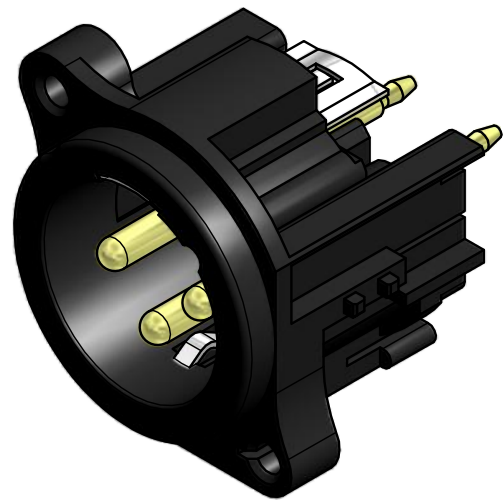
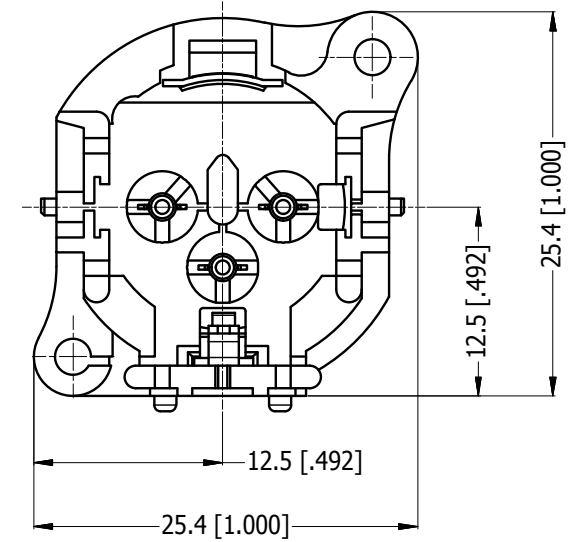
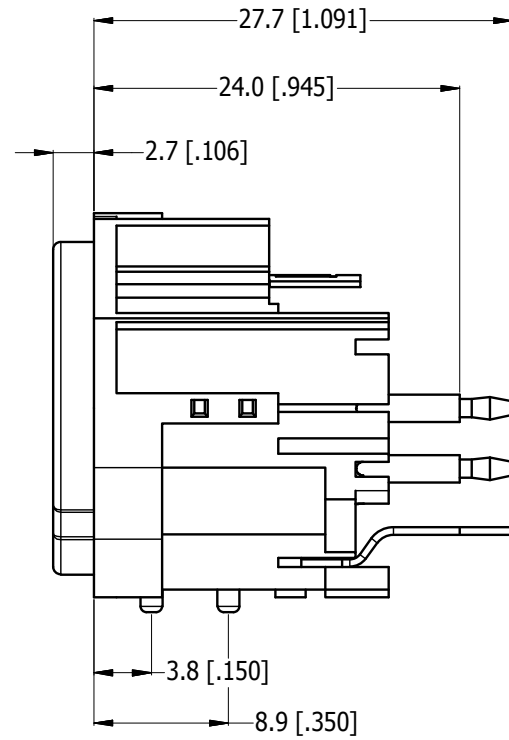
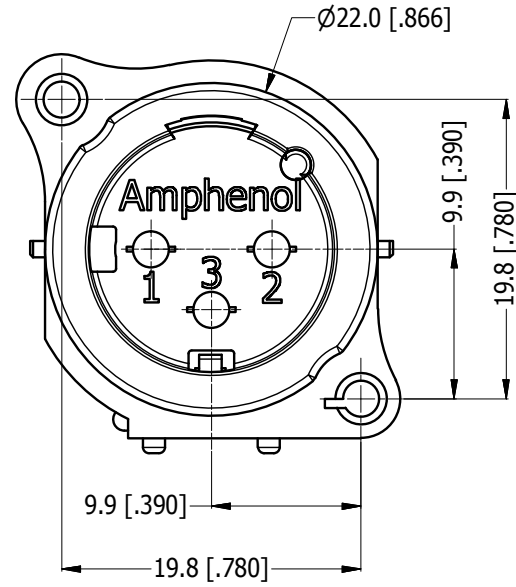
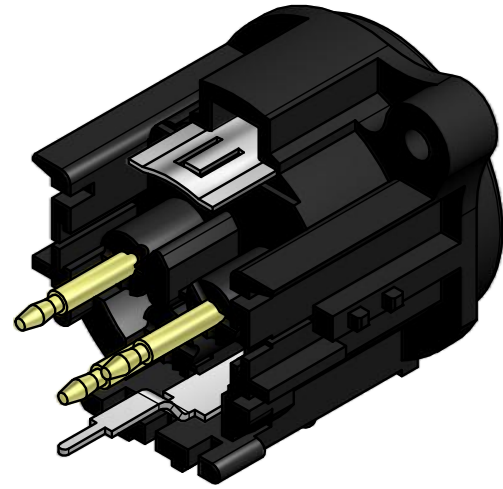
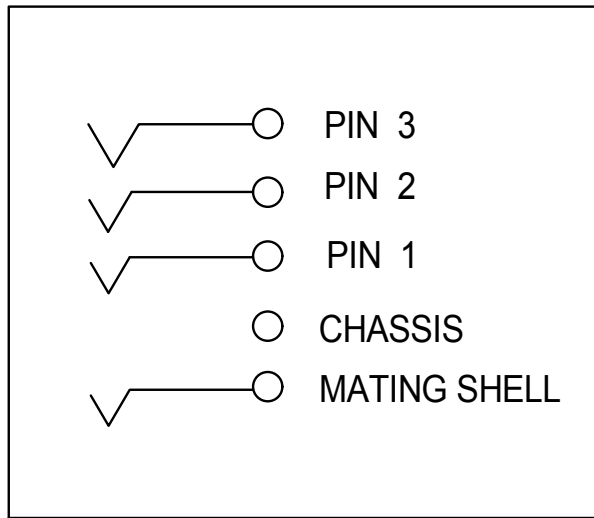


LEGEND = KEY PRODUCT CHARACTERISTICS

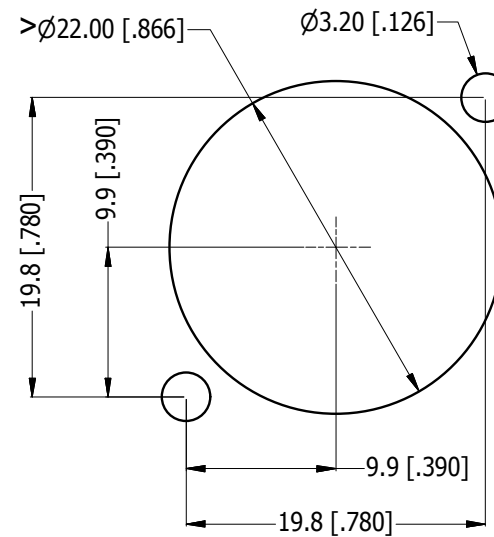
REVISION HISTORY				
REV	DESCRIPTION	DATE	BY	CHG/No
0	FIRST ISSUE	08/10/2014	MH	---



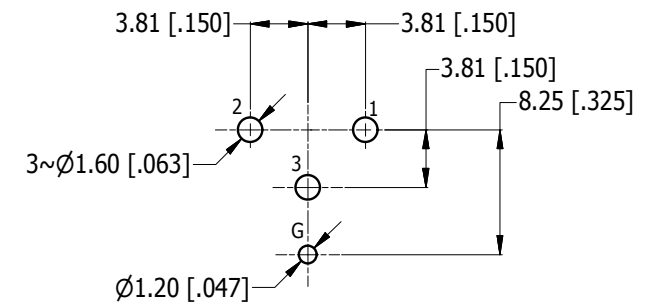
**ISO VIEWS**



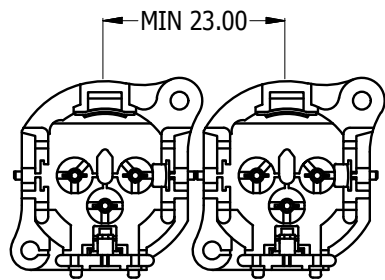
**SCHEMATIC CHART**



**PANEL CUT OUT  
REAR VIEW**



**PCB-LAYOUT  
COMPONENT SIDE  
TOLERANCE: ± 0.05mm [.002"]**



**MIN MOUNTING PITCH  
SCALE 1:1**

UNLESS OTHERWISE SPECIFIED TOLERANCE TO BE		THIS DOCUMENT IS THE PROPERTY OF AMPHENOL AUSTRALIA PTY. LTD. NO PART THEREOF MAY BE REPRODUCED AND USED WITHOUT THE PRIOR WRITTEN CONSENT OF THE OWNER				<b>Amphenol</b> Amphenol Australia Pty.Ltd, 22 Industry Blvd, Carrum Downs, VIC 3201	
LINEAR	ANGULAR	MATERIAL:	DRN: MH	DATE: 08/10/14	TITLE:	PART No:	
X ±0.5	X' ±1	<b>REFER TO COMPONENT</b>	CKD: M.H	DATE: 08/10/14	<b>AC3MAV-AU-PRE VERTICAL MALE CUSTOMER DRAWING</b>	<b>AC3MAV-AU-PRE</b>	
X.X ±0.1	X.X' ±30'	FINISH: <b>REFER TO COMPONENT</b>	APP'D: P.M	DATE: 08/10/14	DRAWING NO.	SHEET	
X.XX ±0.05	X.XX' ±15'	DO NOT SCALE	SCALE: <b>2:1</b>	SIZE: <b>A3</b>	CAD FILE 55011033000220	<b>55011033-000-2</b> 2/2	
DIMENSIONS IN MILLIMETRES		THIRD ANGLE PROJECTION					