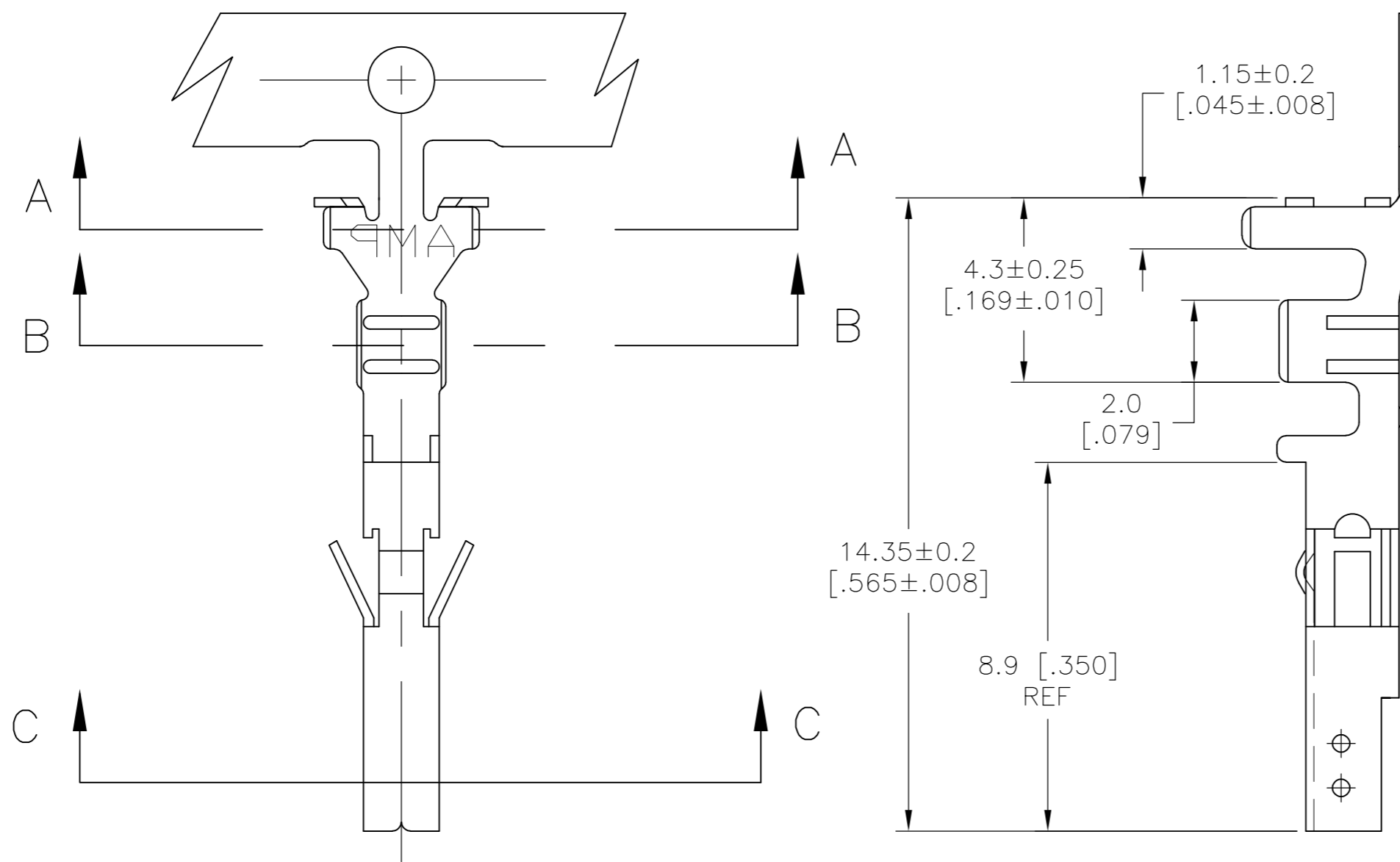
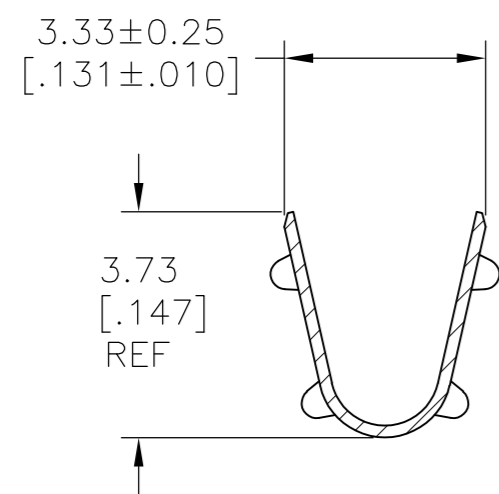


THIS DRAWING IS UNPUBLISHED. RELEASED FOR PUBLICATION  
 © COPYRIGHT - By - ALL RIGHTS RESERVED.

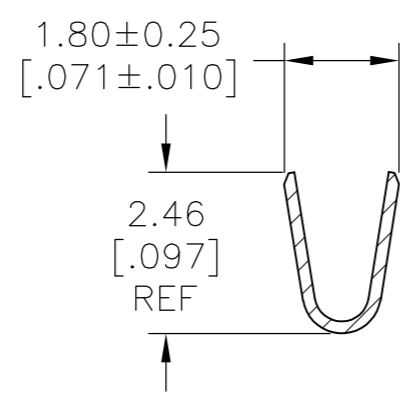
REVISIONS				
P	LTR	DESCRIPTION	DATE	APVD
A		FIRST RELEASED	15AUG2017	WH DZ



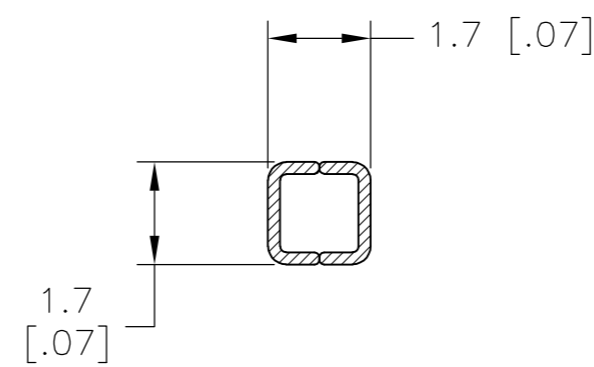
- 1 WIRE RANGE 0.3-0.82mm<sup>2</sup> [22-18 AWG]
- 2 INSULATION RANGE: DIA 1.50-3.10 mm [.060-.122 in]
- 3 FINISH: 2.54μm [.0001 in] MINIMUM PRE-TIN ALL OVER.
- 4 MATING PART: 2825210-1(STRIP TYPE) OR 2825212-1(LOOSE TYPE)



SECTION A-A



SECTION B-B



SECTION C-C

PRE-TIN $\triangle$ 3	HIGH PERFORMANCE COPPER ALLOY	2825211-1
FINISH	MATERIAL	PART NO.

THIS DRAWING IS A CONTROLLED DOCUMENT.		DWN WARREN HUO 15AUG2017		
DIMENSIONS: mm [INCHES]		CHK DANIEL ZHANG 15AUG2017		
TOLERANCES UNLESS OTHERWISE SPECIFIED:		APVD DANIEL ZHANG 15AUG2017	NAME	
0 PLC ± -		PRODUCT SPEC	SOCKET TERMINAL, VAL-U-LOK HCS	
1 PLC ± 0.25 [.010]		APPLICATION SPEC	-	
2 PLC ± 0.13 [.005]		108-150000	SIZE	CAGE CODE
3 PLC ± -		114-13172	A2	00779
4 PLC ± -		WEIGHT	DRAWING NO	
ANGLES ± -		0	C=2825211	
MATERIAL SEE TABLE	FINISH SEE TABLE	CUSTOMER DRAWING	SCALE N/A	SHEET 1 of 1
			RESTRICTED TO	REV A