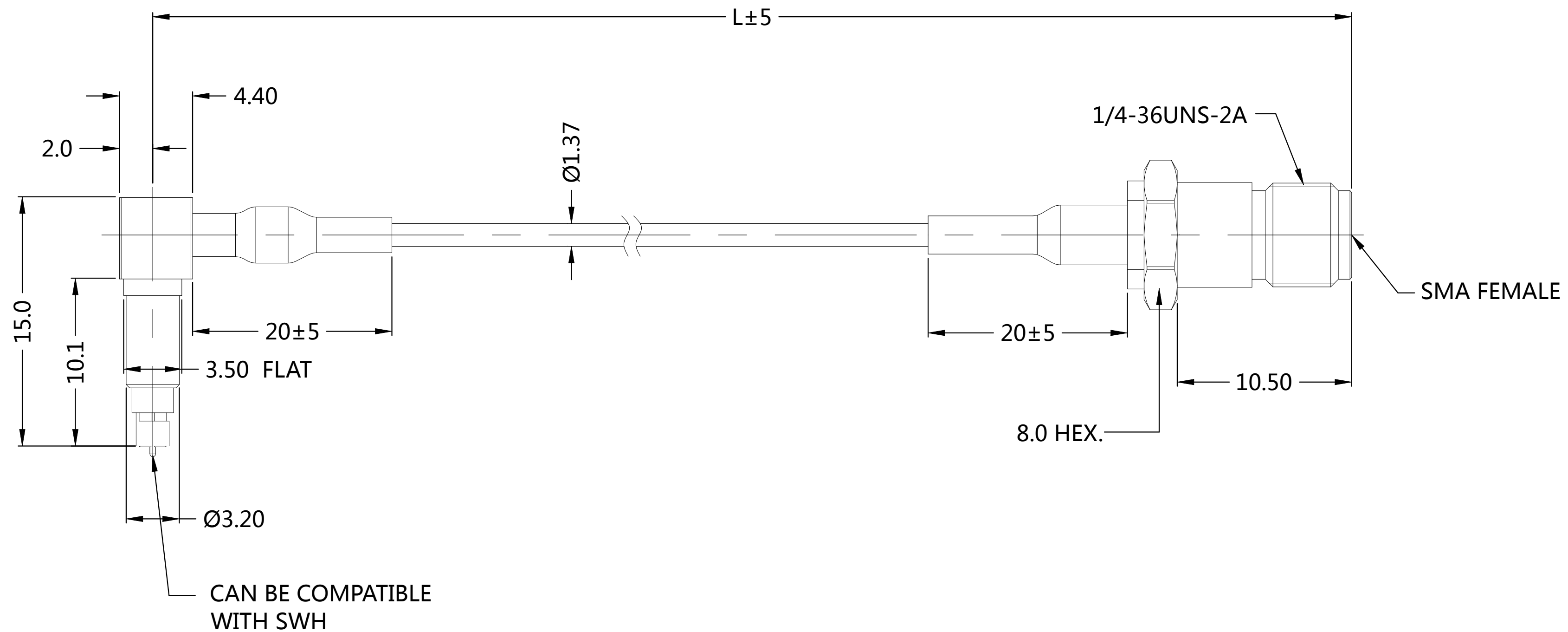


| REVISIONS | | | | | |
|-----------|-----|---------------|-----------|-----|------|
| P | LTR | DESCRIPTION | DATE | DWN | APVD |
| A | | ECN-22-152748 | 11MAY2022 | PZ | WKH |



| ELECTRICAL | MECHANICAL | ENVIRONMENTAL |
|---|---|--|
| Impedance (Ohm): <u>50</u> Frequency Range: <u>DC to 9GHz</u> Voltage Rating (Peak) @ Sea Level <u>170 V RMS</u> Insulation Resistance (MIN.) <u>500 M ohms</u> Contact Resistance (mohms MAX) Center Contact <u>N/A</u> Outer Contact <u>N/A</u> Dielectric Withstand Voltage: <u>500 V RMS Max</u> Insertion Loss : <(1.6+a*0.4)dB (a=L/100mm) VSWR: <u>1.3 max @ DC~6GHz</u> <u>1.5 max @ 6GHz~9GHz</u> | Interface Dimension <u>SMA TO SWITCH</u> CABLE STATIC BENDING RADIUS: <u>8mm MIN.</u> Cable Retention Axial (Lbs) <u>N/A</u> Mating cycles <u>500</u> cycles (SMA) <u>200</u> cycles (SWITCH SIDE) | TEMPERATURE RANGE <u>-40 °C~+80 °C</u> ROHS <u>COMPLIANT</u> |

| CABLE ASSEMBLY DESCRIPTION | |
|----------------------------|--------|
| 2408024-1 | 200 mm |
| PART NUMBER | LENGTH |

| OTHER | N/A | | |
|-----------------|-------------|------------------|-----------------------|
| CABLE | 1.37 CABLE | | |
| SWITCH R/A MALE | CONTACT PIN | BERYLLIUM COPPER | PL.GOLD/NICKEL/COPPER |
| | INSULATOR | PTFE MIL-P-19468 | N/A |
| | BODY | BRASS C3604 | PL.GOLD/NICKEL/COPPER |
| SMA S/T FEMALE | CONTACT PIN | BERYLLIUM COPPER | PL.GOLD/NICKEL/COPPER |
| | INSULATOR | PTFE MIL-P-19468 | N/A |
| | BODY | BRASS C3604 | PL.GOLD/NICKEL/COPPER |
| PART TYPE | PART NAME | MATERIAL | PLATING |

| | | | | | |
|---|--------|---------------|-----------|-----------|--|
| THIS DRAWING IS A CONTROLLED DOCUMENT. | | DWN | 18FEB2022 | | TE Connectivity SWITCH MALE R/A TO SMA FEMALE S/T FOR 1.37 CABLE |
| DIMENSIONS: mm | | CHK | 18FEB2022 | | |
| TOLERANCES UNLESS OTHERWISE SPECIFIED: | | APVD | 18FEB2022 | | |
| 0 PLC ± - 1 PLC ± 5 2 PLC ± 2 3 PLC ± 1 4 PLC ± - ANGLES ± 10° | | PRODUCT SPEC | - | | |
| MATERIAL | FINISH | WEIGHT | - | SIZE | A2 |
| CUSTOMER DRAWING | | SCALE | 1:1 | CAGE CODE | 00779 |
| | | DRAWING NO | C=2408024 | SHEET | 1 OF 1 |
| | | RESTRICTED TO | - | REV | A |

2408024