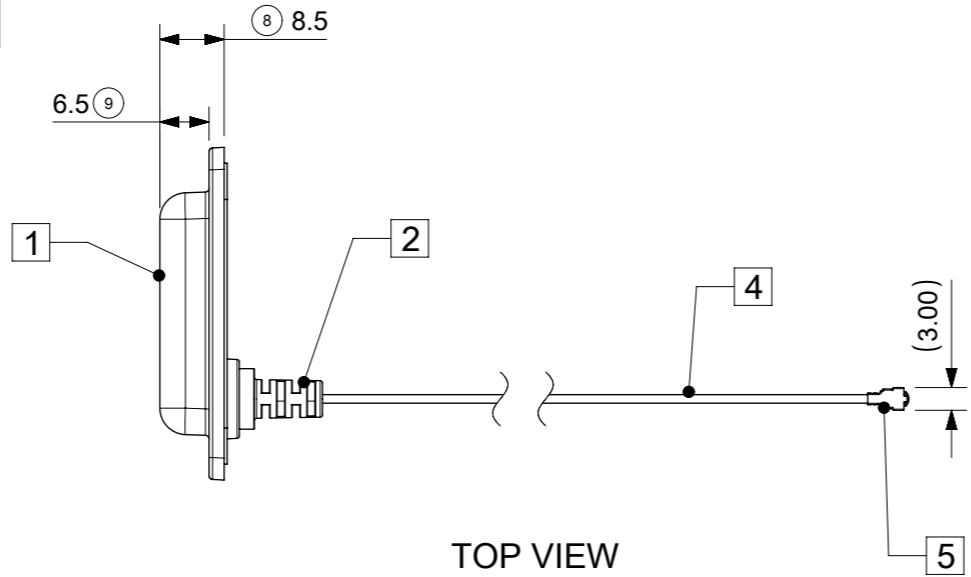
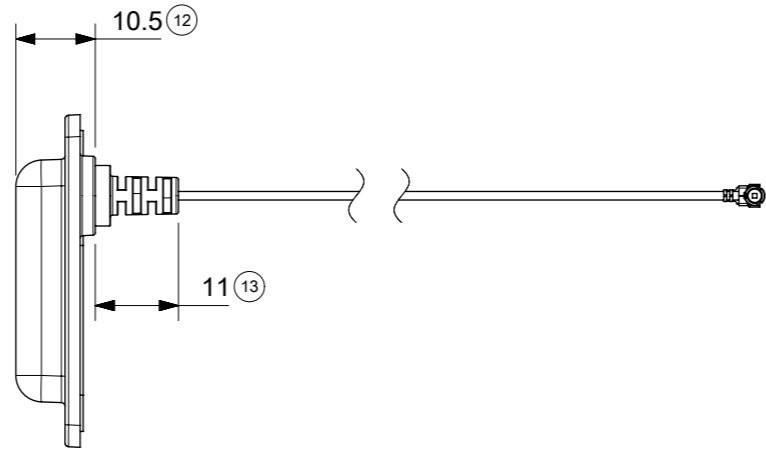
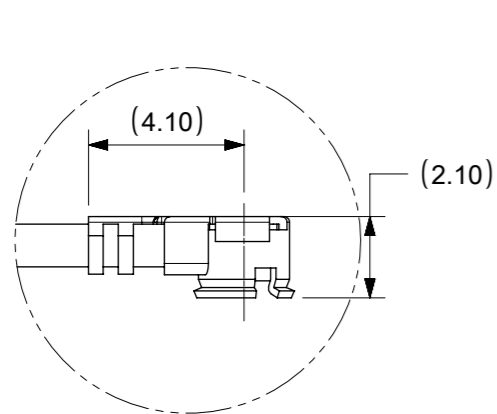
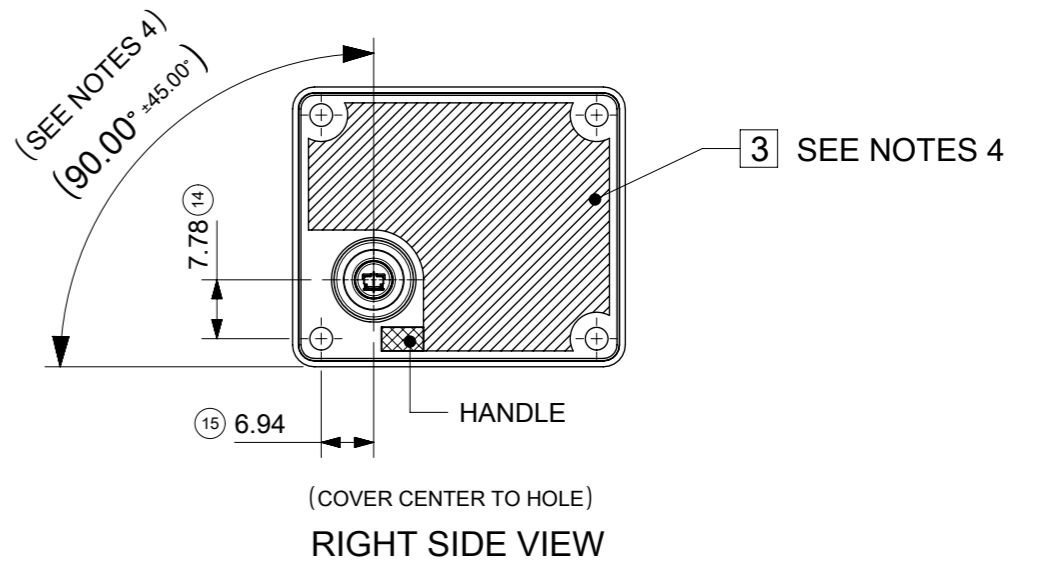
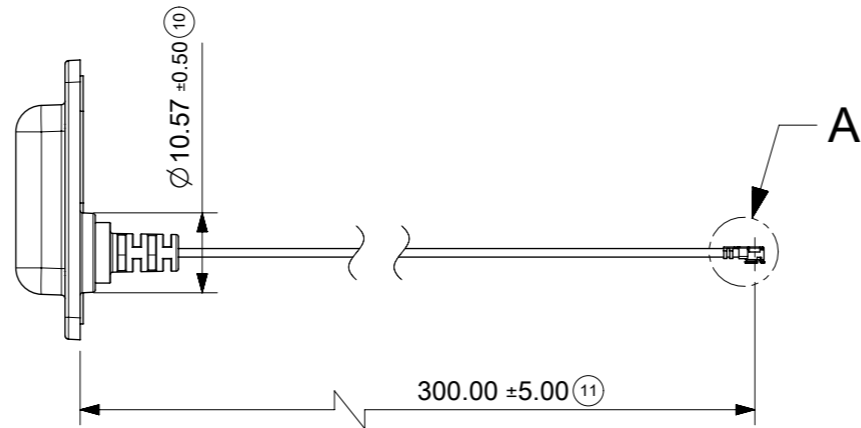
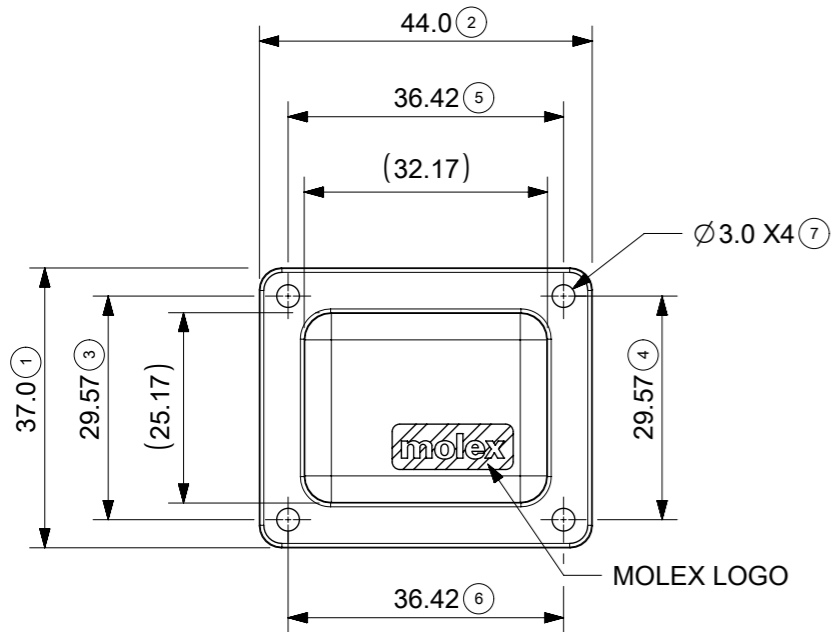


ITEM	P/N	ADHESIVE
1	2158680001	WITH ADHESIVE
2	2158680011	WITHOUT ADHESIVE

REV	DATE	DESCRIPTION
A	2020/05/22	NEW RELEASE
A1	2020/09/29	SYSTEM UPGRADE
A2	2021/04/28	1.UPDATE NOTES 4; 2.ADD THE SERIAL NUMBER FOR THE DIMENSIONS;



BOM		
ITEM	MATERIAL	DESCRIPTION
1	ANTENNA HOUSING	PC/ABS;COLOR:BLACK
2	SEALING RING	SILICA GEL;COLOR:BLACK
3	ADHESIVE (OPTIONAL)	THICKNESS:0.4MM
4	CABLE	Ø1.13MM;COLOR:BLACK
5	CONNECTOR	MHF-I;GOLD PATING



- NOTES:
1. MATERIAL:SEE BOM.
  2. AFTER RF TEST,PLEASE USE CAP TO PROTECT CONNECTOR.
  3. THE CONNECTOR WILL HAVE A ROTATION ANGLE DEVIATION±45°.
  4. IF THE PRODUCT DOES NOT REQUIRE ADHESIVE, CHOOSE MOLEX P/N: 2158680011.

THIS DRAWING CONTAINS INFORMATION THAT IS PROPRIETARY TO MOLEX ELECTRONIC TECHNOLOGIES, LLC AND SHOULD NOT BE USED WITHOUT WRITTEN PERMISSION									
DIMENSION UNITS		SCALE		CURRENT REV DESC:				<b>molex</b>	
mm		1:2							
GENERAL TOLERANCES (UNLESS SPECIFIED)				MOLEX ON-METAL EXTERNAL WI-FI ANTENNA					
ANGULAR TOL ± 1.0°				PRODUCT CUSTOMER DRAWING					
4 PLACES ±		EC NO: 670357		DRWN: KCHENG06		2021/04/28		DOCUMENT NUMBER	
3 PLACES ±		CHK'D: HORACM1		APPR: HORACM1		2021/07/19		DOC TYPE DOC PART REVISION	
2 PLACES ± 0.3		INITIAL REVISION:		DRWN: KCHENG06		2020/05/12		2158680001	
1 PLACE ± 0.5		DRWN: XJSONG		APPR: XJSONG		2020/09/25		PSD 000 A2	
0 PLACES ± 1.0		DRAFT WHERE APPLICABLE MUST REMAIN WITHIN DIMENSIONS		THIRD ANGLE PROJECTION		DRAWING		SERIES	
				A3-SIZE		215868		MATERIAL NUMBER CUSTOMER	
				SEE TABLE		GENERAL MARKET		SHEET NUMBER	
								1 OF 1	