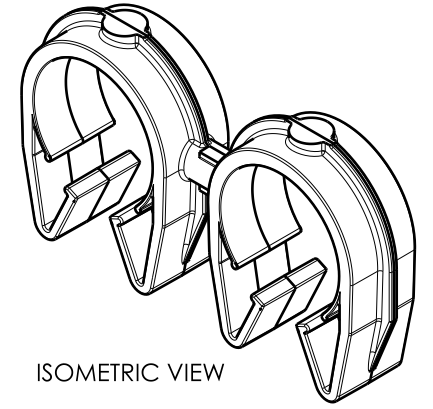
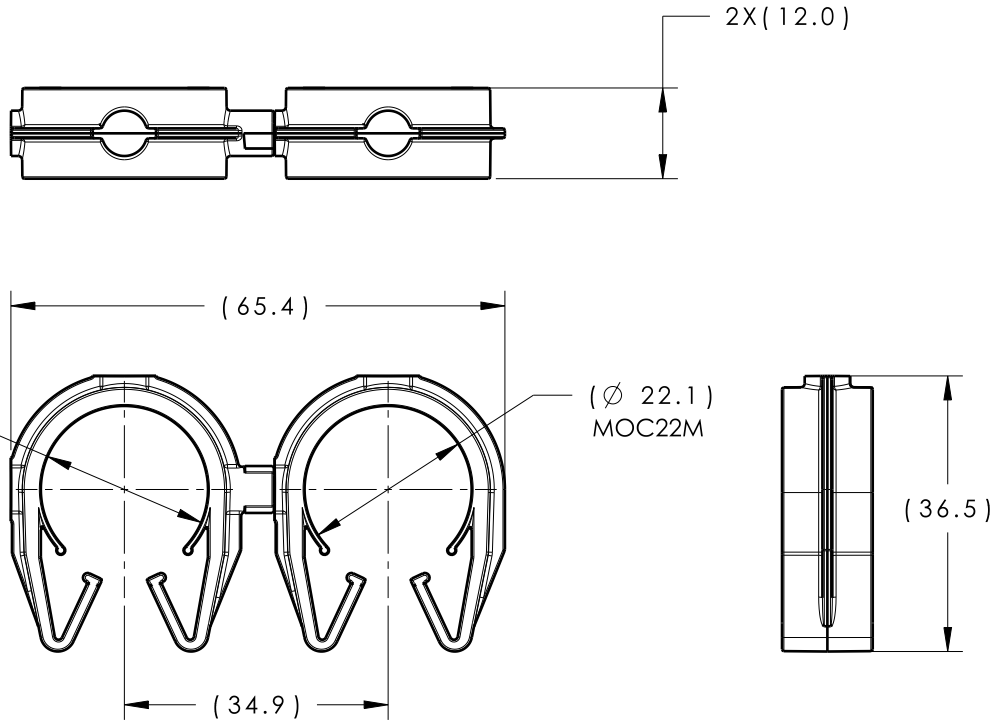
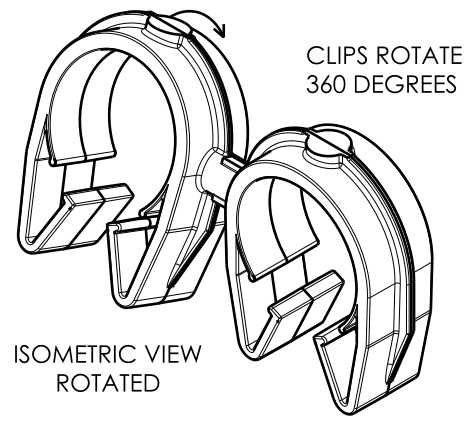


Revision Level			Revision Record	Changed	Date	Approved	Date
Drawing	State	Part					
01.2	Design Release		SEE ECN# 014389	TAT	4/3/18	EJH	4/3/18



ISOMETRIC VIEW




CLIPS ROTATE 360 DEGREES

ISOMETRIC VIEW ROTATED

TYPE	MOC22F	MOC22M
HARNESS	20.0MM-24.0MM	20.0MM-24.0MM
HOSE	20.0MM-24.0MM	20.0MM-24.0MM
HARD PIPE/TUBE	22.0MM-25.0MM	22.0MM-25.0MM

*RECOMMENDED SIZES MAY DIFFER DEPENDING ON THE APPLICATION, PRODUCT REQUIREMENTS AND MATERIALS USED

GLOBAL PART NAME 	MOC22F			MOC22M		
	DRAWING	MATERIAL	COLOR	DRAWING	MATERIAL	COLOR
MOC22FMOC22M-PA66HIRHS-BK	16-0323-000-CSU	PA66HIRHS	BLACK	16-0323-000-CSU	PA66HIRHS	BLACK

Material SEE CHART COLOR: SEE CHART	Units millimeters	The copyright of this drawing is reserved by HellermannTyton. It is issued on condition that it is not reproduced, copied or disclosed to a third party, either wholly or in part, without the consent of HellermannTyton.	Drawn	TAT	2/22/17	Article/Type-No	MOC22FMOC22M	Scale	1:1
	Tolerance defined on each dimension		Approved	EJH	2/28/17	Title	 22MM MOC COUPLED TO A 22MM MOC	Project Number	16-0326
			HellermannTyton			Drawing-No	16-0326-771-CSU 	PRODUCTION : Phase	Format
			North America Email: corp@htamericas.com Web: www.hellermann.tyton.com					Sheet	1/1