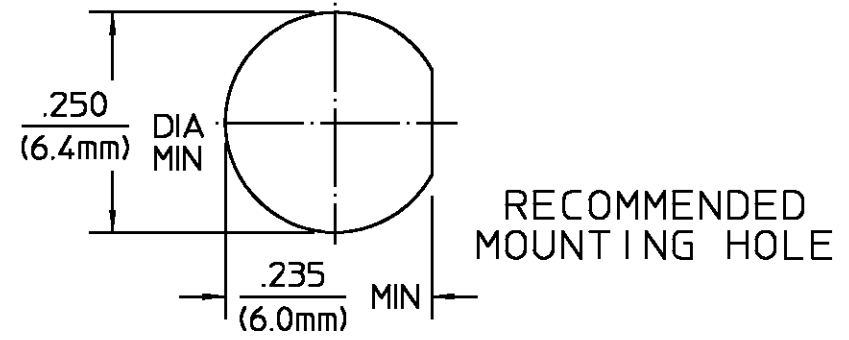


DESIGNED FOR USE WITH RD-316/U (DOUBLE BRAID CABLE)	
CABLE ENTRY DIAMETER MINIMUM	
FERRULE	.137
HOUSING	.067
CONTACT	.023

REVISIONS			
REV	DESCRIPTION	DATE	APPROVED
02 ₀	REVISED	3/1/96	ICam 3/4/96
B	PER EC 0U20-0116-01-02	10/29/01	C. Huang



ELECTRICAL	MECHANICAL	ENVIRONMENTAL
Nominal Impedance (Ohms) 50	Interface Dimensions MIL-STD-348A, Fig. 310.2	Temperature Rating -65°C to +165°C
Frequency Range (GHz) DC to 12.4	Recommended Mating Torque N/A	Vibration MIL-STD-202, Method 204, Condition D
Volt Rating (VRMS MAX) @ Sea Level 250	Mating Characteristics:	Shock MIL-STD-202, Method 213, Condition I
VSWR 1.30 : 1	Insertion (MAX lbs) 3.0	Thermal Shock MIL-STD-202, Method 107, Condition B,
Insertion Loss (dB MAX) .06 √f(GHz)	Withdrawal (MIN oz) 1.0	Except High Temp shall be +85°C
RF Leakage (dB MIN) -[60-f(GHz)]	Force to Engage and Disengage (in-lbs MAX) 2.0	Moisture Resistance MIL-STD-202, Method 106
Corona, 70,000 Ft (VRMS MIN) 190	Center Contact Captivation Axial (lbs) 6.0	Corrosion - MIL-STD-202, Method 101, Condition B, 5% salt spray
Dielectric Withstanding Voltage (VRMS MIN) @ Sea Level 750	Radial (in-oz) N/A	
Contact Resistance (Milliohms MAX) Center Contact 2.0	Cable Retention Axial Force (lbs MIN) 25.0	
Outer Contact 2.0	Torque (in-oz MIN) N/A	
Cable to Housing 0.5	Weight (Grams) TBD	
RF High Potential @ Sea Level (VRMS MIN @ 5 MHz) 500		
LR (Megohms MIN) 10,000		

COMPONENT	MATERIAL	FINISH
HOUSING MOUNTING NUT LOCKWASHER	STAINLESS STEEL PER ASTM-A484 AND ASTM-A582, TYPE 303	PASSIVATE PER QQ-P-35
DIELECTRIC	TFE FLUOROCARBON PER ASTM-D-1457	N/A
CENTER CONTACT	BRASS PER ASTM-B-16, HALF HARD	GOLD PLATE PER MIL-G-45204
FERRULE	COPPER OR BRASS ALLOY ROCKWELL F65 MAXIMUM	NICKEL PLATE PER QQ-N-290

UNLESS OTHERWISE SPECIFIED DIMENSIONS ARE IN INCHES TOLERANCE ON

FRAC.	DEC.	ANGLES
± 1/64	±.005	± °

These drawings and specifications are the property of M/A-COM Incorporated and shall not be reproduced or copied or used in whole or in part as the basis for the manufacture or sale of item(s) without written permission.

USE ASS'Y PROCEDURE

408-04661
NO. AP. (28-001)

DRAWN BY *ADavis* DATE 11/16/92
CHECKED BY
APP'D BY *ICam* 12/15/92

AMP Incorporated
140 Fourth Avenue
Waltham, MA 02451-7599

TITLE OSM LOW COST BULKHEAD CABLE JACK CRIMP ATTACHMENT

SIZE B	CODE IDENT NO. 26805	2834-7316-02	REV 02 ₀
--------	----------------------	--------------	---------------------

SCALE 4 : 1 SHEET 1 OF 1