

MATERIALS AND FINISHES:

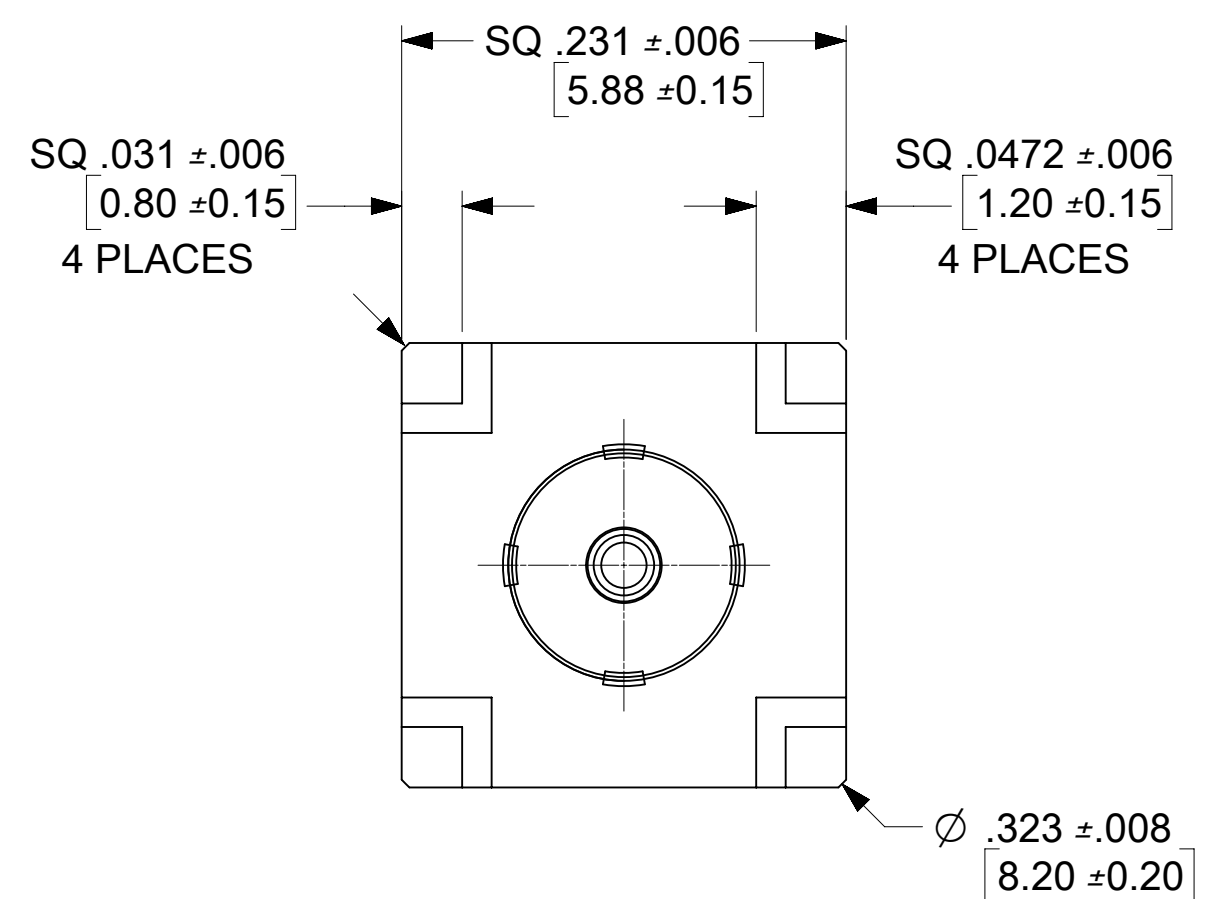
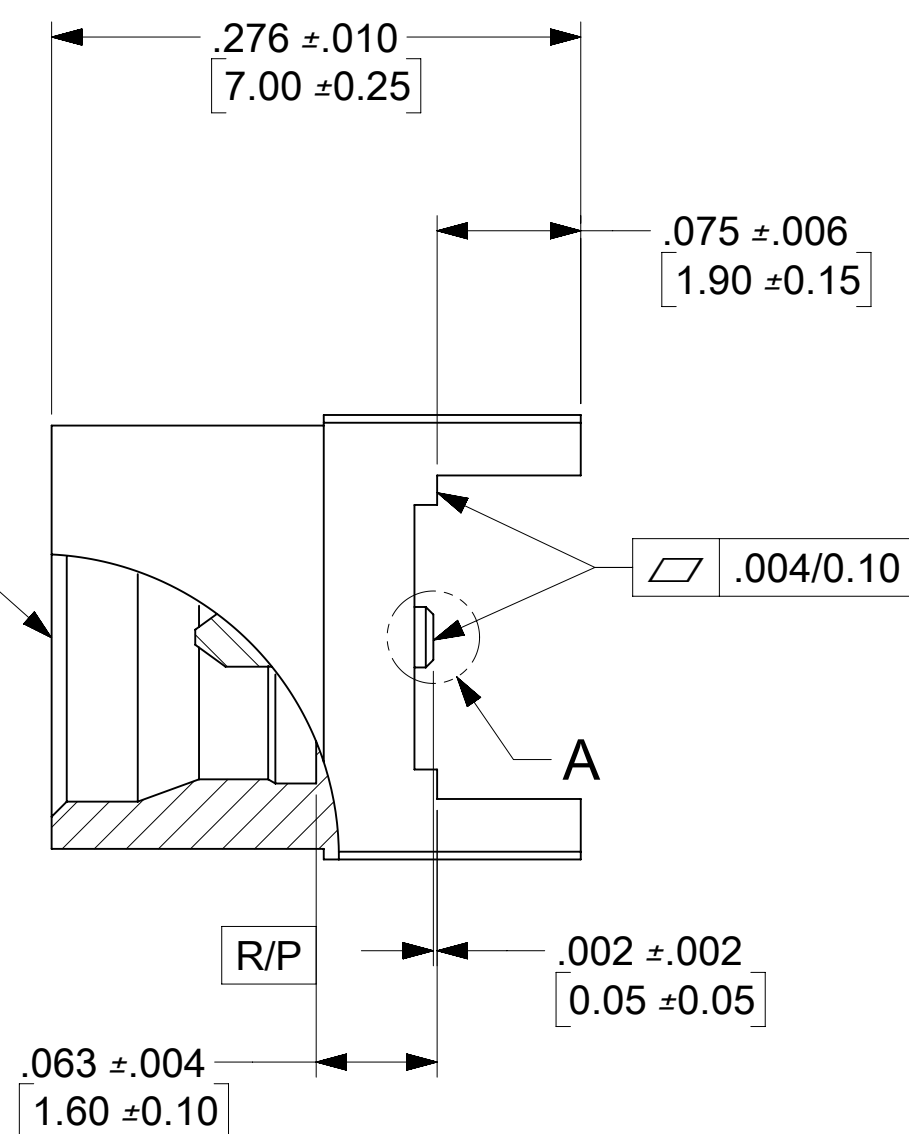
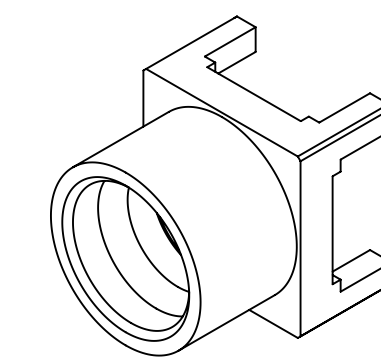
BODY: BRASS
 PLATED: GOLD (1 u-in MIN) OVER.
 NICKEL PHOSPHOR (80 u-in MIN).

CONTACT: BRASS
 PLATED: GOLD (8 u-in MIN) OVER.
 NICKEL PHOSPHOR (80 u-in MIN).

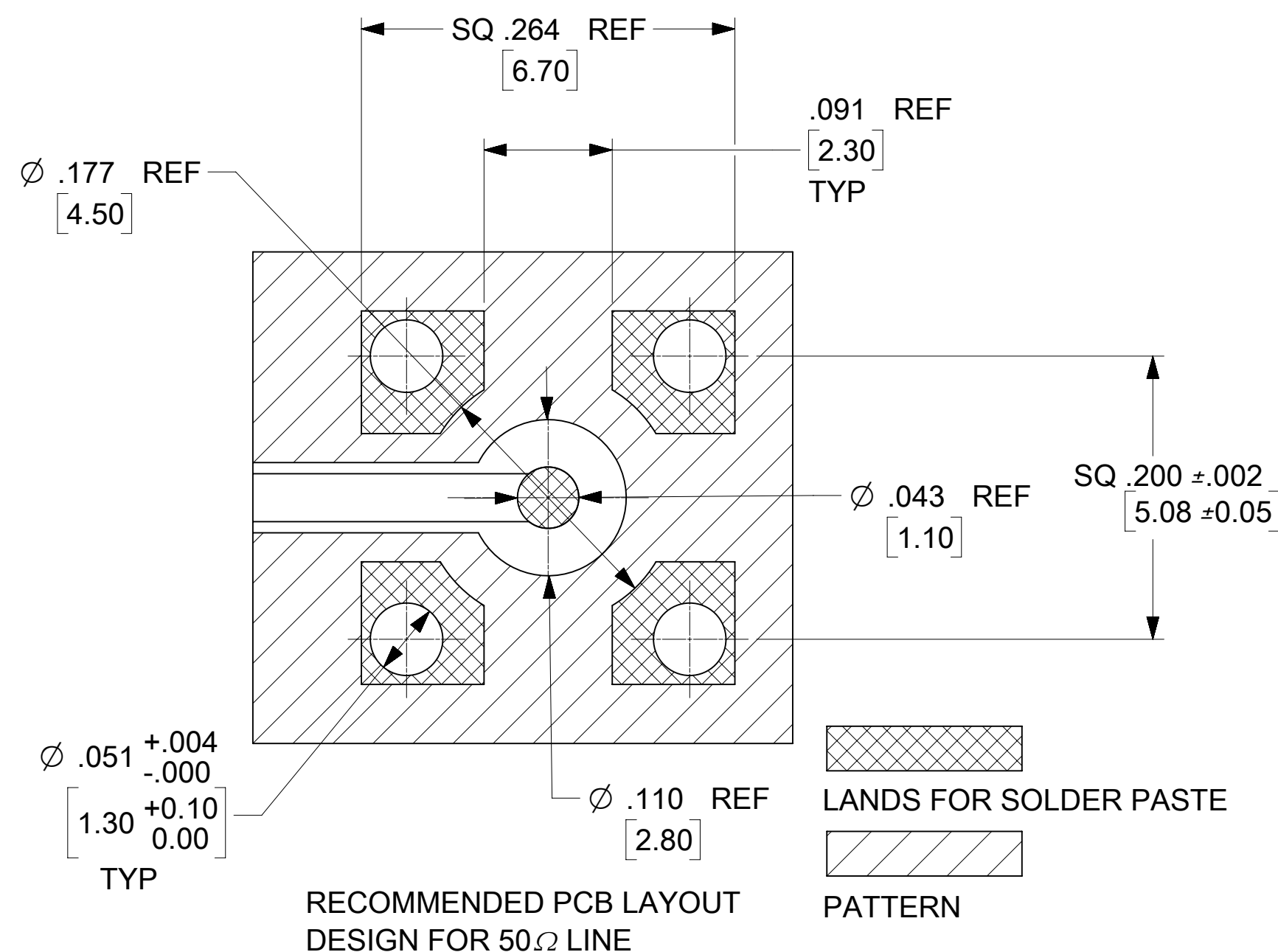
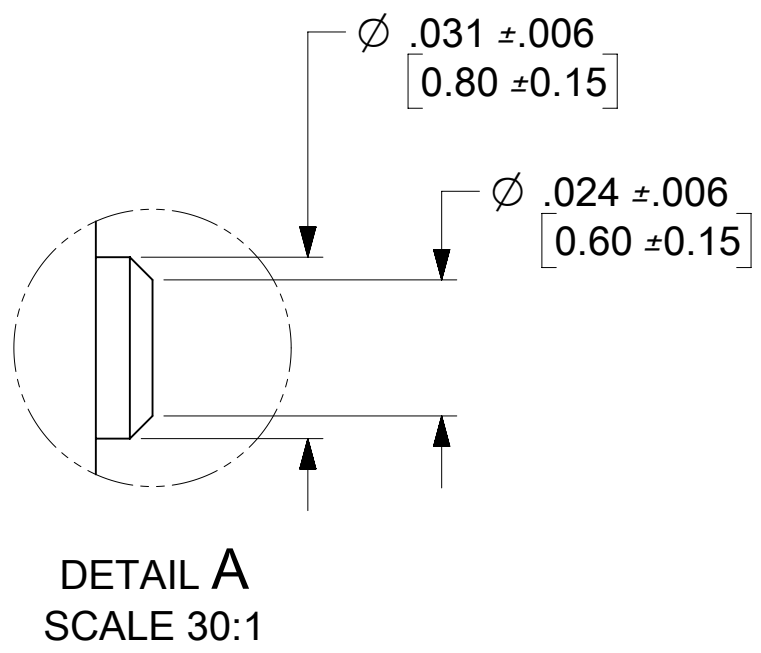
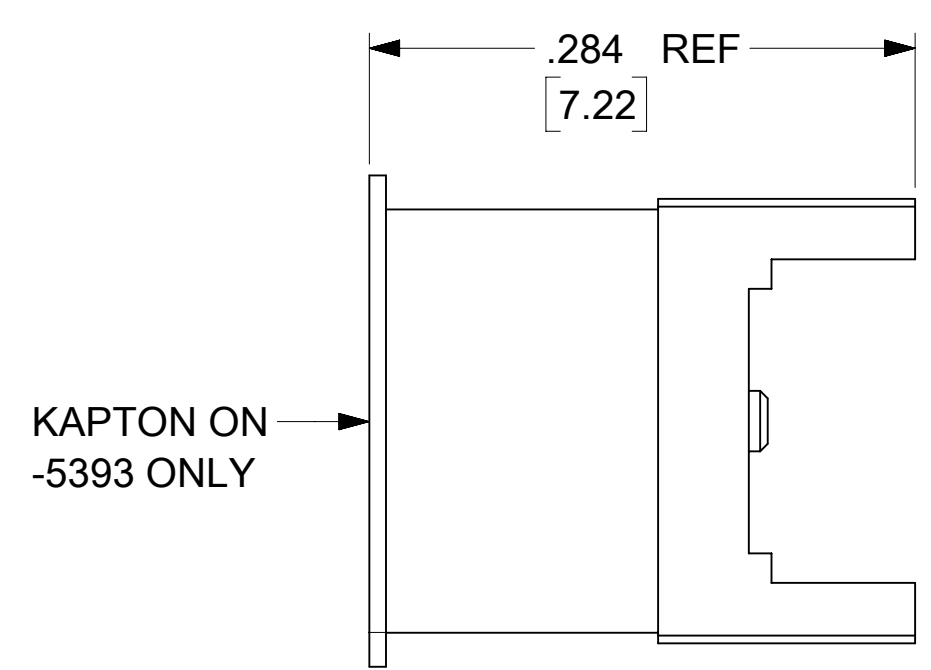
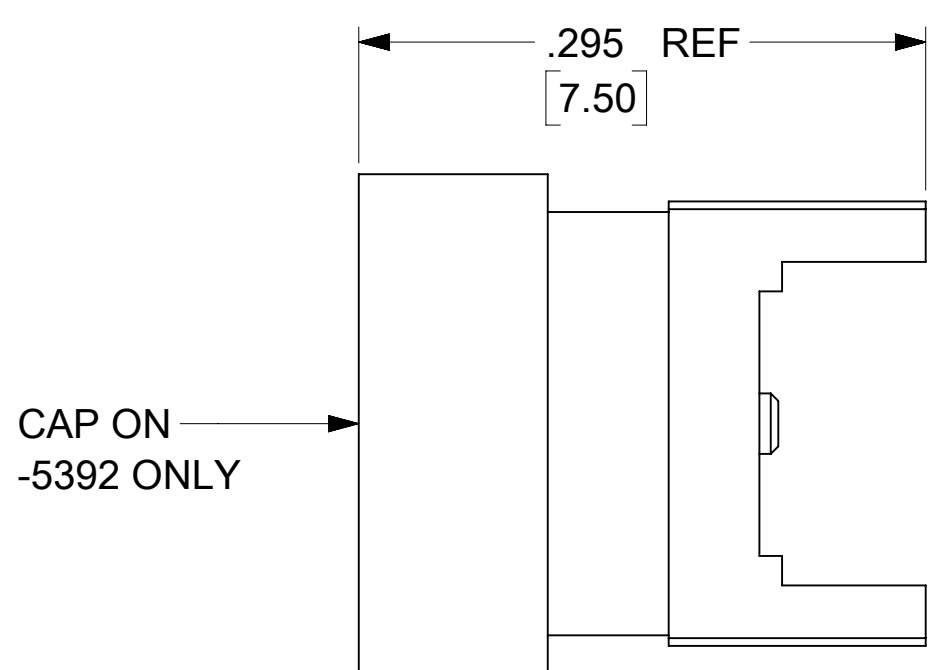
INSULATOR: PTFE

CAP: PTFE ON -5392 ONLY.

KAPTON TAPE DOT: POLYIMIDE FILM
 ON -0403 ONLY



NO CAP &
 KAPTON ON
 -5390
 -5391
 -5394



73420-5394	TAPE AND REEL ONLY (500 PCS PER REEL)
73420-5393	TAPE AND REEL WITH KAPTON (500 PCS PER REEL)
73420-5392	TAPE AND REEL WITH CAP (500 PCS PER REEL)
73420-5391	80 PCS PER TRAY (NO CAP AND KAPTON)
73420-5390	ONE PER BAG (NO CAP AND KAPTON)
PART NO.	DESCRIPTION

PS-89675-3760	ELEC/MECH PERFORMANCE
SPECIFICATION	DESCRIPTION

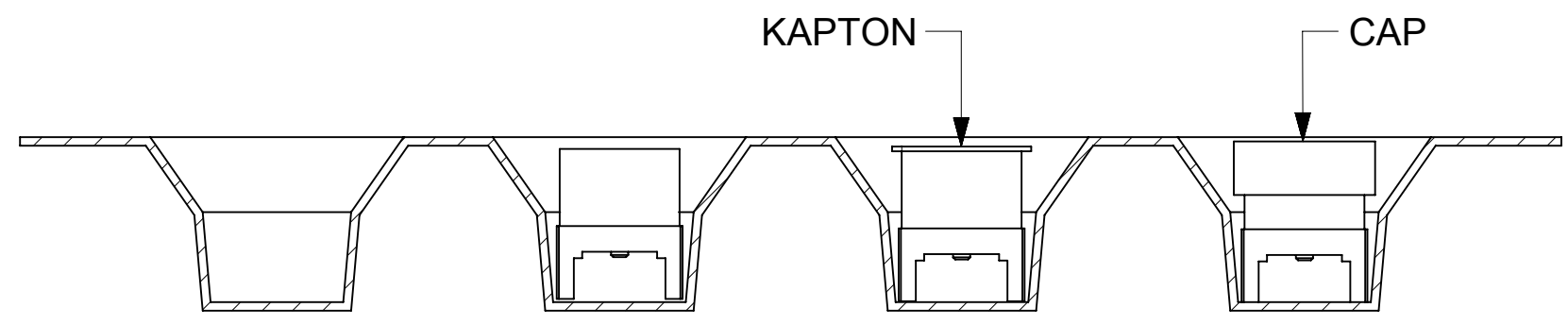
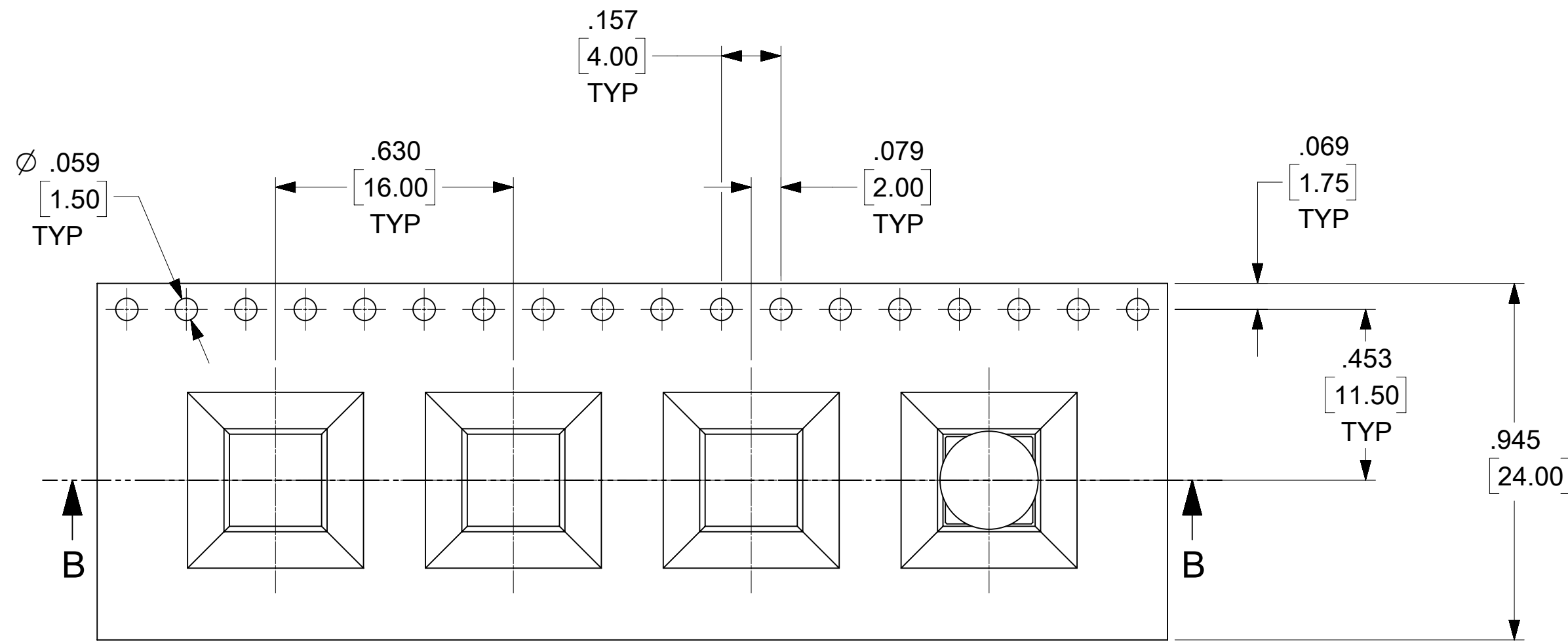
C1	2018/4/17	ADD TOLERANCE PER EWR #12018-A
REV	DATE	DESCRIPTION

THIS DRAWING CONTAINS INFORMATION THAT IS PROPRIETARY TO MOLEX ELECTRONIC TECHNOLOGIES, LLC AND SHOULD NOT BE USED WITHOUT WRITTEN PERMISSION

DIMENSION UNITS	SCALE	CURRENT REV	DESC:
HYBRID	NTS		
GENERAL TOLERANCES (UNLESS SPECIFIED)			
ANGULAR TOL	±	°	
4 PLACES	±		
3 PLACES	±		
2 PLACES	±		
1 PLACE	±		
0 PLACES	±		
DRAFT WHERE APPLICABLE MUST REMAIN WITHIN DIMENSIONS		THIRD ANGLE PROJECTION	DRAWING SERIES
			C-SIZE 73420

EC NO: 175577		2018/04/17	
DRWN: RYEH		2018/05/07	
CHK'D: YCHENG		2018/05/07	
APPR: YCHENG		2018/05/07	
INITIAL REVISION:			
DRWN: BBHARADWAJD		2015/07/03	
APPR: AROBERTSON		2015/07/03	

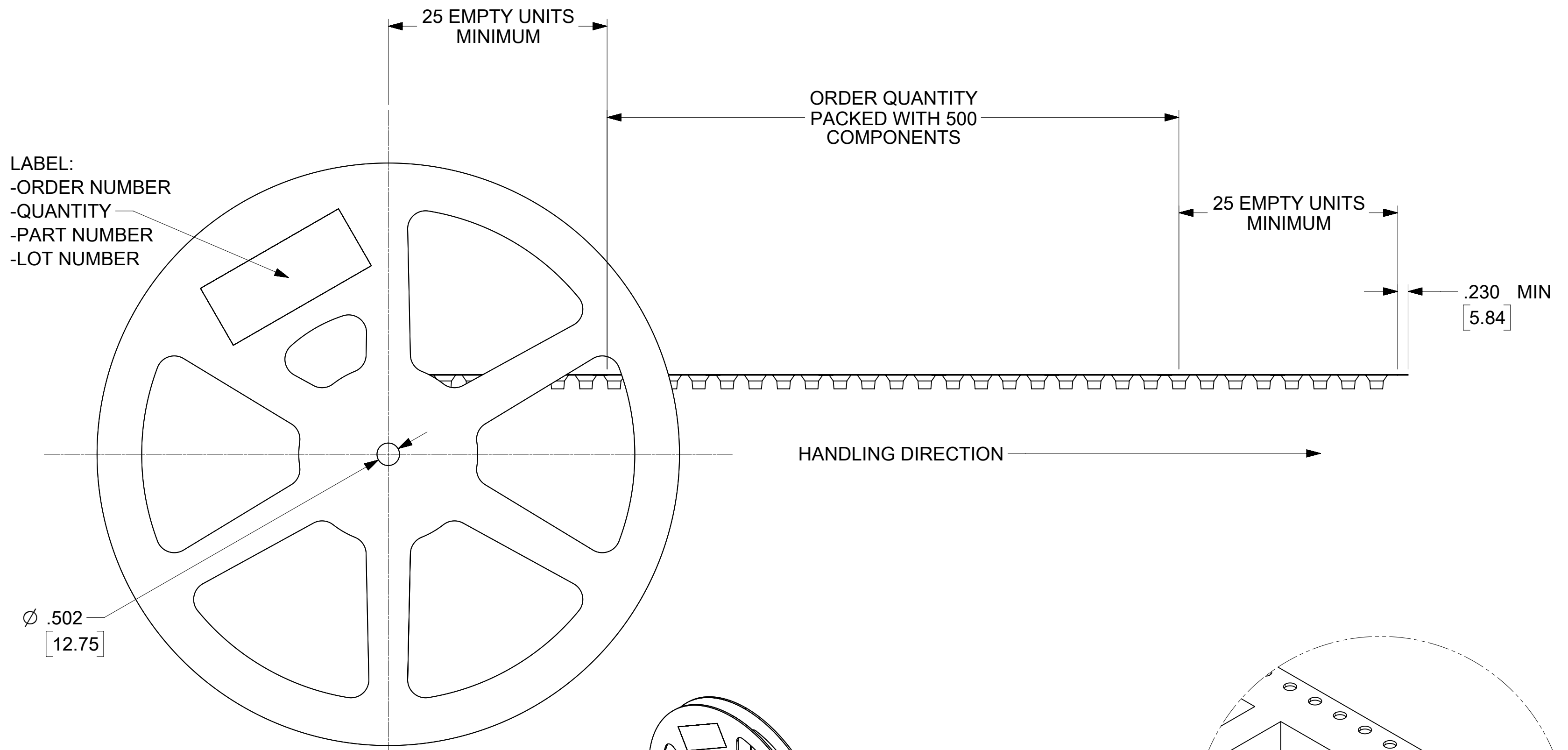
molex			
SMP-MAX PLUG STR DETENT PCB TH SIGNAL SMT SMPMAX-P/PCB			
PRODUCT CUSTOMER DRAWING			
DOCUMENT NUMBER	DOC TYPE	DOC PART	REVISION
SD-73420-539	PSD	000	C1
MATERIAL NUMBER	CUSTOMER	SHEET NUMBER	
SEE TABLE	GENERAL MARKET	1 OF 3	



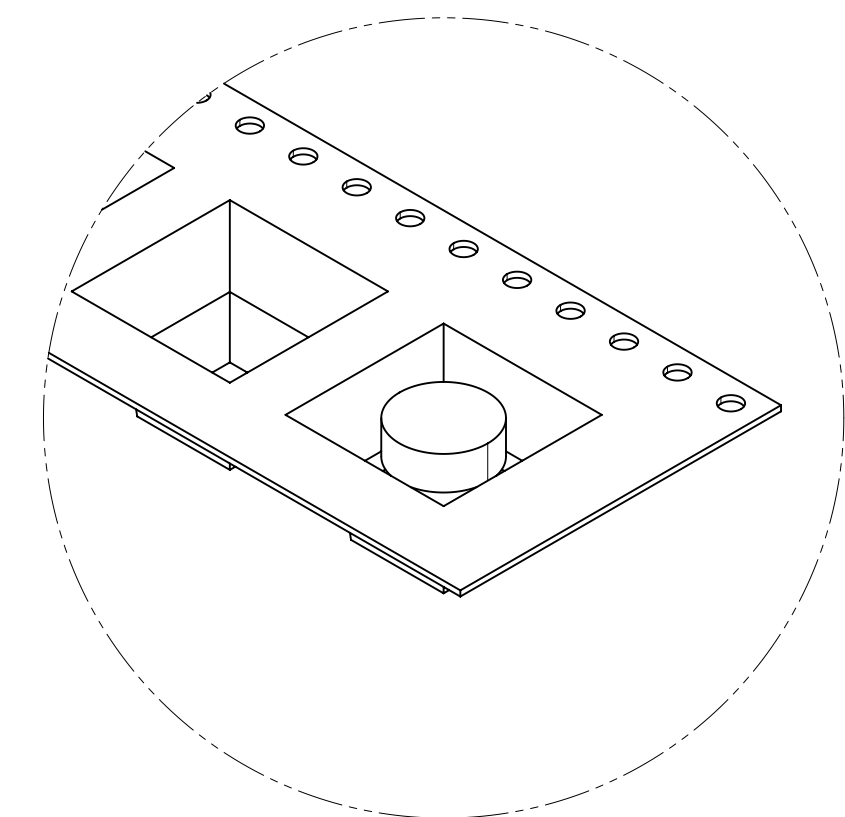
SECTION B-B

THIS DRAWING CONTAINS INFORMATION THAT IS PROPRIETARY TO MOLEX ELECTRONIC TECHNOLOGIES, LLC AND SHOULD NOT BE USED WITHOUT WRITTEN PERMISSION									
DIMENSION UNITS		SCALE		CURRENT REV DESC:				molex	
HYBRID		NTS							
GENERAL TOLERANCES (UNLESS SPECIFIED)				EC NO: 175577				SMP-MAX PLUG STR DETENT PCB TH SIGNAL SMT SMPMAX-P/PCB	
ANGULAR TOL ± °				DRWN: RYEH 2018/04/17					
4 PLACES ±				CHK'D: YCHENG 2018/05/07					
3 PLACES ±				APPR: YCHENG 2018/05/07				PRODUCT CUSTOMER DRAWING	
2 PLACES ±				INITIAL REVISION:				DOCUMENT NUMBER	
1 PLACE ±				DRWN: BBHARADWAJD 2015/07/03				SD-73420-539	
0 PLACES ±				APPR: AROBERTSON 2015/07/03				DOC TYPE DOC PART REVISION	
DRAFT WHERE APPLICABLE MUST REMAIN WITHIN DIMENSIONS				THIRD ANGLE PROJECTION		DRAWING		MATERIAL NUMBER	
						C-SIZE		SEE TABLE	
				SERIES		CUSTOMER		SHEET NUMBER	
				73420		GENERAL MARKET		2 OF 3	

DOCUMENT STATUS	P1	RELEASE DATE	2018/05/07 01:13:21
-----------------	----	--------------	---------------------



FOR 73420-5392 & -5393 & -5394



DETAIL C
SCALE 5:2

THIS DRAWING CONTAINS INFORMATION THAT IS PROPRIETARY TO MOLEX ELECTRONIC TECHNOLOGIES, LLC AND SHOULD NOT BE USED WITHOUT WRITTEN PERMISSION											
DIMENSION UNITS		SCALE		CURRENT REV DESC:							
HYBRID		NTS		EC NO: 175577 DRWN: RYEH 2018/04/17 CHK'D: YCHENG 2018/05/07 APPR: YCHENG 2018/05/07 INITIAL REVISION: DRWN: BBHARADWAJD 2015/07/03 APPR: AROBERTSON 2015/07/03							
GENERAL TOLERANCES (UNLESS SPECIFIED)											
ANGULAR TOL	±	°									
4 PLACES	±										
3 PLACES	±										
2 PLACES	±										
1 PLACE	±										
0 PLACES	±										
DRAFT WHERE APPLICABLE MUST REMAIN WITHIN DIMENSIONS		THIRD ANGLE PROJECTION		DRAWING		SERIES		MATERIAL NUMBER			
				C-SIZE		73420		SEE TABLE			
molex SMP-MAX PLUG STR DETENT PCB TH SIGNAL SMT SMPMAX-P/PCB PRODUCT CUSTOMER DRAWING				DOCUMENT NUMBER		DOC TYPE		DOC PART		REVISION	
				SD-73420-539		PSD		000		C1	
DOCUMENT STATUS				CUSTOMER		SHEET NUMBER					
P1				GENERAL MARKET		3 OF 3					
RELEASE DATE		2018/05/07		01:13:21							