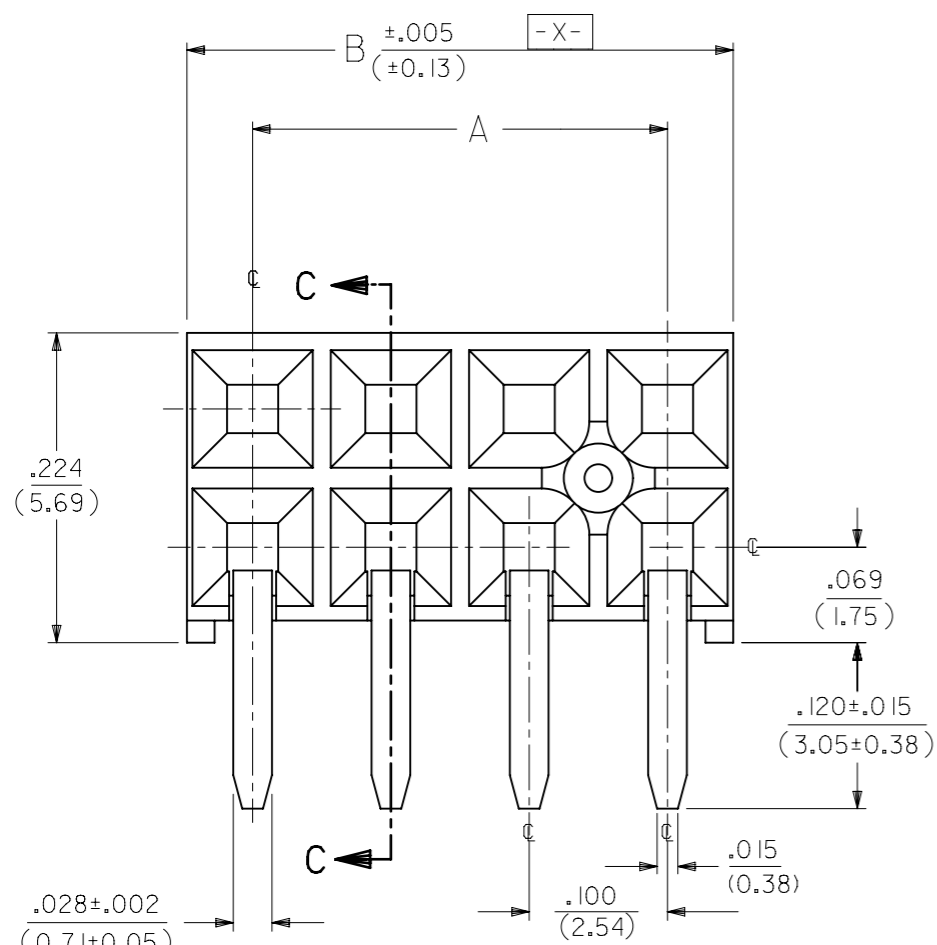


4 DIGIT DATE CODE  
SEE NOTE 5



⊕ ∅.015(S) TAIL TO TAIL  
⊕ ∅.020(S) X(S) Y(S) TAIL TO INSULATOR

OPTION "A" ASSEMBLY  
STANDARD HOUSING

NOTE FOR LEAD FREE CONVERSION:

THE PRIMARY SHIPPING CARTON WILL BE LABELED "COMPLIANT TO RoHS DIRECTIVE 2002/95/EC AND ELV ANNEX II OF DIRECTIVE 2000/53/EC". CARTONS WITHOUT THIS LABEL MAY CONTAIN PRODUCT WITH LEAD.

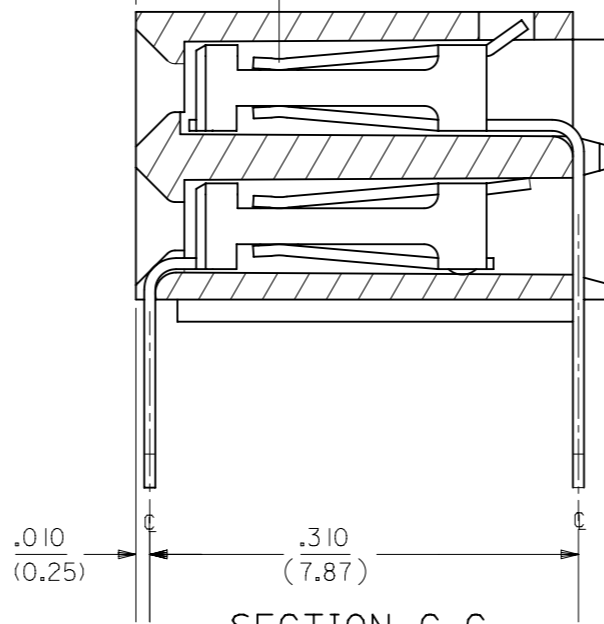
- NOTES:
- MATERIAL -  
INSULATOR - LCP, UL 94V-0, COLOR BLACK  
CONTACTS - PHOSPHOR BRONZE
  - SEE SHT. 5 & 6 FOR CHART DIMENSIONS AND EDP NO.'S
  - RECOMMENDED MATING PIN LENGTH:  
LOWER ROW - .200" MIN., .285" MAX.  
UPPER ROW - .200" MIN.
  - REFER TO PRODUCT SPECIFICATION PS-71973-9999 FOR PERFORMANCE DATA
  - MANUFACTURED DATE CODE - YEAR, WEEK.
  - PACKAGING: FOR THIS PRODUCT IN TUBES SEE SHT. 6 & 7  
FOR THIS PRODUCT IN TRAYS SEE SHT. 8 & 9

FINISHES

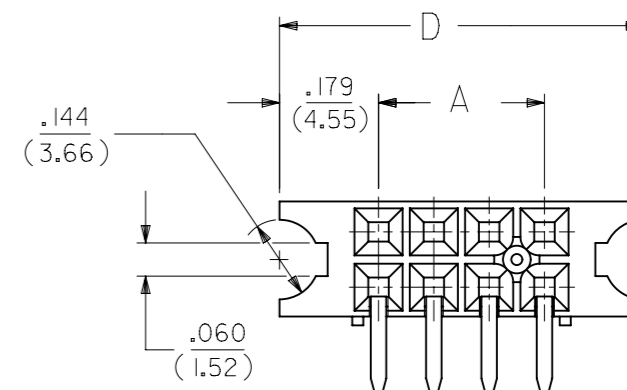
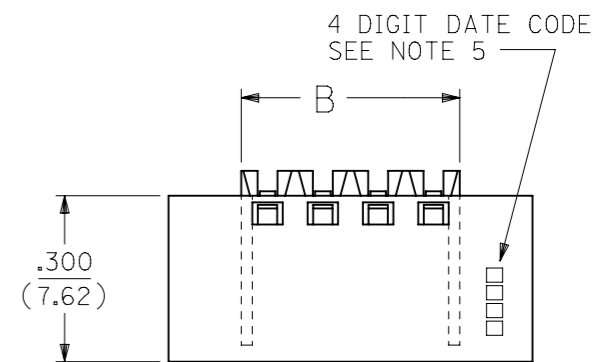
- 15 GOLD .000015 MINIMUM GOLD PLATE IN SELECT AREA OVER  
.000050 MINIMUM NICKEL UNDERPLATE OVER-ALL WITH  
.000075 MINIMUM TIN PLATE IN SELECT AREA.
- 30 GOLD .000030 MINIMUM GOLD PLATE IN SELECT AREA OVER  
.000050 MINIMUM NICKEL UNDERPLATE OVER-ALL WITH  
.000075 MINIMUM TIN PLATE IN SELECT AREA.
- 50 GOLD .000050 MINIMUM GOLD PLATE IN SELECT AREA OVER  
.000050 MINIMUM NICKEL UNDERPLATE OVER-ALL WITH  
.000100 MINIMUM TIN PLATE IN SELECT AREA.

.105  
(2.67)

POINT OF CONTACT



SECTION C-C



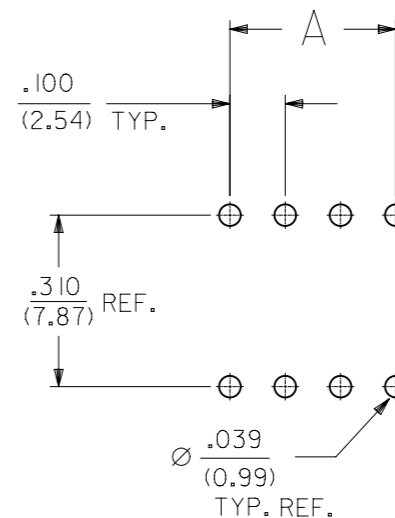
OPTION "B" ASSEMBLY

STD. HOUSING W/MOUNTING EARS  
SCALE 4:1

REFER TO OPT. A FOR ALL OTHER INFORMATION

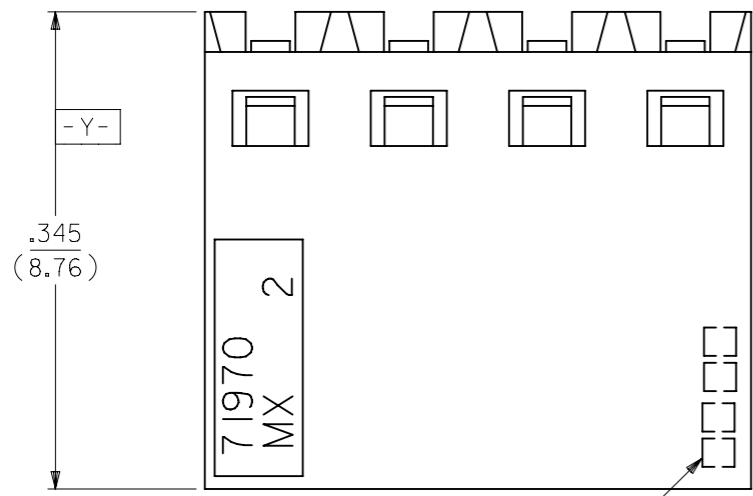
OPTION "J" ASSEMBLY

OPTION "J" IS THE SAME AS OPTION "B" EXCEPT  
DATE CODE IS NOT STAMPED ON HOUSING.

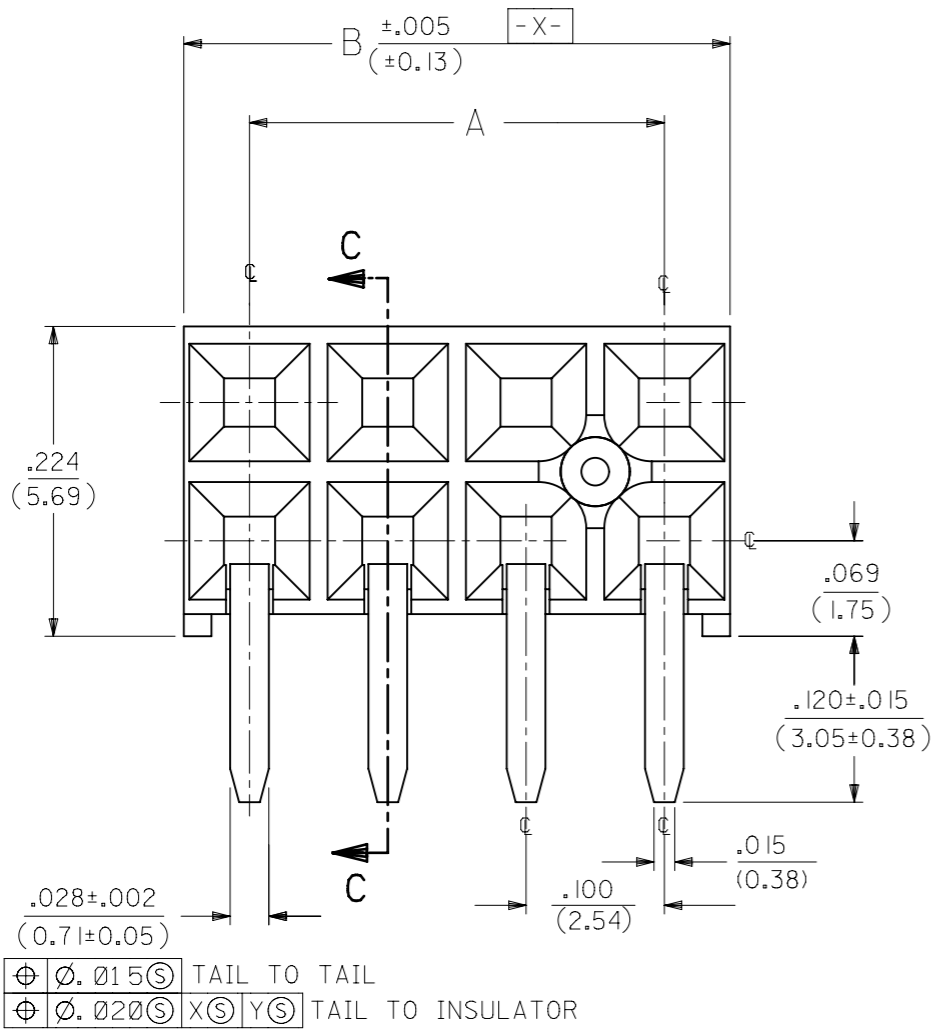


RECOMMENDED P.C.B.  
LAYOUT

THIS DRAWING CONTAINS INFORMATION THAT IS PROPRIETARY TO MOLEX ELECTRONIC TECHNOLOGIES, LLC AND SHOULD NOT BE USED WITHOUT WRITTEN PERMISSION												
DIMENSION UNITS <b>IN/MM</b>		SCALE <b>NTS</b>		CURRENT REV DESC: OBSOLETE PART NUMBER						<b>molex</b>		
GENERAL TOLERANCES (UNLESS SPECIFIED)				EC NO: 718009		2021/02/12		EARLY ENTRY R/A RECPT .120"PC TAIL W/O LOWER ROW PINSTOP-.100" GRID				
				DRWN: ABHISP1		2022/09/16		PRODUCT CUSTOMER DRAWING				
				CHK'D: DANUSA		2022/09/16		DOCUMENT NUMBER		DOC TYPE	DOC PART	REVISION
				APPR: MRAMAKRISHNA		2022/09/16		SDA-71973-XXXX		PSD	001	L
				INITIAL REVISION:		1991/10/21		MATERIAL NUMBER		CUSTOMER		SHEET NUMBER
				DRWN: DJB		2010/01/14		SEE TABLE		GENERAL MARKET		1 OF 25
				ANGULAR TOL ± 0.5°		APPR: MLONG		SERIES		71973		
DRAFT WHERE APPLICABLE MUST REMAIN WITHIN DIMENSIONS				THIRD ANGLE PROJECTION		DRAWING		A3-SIZE				



4 DIGIT DATE CODE  
SEE NOTE 5



⊕ ∅.015 (3) TAIL TO TAIL  
⊕ ∅.020 (3) X (3) Y (3) TAIL TO INSULATOR

OPTION "E" ASSEMBLY  
STANDARD HOUSING

NOTE FOR LEAD FREE CONVERSION:

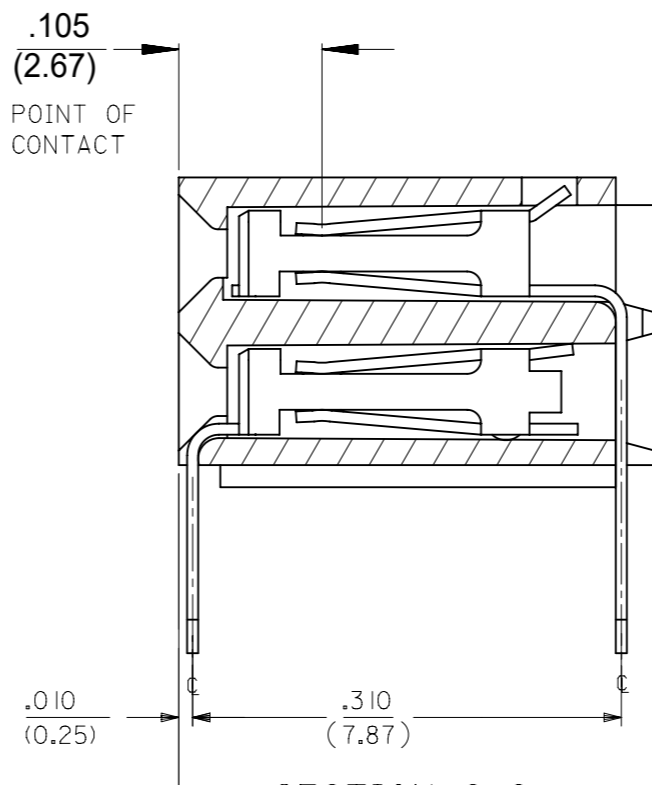
THE PRIMARY SHIPPING CARTON WILL BE LABELED "COMPLIANT TO ROHS DIRECTIVE 2002/95/EC AND ELV ANNEX II OF DIRECTIVE 2000/53/EC". CARTONS WITHOUT THIS LABEL MAY CONTAIN PRODUCT WITH LEAD.

**NOTES:**

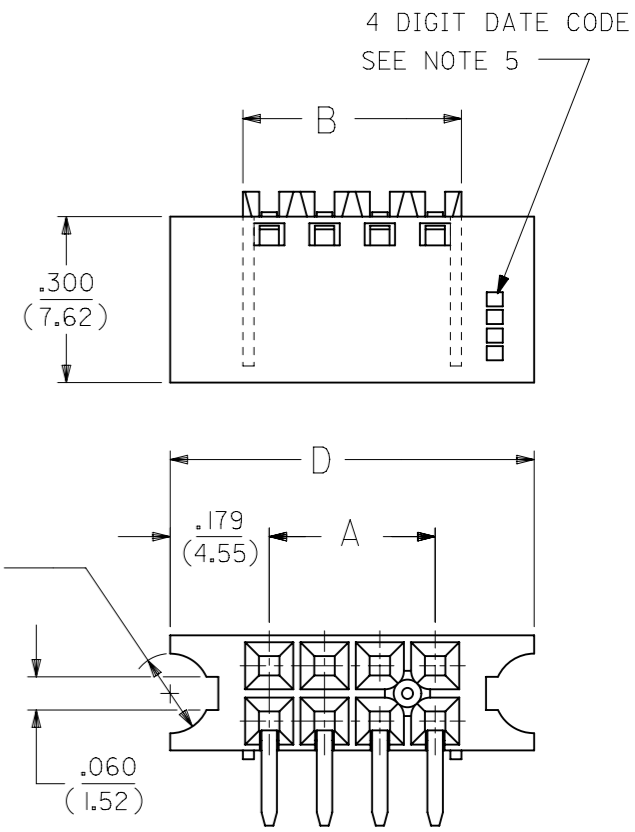
- 1.) MATERIAL -  
INSULATOR - LCP, UL 94V-0, COLOR BLACK  
CONTACTS - PHOSPHOR BRONZE
- 2.) SEE SHT. 13 & 14 FOR CHART DIMENSIONS AND EDP NO.'S
- 3.) RECOMMENDED MATING PIN LENGTH:  
LOWER ROW - .200" MIN., .250" MAX.  
UPPER ROW - .200" MIN.
- 4.) REFER TO PRODUCT SPECIFICATION PS-71973-9999 FOR PERFORMANCE DATA
- 5.) MANUFACTURED DATE CODE - YEAR, WEEK.
- 6.) PACKAGING: FOR THIS PRODUCT IN TUBES SEE SHT. 14 & 15  
FOR THIS PRODUCT IN TRAYS SEE SHT. 16 & 17

**FINISHES**

- 15 GOLD .000015 MINIMUM GOLD PLATE IN SELECT AREA OVER .000050 MINIMUM NICKEL UNDERPLATE OVER-ALL WITH .000075 MINIMUM TIN PLATE IN SELECT AREA.
- 30 GOLD .000030 MINIMUM GOLD PLATE IN SELECT AREA OVER .000050 MINIMUM NICKEL UNDERPLATE OVER-ALL WITH .000075 MINIMUM TIN PLATE IN SELECT AREA.
- 50 GOLD .000050 MINIMUM GOLD PLATE IN SELECT AREA OVER .000050 MINIMUM NICKEL UNDERPLATE OVER-ALL WITH .000100 MINIMUM TIN PLATE IN SELECT AREA.

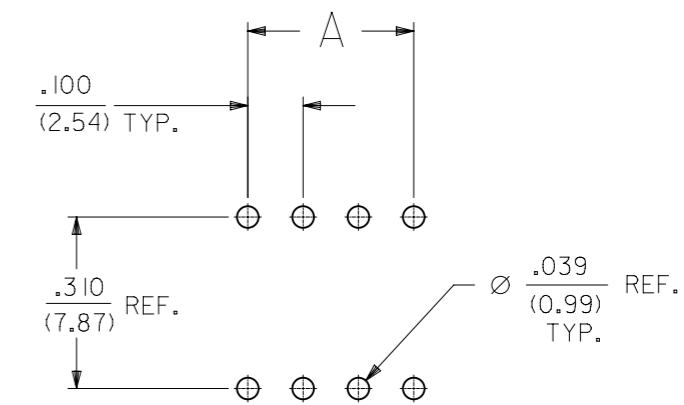


SECTION C-C



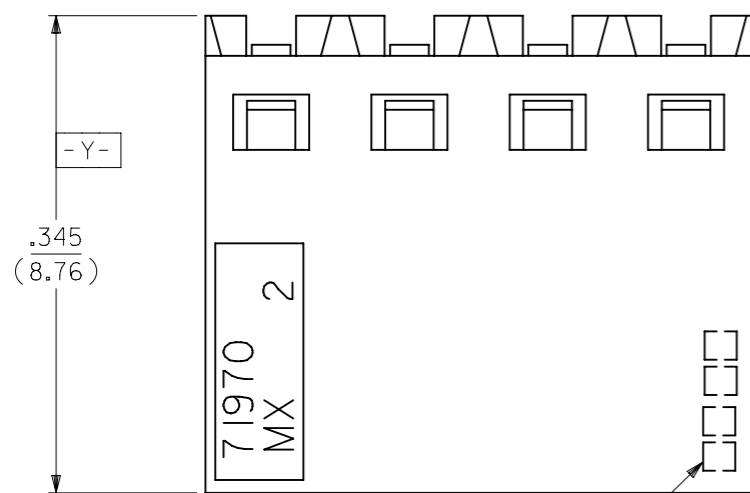
OPTION "F" ASSEMBLY  
STD. HOUSING W/MOUNTING EARS  
AND LOWER ROW PINSTOP  
SCALE 4:1

REFER TO OPT. E FOR ALL OTHER INFORMATION

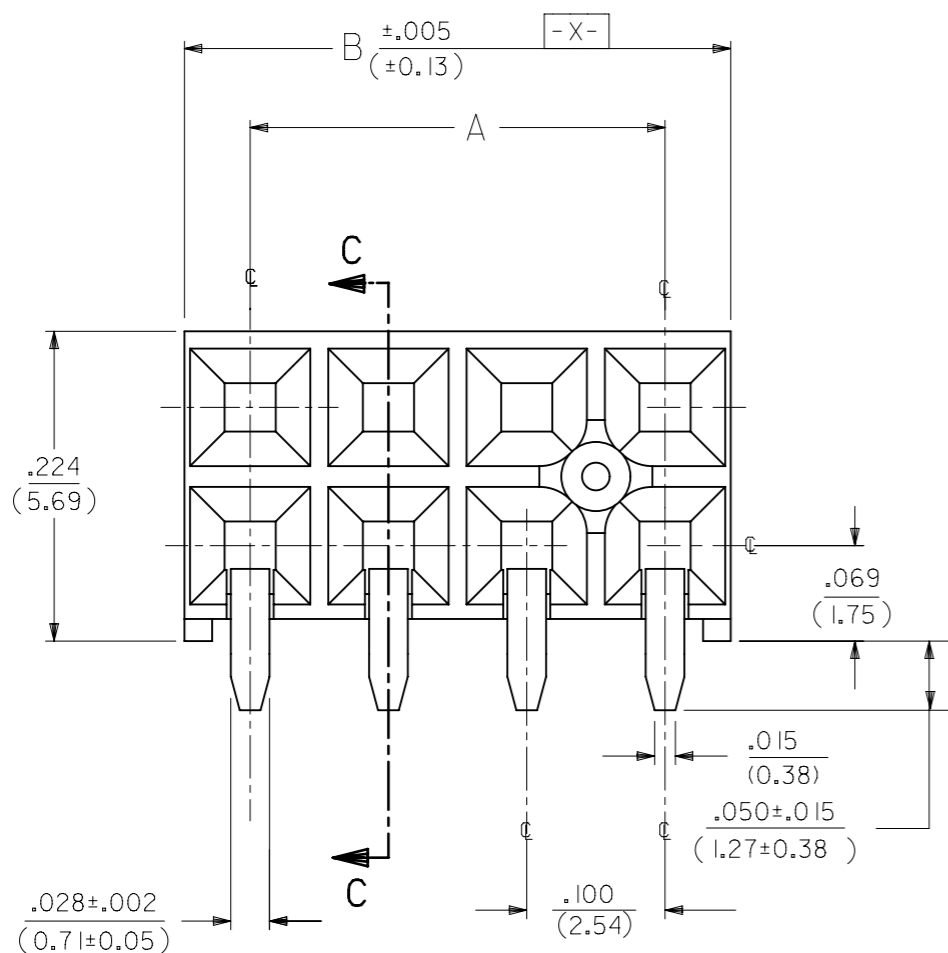


RECOMMENDED P.C.B. LAYOUT

THIS DRAWING CONTAINS INFORMATION THAT IS PROPRIETARY TO MOLEX ELECTRONIC TECHNOLOGIES, LLC AND SHOULD NOT BE USED WITHOUT WRITTEN PERMISSION		CURRENT REV DESC: OBSOLETE PART NUMBER		<b>molex</b>	
DIMENSION UNITS: IN/MM		SCALE: NTS			
GENERAL TOLERANCES (UNLESS SPECIFIED)				EARLY ENTRY R/A RECPT .120"PC TAIL W/O LOWER ROW PINSTOP-.100" GRID	
				PRODUCT CUSTOMER DRAWING	
4 PLACES ±				DOCUMENT NUMBER: SDA-71973-XXXX	
3 PLACES ±				DOC TYPE: PSD	
2 PLACES ±				DOC PART: 001	
1 PLACE ±				REVISION: L	
0 PLACES ±				SERIES: 71973	
ANGULAR TOL ± 0.5°				MATERIAL NUMBER: SEE TABLE	
DRAFT WHERE APPLICABLE MUST REMAIN WITHIN DIMENSIONS				CUSTOMER: GENERAL MARKET	
THIRD ANGLE PROJECTION				SHEET NUMBER: 2 OF 25	
DRAWING: A3-SIZE					



4 DIGIT DATE CODE  
SEE NOTE 5



⊕ ∅.015 ⊕ TAIL TO TAIL  
⊕ ∅.020 ⊕ X ⊕ Y ⊕ TAIL TO INSULATOR

**OPTION "G" ASSEMBLY**  
STANDARD HOUSING

NOTE FOR LEAD FREE CONVERSION:

THE PRIMARY SHIPPING CARTON WILL BE LABELED "COMPLIANT TO RoHS DIRECTIVE 2002/95/EC AND ELV ANNEX II OF DIRECTIVE 2000/53/EC". CARTONS WITHOUT THIS LABEL MAY CONTAIN PRODUCT WITH LEAD.

**NOTES:**

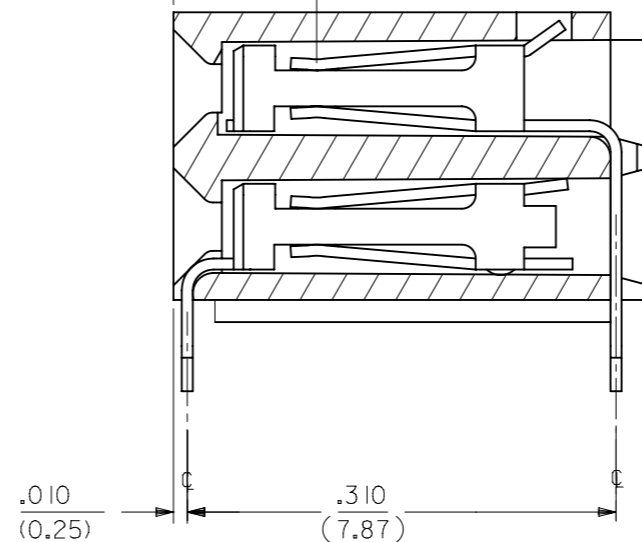
- 1.) MATERIAL -  
INSULATOR - LCP, UL 94V-0, COLOR BLACK  
CONTACTS - PHOSPHOR BRONZE
- 2.) SEE SHT. 17 & 18 FOR CHART DIMENSIONS AND EDP NO.'S
- 3.) RECOMMENDED MATING PIN LENGTH:  
LOWER ROW - .200" MIN., .250" MAX.  
UPPER ROW - .200" MIN.
- 4.) REFER TO PRODUCT SPECIFICATION PS-71973-9999 FOR PERFORMANCE DATA
- 5.) MANUFACTURED DATE CODE - YEAR, WEEK.
- 6.) PACKAGING: FOR THIS PRODUCT IN TUBES SEE SHT. 18 & 19  
FOR THIS PRODUCT IN TRAYS SEE SHT. 20 & 21

**FINISHES**

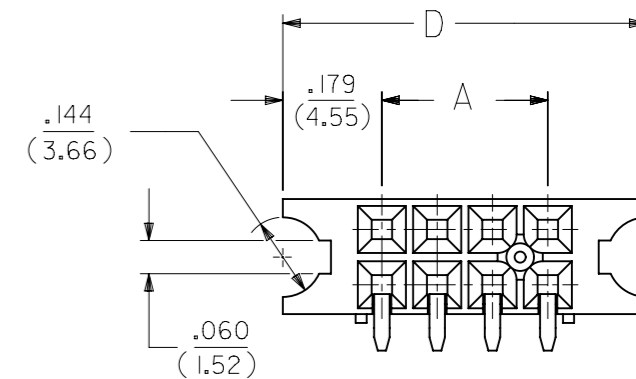
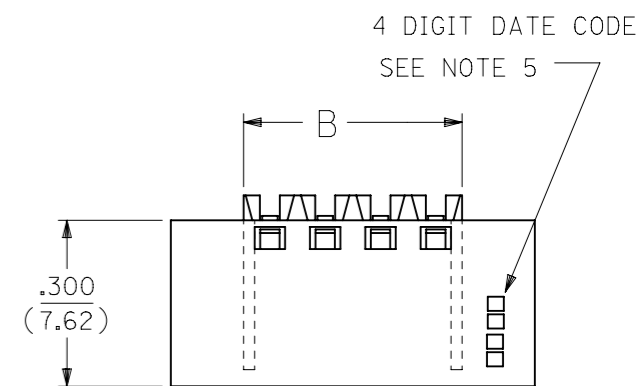
- 15 GOLD .000015 MINIMUM GOLD PLATE IN SELECT AREA OVER .000050 MINIMUM NICKEL UNDERPLATE OVER-ALL WITH .000075 MINIMUM TIN PLATE IN SELECT AREA.
- 30 GOLD .000030 MINIMUM GOLD PLATE IN SELECT AREA OVER .000050 MINIMUM NICKEL UNDERPLATE OVER-ALL WITH .000075 MINIMUM TIN PLATE IN SELECT AREA.
- 50 GOLD .000050 MINIMUM GOLD PLATE IN SELECT AREA OVER .000050 MINIMUM NICKEL UNDERPLATE OVER-ALL WITH .000100 MINIMUM TIN PLATE IN SELECT AREA.

.105  
(2.67)

POINT OF CONTACT

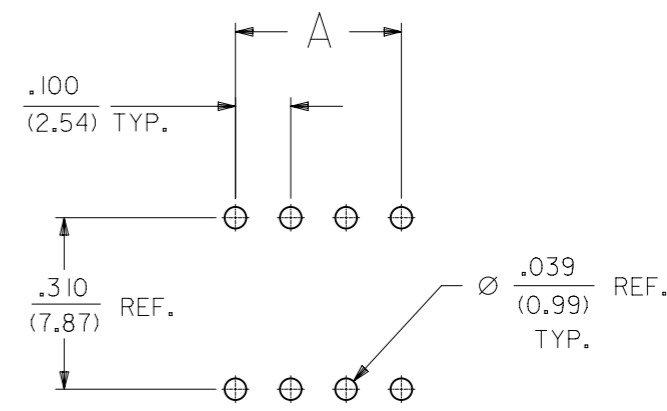


**SECTION C-C**



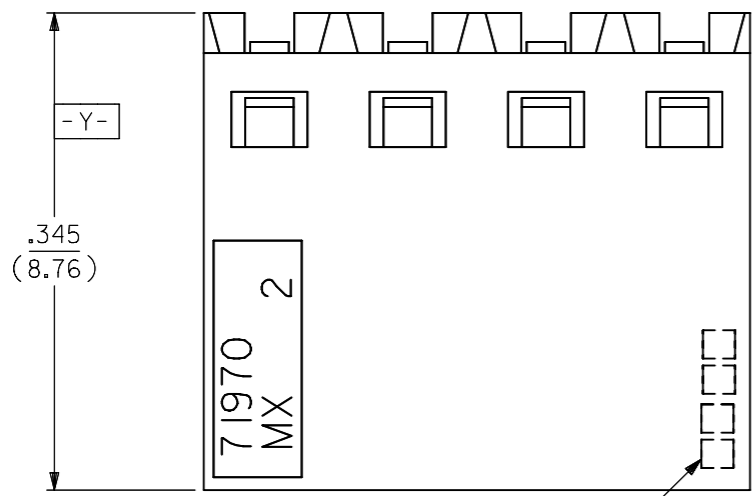
**OPTION "H" ASSEMBLY**  
STD. HOUSING W/MOUNTING EARS  
AND LOWER PINSTOP  
SCALE 4:1

REFER TO OPT. G FOR ALL OTHER INFORMATION

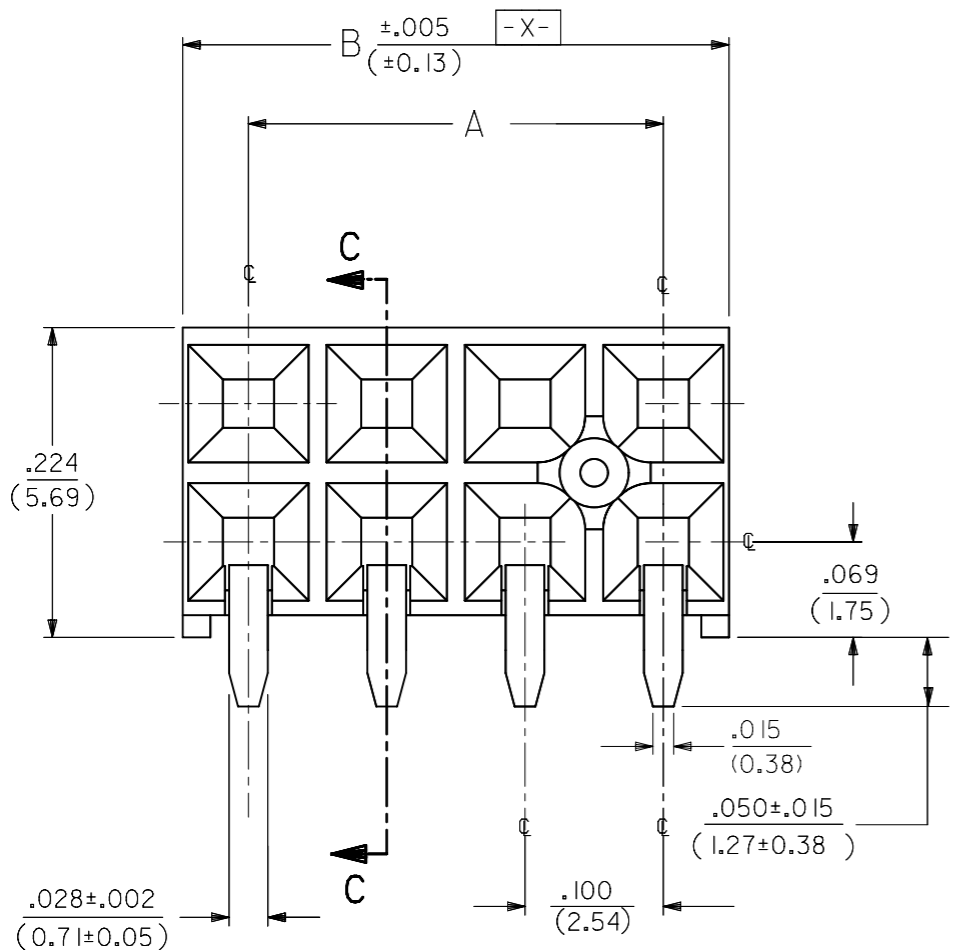


**RECOMMENDED P.C.B. LAYOUT**

THIS DRAWING CONTAINS INFORMATION THAT IS PROPRIETARY TO MOLEX ELECTRONIC TECHNOLOGIES, LLC AND SHOULD NOT BE USED WITHOUT WRITTEN PERMISSION		CURRENT REV DESC: OBSOLETE PART NUMBER		<b>molex</b>	
DIMENSION UNITS: IN/MM		SCALE: NTS			
GENERAL TOLERANCES (UNLESS SPECIFIED)				EARLY ENTRY R/A RECPT .120"PC TAIL W/O LOWER ROW PINSTOP-.100" GRID	
				PRODUCT CUSTOMER DRAWING	
4 PLACES ±				DOCUMENT NUMBER: SDA-71973-XXXX	
3 PLACES ± 0.01				DOC TYPE: PSD	
2 PLACES ± 0.25				DOC PART: 001	
1 PLACE ±				REVISION: L	
0 PLACES ±				SHEET NUMBER: 3 OF 25	
ANGULAR TOL ± 0.5°				MATERIAL NUMBER: SEE TABLE	
DRAFT WHERE APPLICABLE MUST REMAIN WITHIN DIMENSIONS				CUSTOMER: GENERAL MARKET	
THIRD ANGLE PROJECTION		DRAWING: A3-SIZE		SERIES: 71973	
EC NO: 718009		DRWN: DJB		DATE: 2010/01/14	
CHK'D: DANUSA		APPR: MRAMAKRISHNA		DATE: 2022/09/16	
INITIAL REVISION:		DATE: 1991/10/21		DATE: 2010/01/14	



4 DIGIT DATE CODE  
SEE NOTE 5



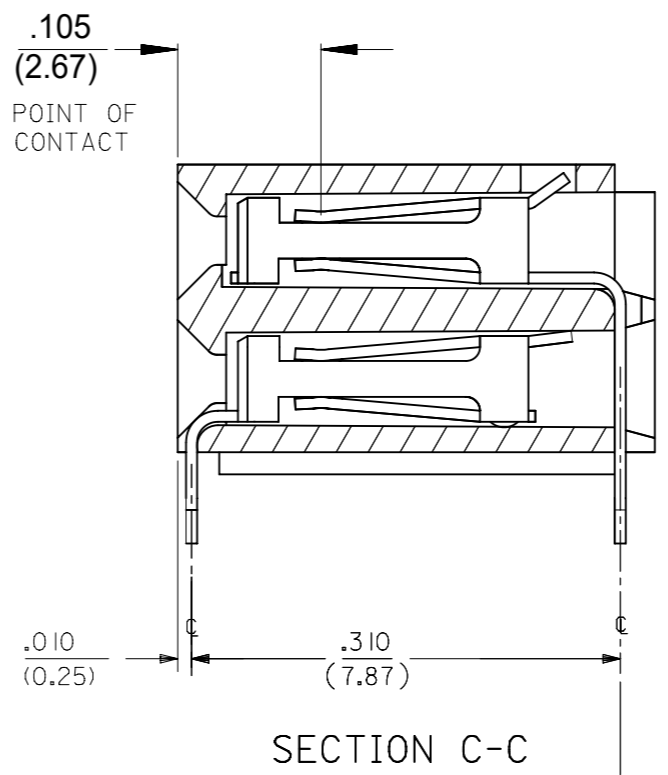
⊕	∅.015	Ⓢ	TAIL TO TAIL
⊕	∅.020	Ⓢ	X
		Ⓢ	Y
		Ⓢ	TAIL TO INSULATOR

OPTION "C" ASSEMBLY  
STANDARD HOUSING

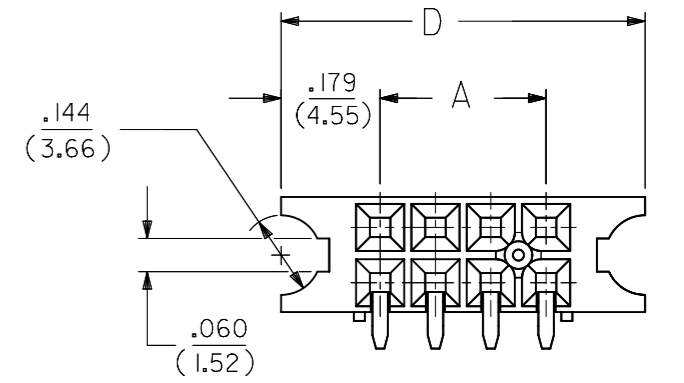
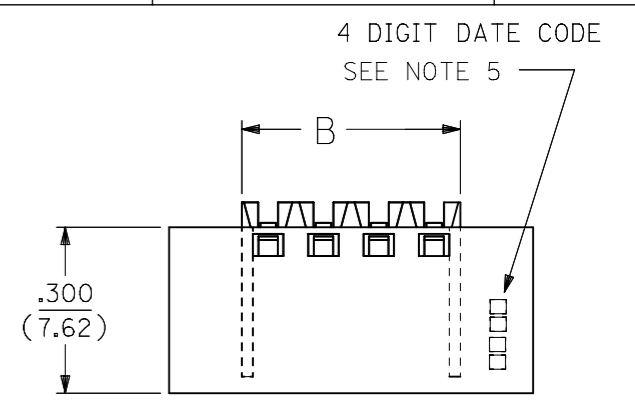
- NOTES:**
- MATERIAL -  
INSULATOR - LCP, UL 94V-0, COLOR BLACK  
CONTACTS - PHOSPHOR BRONZE
  - SEE SHT. 9 & 10 FOR CHART DIMENSIONS AND EDP NO.'S
  - RECOMMENDED MATING PIN LENGTH:  
LOWER ROW - .200" MIN., .285" MAX.  
UPPER ROW - .200" MIN.
  - REFER TO PRODUCT SPECIFICATION PS-71973-9999 FOR PERFORMANCE DATA
  - MANUFACTURED DATE CODE - YEAR, WEEK.
  - PACKAGING: FOR THIS PRODUCT IN TUBES SEE SHT. 10 & 11  
FOR THIS PRODUCT IN TRAYS SEE SHT. 12 & 13

**FINISHES**

- 15 GOLD .000015 MINIMUM GOLD PLATE IN SELECT AREA OVER .000050 MINIMUM NICKEL UNDERPLATE OVER-ALL WITH .000075 MINIMUM TIN PLATE IN SELECT AREA.
- 30 GOLD .000030 MINIMUM GOLD PLATE IN SELECT AREA OVER .000050 MINIMUM NICKEL UNDERPLATE OVER-ALL WITH .000075 MINIMUM TIN PLATE IN SELECT AREA.
- 50 GOLD .000050 MINIMUM GOLD PLATE IN SELECT AREA OVER .000050 MINIMUM NICKEL UNDERPLATE OVER-ALL WITH .000100 MINIMUM TIN PLATE IN SELECT AREA.

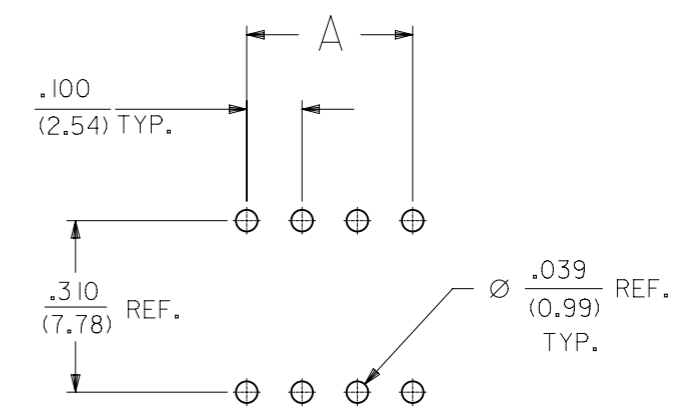


SECTION C-C



OPTION "D" ASSEMBLY  
STD. HOUSING W/MOUNTING EARS  
SCALE 4:1

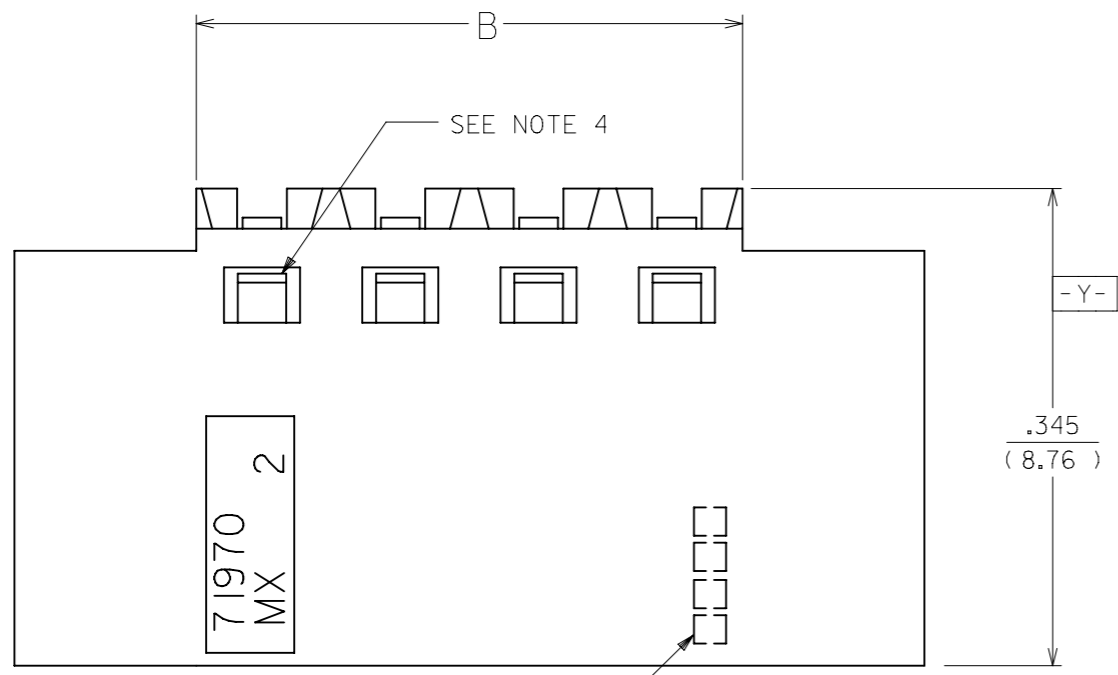
REFER TO OPT. C FOR ALL OTHER INFORMATION



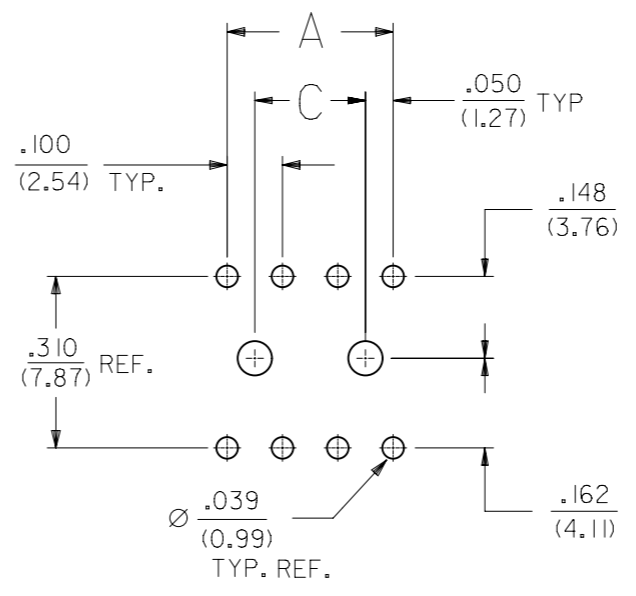
RECOMMENDED P.C.B. LAYOUT

NOTE FOR LEAD FREE CONVERSION:  
THE PRIMARY SHIPPING CARTON WILL BE LABELED "COMPLIANT TO ROHS DIRECTIVE 2002/95/EC AND ELV ANNEX II OF DIRECTIVE 2000/53/EC". CARTONS WITHOUT THIS LABEL MAY CONTAIN PRODUCT WITH LEAD.

THIS DRAWING CONTAINS INFORMATION THAT IS PROPRIETARY TO MOLEX ELECTRONIC TECHNOLOGIES, LLC AND SHOULD NOT BE USED WITHOUT WRITTEN PERMISSION		CURRENT REV DESC: OBSOLETE PART NUMBER		<b>molex</b>	
DIMENSION UNITS: IN/MM		SCALE: NTS			
GENERAL TOLERANCES (UNLESS SPECIFIED)				EARLY ENTRY R/A RECPT .120"PC TAIL W/O LOWER ROW PINSTOP-.100" GRID	
				PRODUCT CUSTOMER DRAWING	
4 PLACES ±				EC NO: 718009	
3 PLACES ±				DRWN: ABHISP1 2021/02/12	
2 PLACES ±				CHK'D: DANUSA 2022/09/16	
1 PLACE ±				APPR: MRAMAKRISHNA 2022/09/16	
0 PLACES ±				INITIAL REVISION:	
ANGULAR TOL ± 0.5°				DRWN: DJB 1991/10/21	
DRAFT WHERE APPLICABLE MUST REMAIN WITHIN DIMENSIONS				APPR: MLONG 2010/01/14	
THIRD ANGLE PROJECTION		DRAWING		DOCUMENT NUMBER	
A3-SIZE		SERIES		SDA-71973-XXXX	
MATERIAL NUMBER		CUSTOMER		DOC TYPE DOC PART REVISION	
SEE TABLE		GENERAL MARKET		PSD 001 L	
SHEET NUMBER		4 OF 25			



4 DIGIT DATE CODE  
SEE NOTE 5

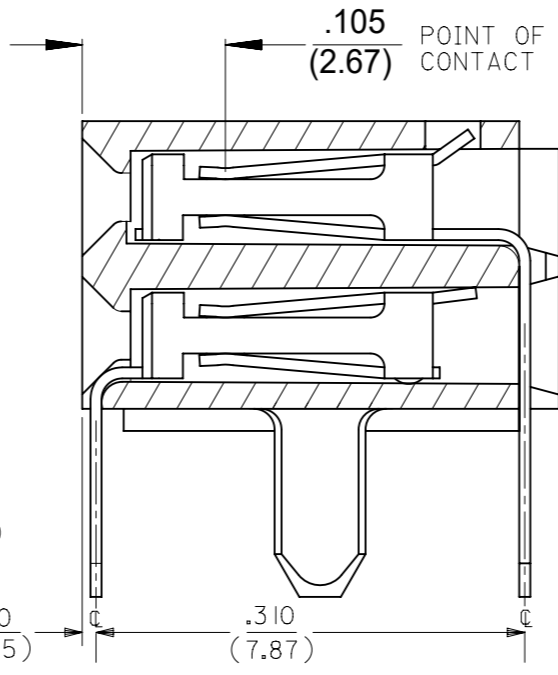
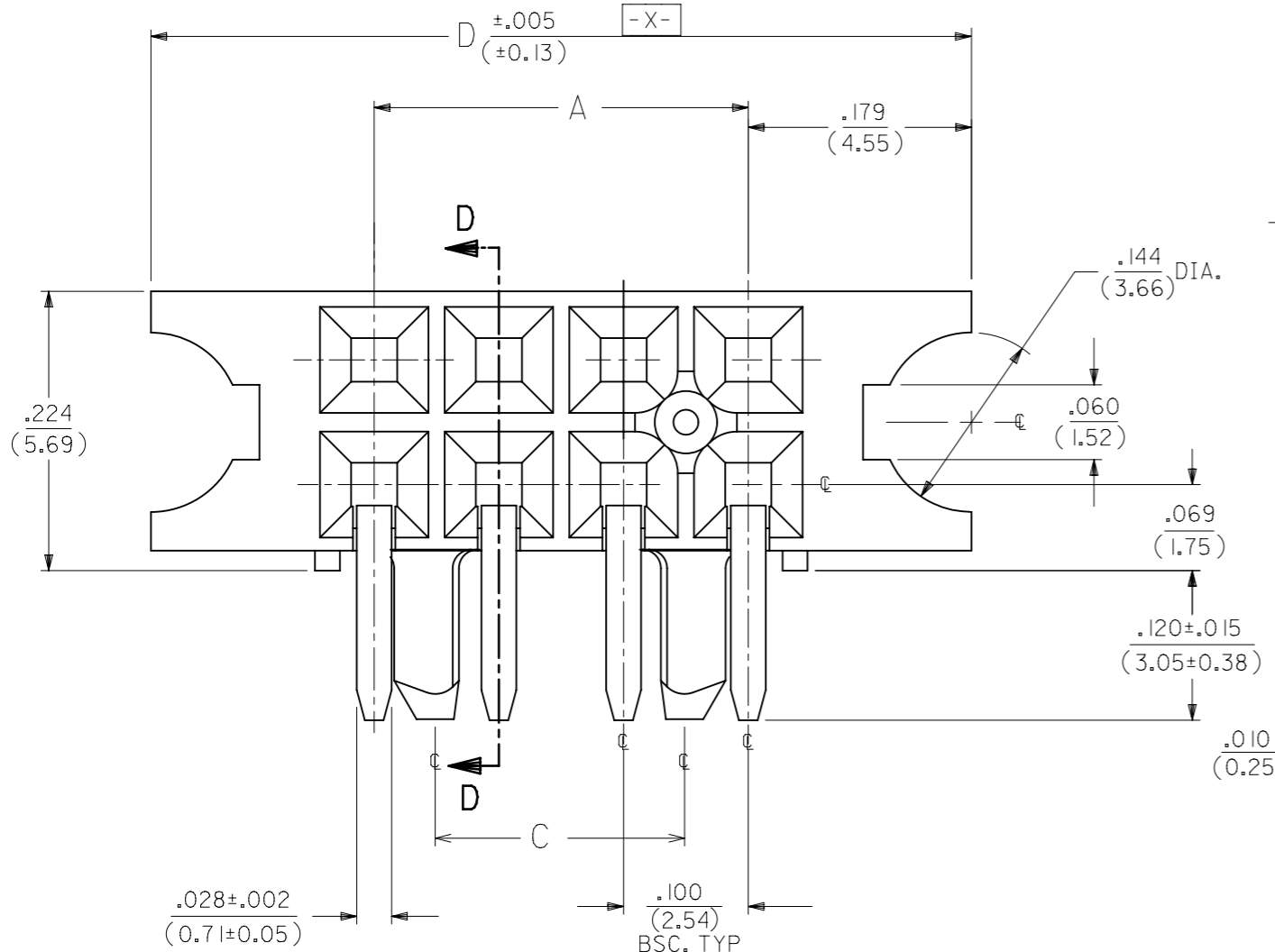


RECOMMENDED P.C.B.  
LAYOUT

SCALE 4:1

FINISHES PER ES-88-(\*\*\*)

- 15 GOLD .000015 MINIMUM GOLD PLATE IN SELECT AREA OVER .000050 MINIMUM NICKEL UNDERPLATE OVER-ALL WITH .000075 MINIMUM TIN PLATE IN SELECT AREA.
- 30 GOLD .000030 MINIMUM GOLD PLATE IN SELECT AREA OVER .000050 MINIMUM NICKEL UNDERPLATE OVER-ALL WITH .000075 MINIMUM TIN PLATE IN SELECT AREA.
- 50 GOLD .000050 MINIMUM GOLD PLATE IN SELECT AREA OVER .000050 MINIMUM NICKEL UNDERPLATE OVER-ALL WITH .000100 MINIMUM TIN PLATE IN SELECT AREA.



NOTE FOR LEAD FREE CONVERSION:

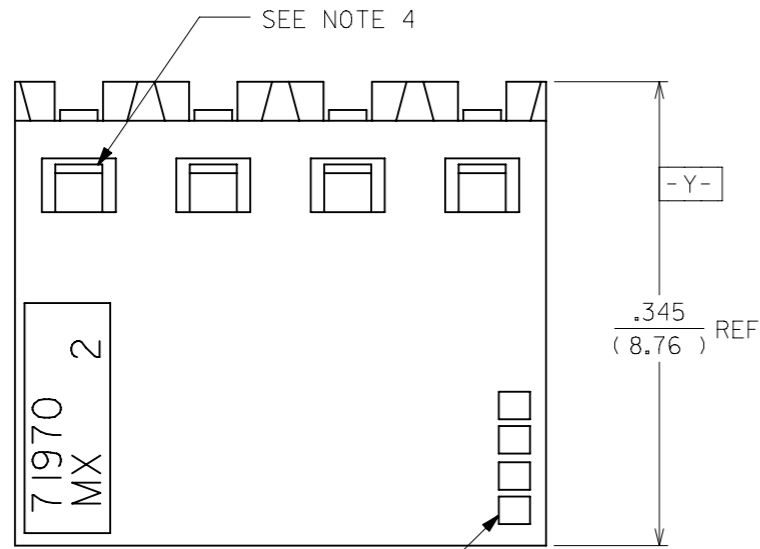
THE PRIMARY SHIPPING CARTON WILL BE LABELED "COMPLIANT TO RoHS DIRECTIVE 2002/95/EC AND ELV ANNEX II OF DIRECTIVE 2000/53/EC". CARTONS WITHOUT THIS LABEL MAY CONTAIN PRODUCT WITH LEAD.

⊕ ∅.015 (S) TAIL TO TAIL  
⊕ ∅.020 (S) X (S) Y (S) TAIL TO INSULATOR  
(SEE NOTE 7)

OPTION "I" ASSEMBLY

STANDARD HOUSING W/ PEGS AND MOUNTING EARS

THIS DRAWING CONTAINS INFORMATION THAT IS PROPRIETARY TO MOLEX ELECTRONIC TECHNOLOGIES, LLC AND SHOULD NOT BE USED WITHOUT WRITTEN PERMISSION		CURRENT REV DESC: OBSOLETE PART NUMBER			
DIMENSION UNITS: IN/MM		SCALE: NTS			
GENERAL TOLERANCES (UNLESS SPECIFIED)				EARLY ENTRY R/A RECPT	
				.120"PC TAIL W/O LOWER ROW PINSTOP-.100" GRID	
				PRODUCT CUSTOMER DRAWING	
4 PLACES ±				DOCUMENT NUMBER	
3 PLACES ±				SDA-71973-XXXX	
2 PLACES ±				DOC TYPE	
1 PLACE ±				PSD	
0 PLACES ±				DOC PART	
ANGULAR TOL ± 0.5°				001	
DRAFT WHERE APPLICABLE MUST REMAIN WITHIN DIMENSIONS				REVISION	
THIRD ANGLE PROJECTION				L	
DRAWING: A3-SIZE		SERIES: 71973		SHEET NUMBER	
MATERIAL NUMBER: SEE TABLE		CUSTOMER: GENERAL MARKET		5 OF 25	



**FINISHES**

15 GOLD .000015 MINIMUM GOLD PLATE IN SELECT AREA OVER  
.000050 MINIMUM NICKEL UNDERPLATE OVER-ALL WITH  
.000075 MINIMUM TIN PLATE IN SELECT AREA.

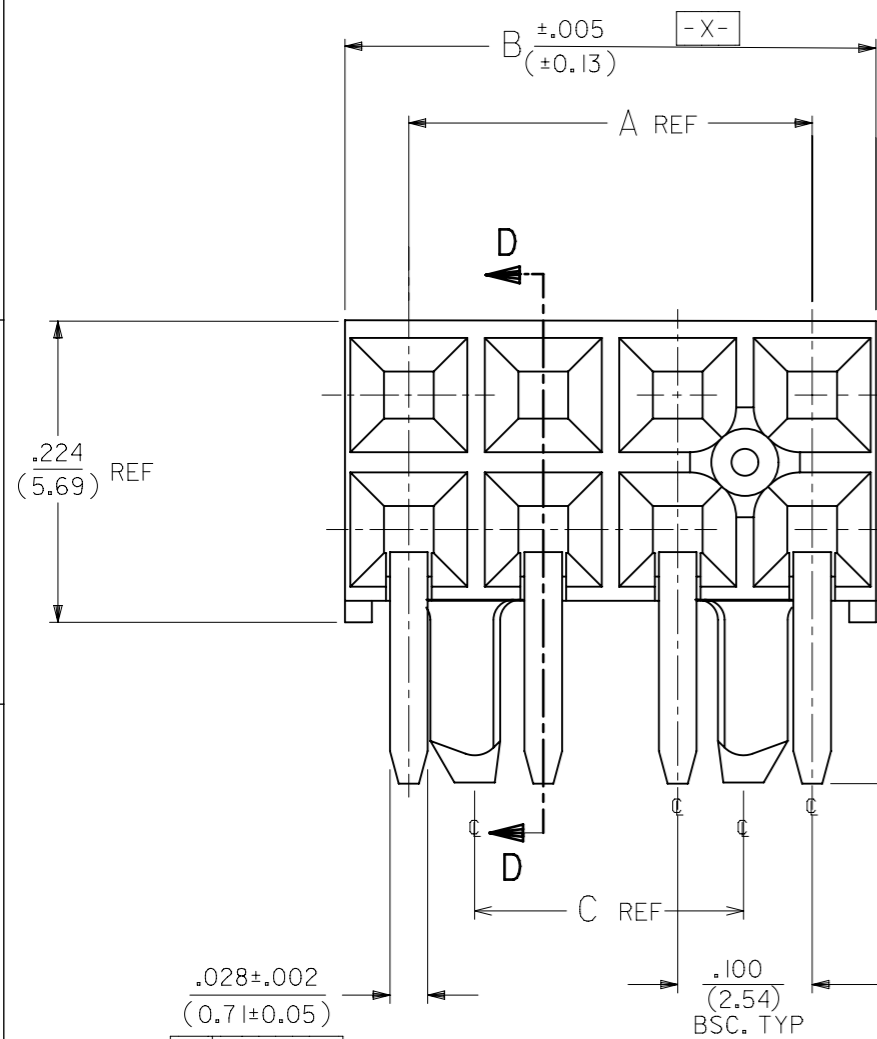
30 GOLD .000030 MINIMUM GOLD PLATE IN SELECT AREA OVER  
.000050 MINIMUM NICKEL UNDERPLATE OVER-ALL WITH  
.000075 MINIMUM TIN PLATE IN SELECT AREA.

50 GOLD .000050 MINIMUM GOLD PLATE IN SELECT AREA OVER  
.000050 MINIMUM NICKEL UNDERPLATE OVER-ALL WITH  
.000100 MINIMUM TIN PLATE IN SELECT AREA.

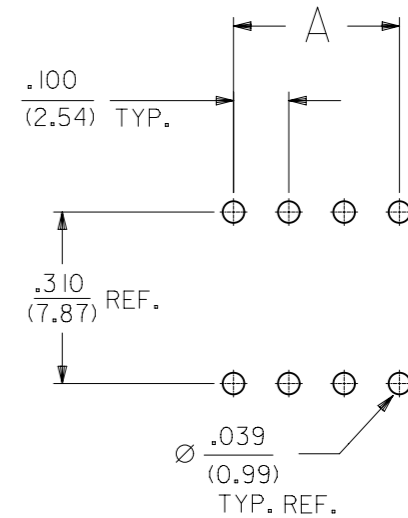
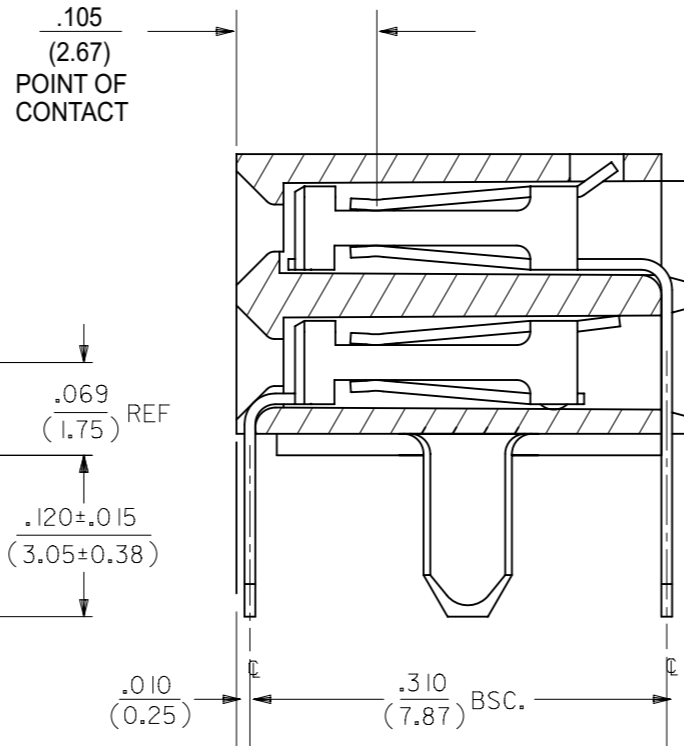
**NOTES:**

- 1.) MATERIAL-  
INSULATOR - LCP, UL 94V-0, COLOR BLACK  
CONTACTS - PHOSPHOR BRONZE
- 2.) SEE SHT. 25 FOR CHART DIMENSIONS AND ITEM NO.'S
- 3.) RECOMMENDED MATING PIN LENGTH:  
LOWER ROW - .200" MINIMUM, .285" MAX.  
UPPER ROW - .200" MINIMUM
- 4.) REFER TO PRODUCT SPECIFICATION PS-71973-9999 FOR PERFORMANCE DATA
- 5.) MANUFACTURED DATE CODE - YEAR, WEEK.
- 6.) PACKAGING: FOR THIS PRODUCT IN TUBES SEE SHT. 25

4 DIGIT DATE CODE  
SEE NOTE 5



**SECTION D-D**

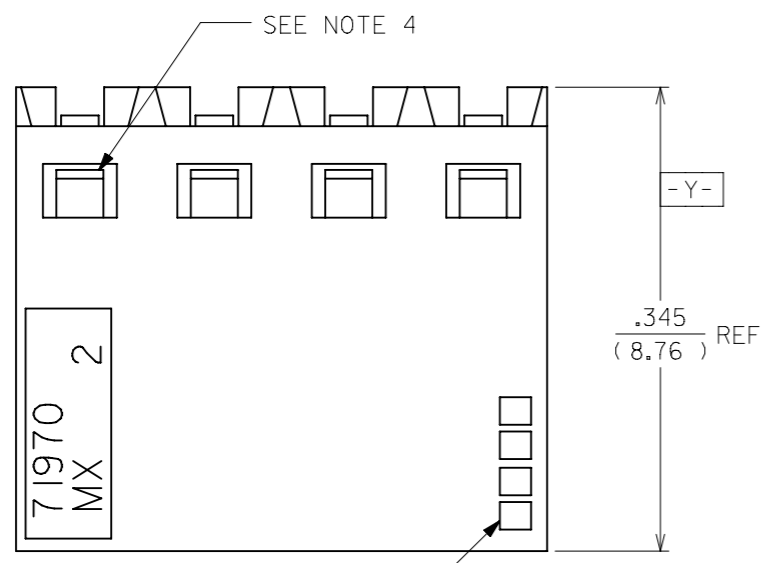


RECOMMENDED P.C.B.  
LAYOUT

⊕ Ø.015 ⊗ TAIL TO TAIL  
⊕ Ø.020 ⊗ X ⊗ Y ⊗ TAIL TO INSULATOR  
(SEE NOTE 8)

OPTION "K" ASSEMBLY  
STANDARD HOUSING W/ PEGS

THIS DRAWING CONTAINS INFORMATION THAT IS PROPRIETARY TO MOLEX ELECTRONIC TECHNOLOGIES, LLC AND SHOULD NOT BE USED WITHOUT WRITTEN PERMISSION											
DIMENSION UNITS		SCALE		CURRENT REV DESC: OBSOLETE PART NUMBER							
IN/MM		NTS									
GENERAL TOLERANCES (UNLESS SPECIFIED)											
		MM		INCH							
4 PLACES		±		±							
3 PLACES		±		± 0.01							
2 PLACES		±		0.25							
1 PLACE		±		±							
0 PLACES		±		±							
ANGULAR TOL ± 0.5°				INITIAL REVISION:				DOCUMENT NUMBER			
				DRWN: DJB				SDA-71973-XXXX			
				APPR: MLONG				PSD 001 L			
DRAFT WHERE APPLICABLE MUST REMAIN WITHIN DIMENSIONS				THIRD ANGLE PROJECTION		DRAWING		SERIES		SHEET NUMBER	
						A3-SIZE		71973		6 OF 25	



4 DIGIT DATE CODE  
SEE NOTE 5

**FINISHES**

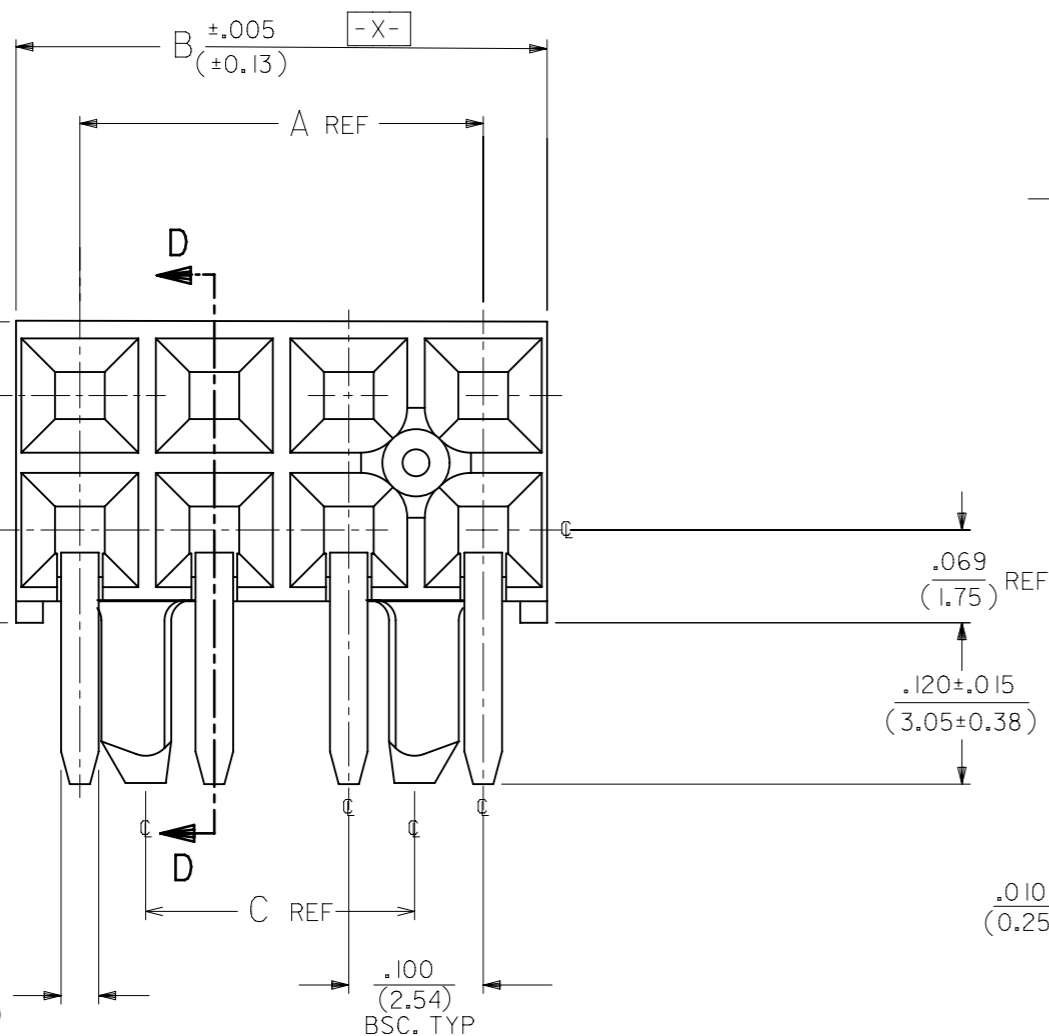
15 GOLD .000015 MINIMUM GOLD PLATE IN SELECT AREA OVER  
.000050 MINIMUM NICKEL UNDERPLATE OVER-ALL WITH  
.000075 MINIMUM TIN PLATE IN SELECT AREA.

30 GOLD .000030 MINIMUM GOLD PLATE IN SELECT AREA OVER  
.000050 MINIMUM NICKEL UNDERPLATE OVER-ALL WITH  
.000075 MINIMUM TIN PLATE IN SELECT AREA.

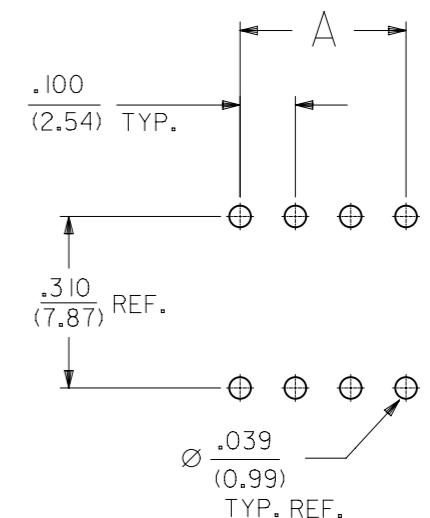
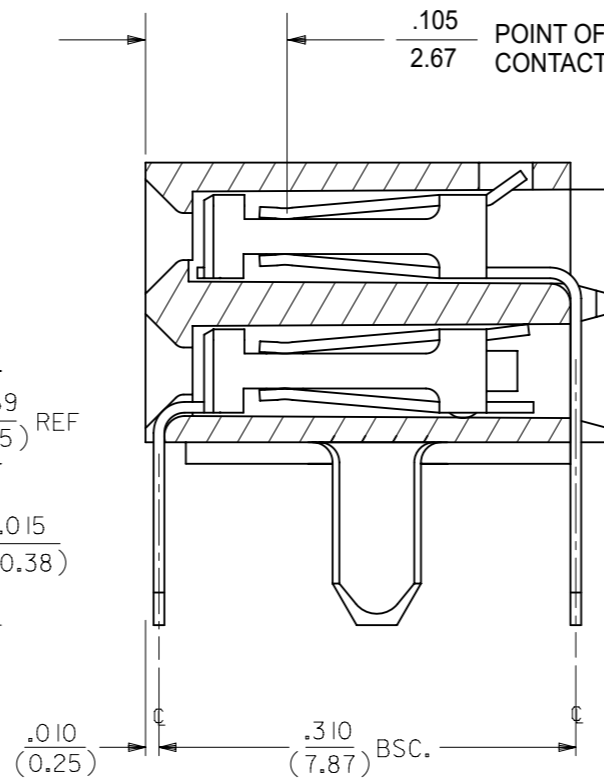
50 GOLD .000050 MINIMUM GOLD PLATE IN SELECT AREA OVER  
.000050 MINIMUM NICKEL UNDERPLATE OVER-ALL WITH  
.000100 MINIMUM TIN PLATE IN SELECT AREA.

NOTES:

- 1.) MATERIAL -  
INSULATOR - LCP, UL 94V-0, COLOR BLACK  
CONTACTS - PHOSPHOR BRONZE
- 2.) SEE SHT. 22 FOR CHART DIMENSIONS AND ITEM NO.'S
- 3.) RECOMMENDED MATING PIN LENGTH:  
LOWER ROW - .200" MINIMUM, .250" MAX.  
UPPER ROW - .200" MINIMUM
- 4.) REFER TO PRODUCT SPECIFICATION PS-71973-9999 FOR PERFORMANCE DATA
- 5.) MANUFACTURED DATE CODE - YEAR, WEEK.
- 6.) PACKAGING: FOR THIS PRODUCT IN TUBES SEE SHT. 26



**SECTION D-D**



RECOMMENDED P.C.B.  
LAYOUT


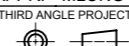
⊕ ∅.015 ⊕ TAIL TO TAIL  
⊕ ∅.020 ⊕ X ⊕ Y ⊕ TAIL TO INSULATOR  
(SEE NOTE 8)

OPTION "L" ASSEMBLY  
STANDARD HOUSING W/ PEGS

THIS DRAWING CONTAINS INFORMATION THAT IS PROPRIETARY TO MOLEX ELECTRONIC TECHNOLOGIES, LLC AND SHOULD NOT BE USED WITHOUT WRITTEN PERMISSION		CURRENT REV DESC: OBSOLETE PART NUMBER			
DIMENSION UNITS	SCALE	EC NO: 718009			
IN/MM	NTS	DRWN: ABHISP1 2021/02/12		PRODUCT CUSTOMER DRAWING	
GENERAL TOLERANCES (UNLESS SPECIFIED)		CHK'D: DANUSA 2022/09/16		DOCUMENT NUMBER	
		APPR: MRAMAKRISHNA 2022/09/16		SDA-71973-XXXX	
		INITIAL REVISION:		DOC TYPE	
		DRWN: DJB 1991/10/21		PSD	
		APPR: MLONG 2010/01/14		DOC PART	
		ANGULAR TOL ± 0.5°		001	
DRAFT WHERE APPLICABLE MUST REMAIN WITHIN DIMENSIONS		THIRD ANGLE PROJECTION		REVISION	
		DRAWING		L	
		SERIES		SHEET NUMBER	
		A3-SIZE 71973		7 OF 25	
		MATERIAL NUMBER		CUSTOMER	
		SEE TABLE		GENERAL MARKET	

10		9				8		7		6	
NO. OF CKTS		OPTION A ASSEMBLY PACKAGED IN TUBES PER PK-70873-0138 (SEE SHEET 1 FOR FINISH SPECIFICATIONS)						DIMENSION			
PER ROW	TOTAL	TIN	15 GOLD	30 GOLD	50 GOLD	A	B				
4	8			71973-0304		.300 (7.62)	.395 (10.03)				
5	10		71973-0205	71973-0305		.400 (10.16)	.495 (12.57)				
6	12		71973-0206	71973-0306		.500 (12.70)	.595 (15.11)				
7	14		71973-0207	71973-0307		.600 (15.24)	.695 (17.65)				
8	16		71973-0208	71973-0308		.700 (17.78)	.795 (20.19)				
9	18			71973-0309		.800 (20.32)	.895 (22.73)				
10	20		71973-0210	71973-0310		.900 (22.86)	.995 (25.27)				
11	22		71973-0211	71973-0311		1.000 (25.40)	1.095 (27.81)				
12	24		71973-0212	71973-0312		1.100 (27.94)	1.195 (30.35)				
13	26		71973-0213	71973-0313		1.200 (30.48)	1.295 (32.89)				
14	28		71973-0214	71973-0314		1.300 (33.02)	1.395 (35.43)				
15	30			71973-0315		1.400 (35.56)	1.495 (37.97)				
16	32		71973-0216	71973-0316		1.500 (38.10)	1.595 (40.51)				
17	34		71973-0217			1.600 (40.64)	1.695 (43.05)				
18	36			71973-0318		1.700 (43.18)	1.795 (45.59)				
19	38		71973-0219	71973-0319		1.800 (45.72)	1.895 (48.13)				
20	40		71973-0220	71973-0320		1.900 (48.26)	1.995 (50.67)				
21	42		71973-0221	71973-0321		2.000 (50.80)	2.095 (53.21)				
22	44		71973-0222	71973-0322		2.100 (53.34)	2.195 (55.75)				
23	46		71973-0223	71973-0323		2.200 (55.88)	2.295 (58.29)				
24	48		71973-0224	71973-0324		2.300 (58.42)	2.395 (60.83)				
25	50		71973-0225	71973-0325		2.400 (60.96)	2.495 (63.37)				
26	52		71973-0226	71973-0326		2.500 (63.50)	2.595 (65.91)				
27	54		71973-0227	71973-0327		2.600 (66.04)	2.695 (68.45)				
28	56		71973-0228	71973-0328		2.700 (68.58)	2.795 (70.99)				
29	58		71973-0229	71973-0329		2.800 (71.12)	2.895 (73.53)				
30	60		71973-0230	71973-0330		2.900 (73.66)	2.995 (76.07)				
31	62	(L) 71973-0131	71973-0231	71973-0331		3.000 (76.20)	3.095 (78.61)				
32	64		71973-0232	71973-0332		3.100 (78.74)	3.195 (81.15)				

5		4				3		2		1	
NO. OF CKTS		OPTION A ASSEMBLY PACKAGED IN TUBES PER PK-70873-0138 (SEE SHEET 1 FOR FINISH SPECIFICATIONS)						DIMENSION			
PER ROW	TOTAL		15 GOLD	30 GOLD	50 GOLD	A	B				
33	66		71973-0233	71973-0333		3.200 (81.28)	3.295 (83.69)				
34	68		71973-0234	71973-0334		3.300 (83.82)	3.395 (86.23)				
35	70		71973-0235	71973-0335		3.400 (86.36)	3.495 (88.77)				
36	72		71973-0236	71973-0336		3.500 (88.90)	3.595 (91.31)				


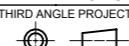
THIS DRAWING CONTAINS INFORMATION THAT IS PROPRIETARY TO MOLEX ELECTRONIC TECHNOLOGIES, LLC AND SHOULD NOT BE USED WITHOUT WRITTEN PERMISSION															
DIMENSION UNITS		SCALE		CURRENT REV DESC: OBSOLETE PART NUMBER						 EARLY ENTRY R/A RECPT .120"PC TAIL W/O LOWER ROW PINSTOP-.100" GRID					
IN/MM		NTS													
GENERAL TOLERANCES (UNLESS SPECIFIED)															
		MM		INCH											
4 PLACES		±		±											
3 PLACES		±		± 0.01											
2 PLACES		±		± 0.25											
1 PLACE		±		±											
0 PLACES		±		±											
ANGULAR TOL		± 0.5°													
DRAFT WHERE APPLICABLE MUST REMAIN WITHIN DIMENSIONS				THIRD ANGLE PROJECTION		DRAWING		SERIES		MATERIAL NUMBER		CUSTOMER		SHEET NUMBER	
						A3-SIZE		71973		SEE TABLE		GENERAL MARKET		8 OF 25	





10		9			8			7			6		
NO. OF CKTS		OPTION A ASSEMBLY PACKAGED IN TRAYS PER PK-70873-0239 (SEE SHEET 1 FOR FINISH SPECIFICATIONS)						DIMENSION					
PER ROW	TOTAL	15 GOLD		30 GOLD		50 GOLD		A	B				
4	8			71973-6604	71973-6704	71973-6804	.300 (7.62)	.395 (10.03)					
5	10			71973-6605	71973-6705	71973-6805	.400 (10.16)	.495 (12.57)					
6	12			71973-6606	71973-6706	71973-6806	.500 (12.70)	.595 (15.11)					
7	14			71973-6607	71973-6707	71973-6807	.600 (15.24)	.695 (17.65)					
8	16			71973-6608	71973-6708	71973-6808	.700 (17.78)	.795 (20.19)					
9	18				71973-6709	71973-6809	.800 (20.32)	.895 (22.73)					
10	20			71973-6610	71973-6710	71973-6810	.900 (22.86)	.995 (25.27)					
11	22			71973-6611	71973-6711	71973-6811	1.000 (25.40)	1.095 (27.81)					
12	24			71973-6612	71973-6712	71973-6812	1.100 (27.94)	1.195 (30.35)					
13	26			71973-6613	71973-6713	71973-6813	1.200 (30.48)	1.295 (32.89)					
14	28			71973-6614	71973-6714	71973-6814	1.300 (33.02)	1.395 (35.43)					
15	30			71973-6615	71973-6715	71973-6815	1.400 (35.56)	1.495 (37.97)					
16	32			71973-6616	71973-6716	71973-6816	1.500 (38.10)	1.595 (40.51)					
17	34			71973-6617	71973-6717	71973-6817	1.600 (40.64)	1.695 (43.05)					
18	36			71973-6618	71973-6718	71973-6818	1.700 (43.18)	1.795 (45.59)					
19	38			71973-6619	71973-6719	71973-6819	1.800 (45.72)	1.895 (48.13)					
20	40			71973-6620	71973-6720	71973-6820	1.900 (48.26)	1.995 (50.67)					
21	42			71973-6621	71973-6721	71973-6821	2.000 (50.80)	2.095 (53.21)					
22	44			71973-6622	71973-6722	71973-6822	2.100 (53.34)	2.195 (55.75)					
23	46			71973-6623	71973-6723	71973-6823	2.200 (55.88)	2.295 (58.29)					
24	48			71973-6624	71973-6724	71973-6824	2.300 (58.42)	2.395 (60.83)					
25	50			71973-6625	71973-6725	71973-6825	2.400 (60.96)	2.495 (63.37)					
26	52			71973-6626	71973-6726	71973-6826	2.500 (63.50)	2.595 (65.91)					
27	54			71973-6627	71973-6727	71973-6827	2.600 (66.04)	2.695 (68.45)					
28	56			71973-6628	71973-6728	71973-6828	2.700 (68.58)	2.795 (70.99)					
29	58			71973-6629	71973-6729	71973-6829	2.800 (71.12)	2.895 (73.53)					
30	60			71973-6630	71973-6730	71973-6830	2.900 (73.66)	2.995 (76.07)					
31	62			71973-6631	71973-6731	71973-6831	3.000 (76.20)	3.095 (78.61)					
32	64			71973-6632	71973-6732	71973-6832	3.100 (78.74)	3.195 (81.15)					

5		4			3			2			1		
NO. OF CKTS		OPTION A ASSEMBLY PACKAGED IN TRAYS PER PK-70873-0239 (SEE SHEET 1 FOR FINISH SPECIFICATIONS)						DIMENSION					
PER ROW	TOTAL	15 GOLD		30 GOLD		50 GOLD		A	B				
33	66			71973-6633	71973-6733	71973-6833	3.200 (81.28)	3.295 (83.69)					
34	68			71973-6634	71973-6734	71973-6834	3.300 (83.82)	3.395 (86.23)					
35	70			71973-6635	71973-6735	71973-6835	3.400 (86.36)	3.495 (88.77)					
36	72			71973-6636	71973-6736	71973-6836	3.500 (88.90)	3.595 (91.31)					

THIS DRAWING CONTAINS INFORMATION THAT IS PROPRIETARY TO MOLEX ELECTRONIC TECHNOLOGIES, LLC AND SHOULD NOT BE USED WITHOUT WRITTEN PERMISSION											
DIMENSION UNITS		SCALE		CURRENT REV DESC: OBSOLETE PART NUMBER							
IN/MM		NTS		 EARLY ENTRY R/A RECPT .120"PC TAIL W/O LOWER ROW PINSTOP-.100" GRID							
GENERAL TOLERANCES (UNLESS SPECIFIED)											
		MM		INCH		EC NO: 718009		2021/02/12		DOCUMENT NUMBER	
4 PLACES ±		±		±		DRWN: ABHISP1		2022/09/16		DOC TYPE	
3 PLACES ±		± 0.01		±		CHK'D: DANUSA		2022/09/16		DOC PART	
2 PLACES ±		0.25		±		APPR: MRAMAKRISHNA		2022/09/16		REVISION	
1 PLACE ±		±		±		INITIAL REVISION:				SDA-71973-XXXX	
0 PLACES ±		±		±		DRWN: DJB		1991/10/21		PSD	
ANGULAR TOL ±		0.5°		±		APPR: MLONG		2010/01/14		001	
DRAFT WHERE APPLICABLE MUST REMAIN WITHIN DIMENSIONS				THIRD ANGLE PROJECTION		DRAWING		SERIES		MATERIAL NUMBER	
						A3-SIZE		71973		CUSTOMER	
								SEE TABLE		GENERAL MARKET	
										SHEET NUMBER	
										10 OF 25	

10		9			8		7		6	
NO. OF CKTS		OPTION B ASSEMBLY PACKAGED IN TRAYS PER PK-70873-0239 (SEE SHEET 1 FOR FINISH SPECIFICATIONS)					DIMENSION			
PER ROW	TOTAL	15 GOLD		30 GOLD	50 GOLD	A	B	D		
4	8			71973-7104	71973-7204	.300 (7.62)	.395 (10.03)	.658 (16.71)		
5	10		71973-7005	71973-7105	71973-7205	.400 (10.16)	.495 (12.57)	.758 (19.25)		
6	12		71973-7006	71973-7106	71973-7206	.500 (12.70)	.595 (15.11)	.858 (21.79)		
7	14		71973-7007	71973-7107	71973-7207	.600 (15.24)	.695 (17.65)	.958 (24.33)		
8	16		71973-7008	71973-7108	71973-7208	.700 (17.78)	.795 (20.19)	1.058 (26.87)		
9	18		71973-7009	71973-7109	71973-7209	.800 (20.32)	.895 (22.73)	1.158 (29.41)		
10	20			71973-7110	71973-7210	.900 (22.86)	.995 (25.27)	1.258 (31.95)		
11	22		71973-7011	71973-7111	71973-7211	1.000 (25.40)	1.095 (27.81)	1.358 (34.49)		
12	24		71973-7012	71973-7112	71973-7212	1.100 (27.94)	1.195 (30.35)	1.458 (37.03)		
13	26		71973-7013	71973-7113	71973-7213	1.200 (30.48)	1.295 (32.89)	1.558 (39.57)		
14	28		71973-7014	71973-7114	71973-7214	1.300 (33.02)	1.395 (35.43)	1.658 (42.11)		
15	30		71973-7015	71973-7115	71973-7215	1.400 (35.56)	1.495 (37.97)	1.758 (44.65)		
16	32		71973-7016	71973-7116	71973-7216	1.500 (38.10)	1.595 (40.51)	1.858 (47.19)		
17	34		71973-7017	71973-7117	71973-7217	1.600 (40.64)	1.695 (43.05)	1.958 (49.73)		
18	36		71973-7018	71973-7118	71973-7218	1.700 (43.18)	1.795 (45.59)	2.058 (52.27)		
19	38		71973-7019	71973-7119	71973-7219	1.800 (45.72)	1.895 (48.13)	2.158 (54.81)		
20	40		71973-7020	71973-7120	71973-7220	1.900 (48.26)	1.995 (50.67)	2.258 (57.35)		
21	42		71973-7021	71973-7121	71973-7221	2.000 (50.80)	2.095 (53.21)	2.358 (59.89)		
22	44		71973-7022	71973-7122	71973-7222	2.100 (53.34)	2.195 (55.75)	2.458 (62.43)		
23	46		71973-7023	71973-7123	71973-7223	2.200 (55.88)	2.295 (58.29)	2.558 (64.97)		
24	48		71973-7024	71973-7124	71973-7224	2.300 (58.42)	2.395 (60.83)	2.658 (67.51)		
25	50		71973-7025	71973-7125	71973-7225	2.400 (60.96)	2.495 (63.37)	2.758 (70.05)		
26	52		71973-7026	71973-7126	71973-7226	2.500 (63.50)	2.595 (65.91)	2.858 (72.59)		
27	54		71973-7027	71973-7127	71973-7227	2.600 (66.04)	2.695 (68.45)	2.958 (75.13)		
28	56		71973-7028	71973-7128	71973-7228	2.700 (68.58)	2.795 (70.99)	3.058 (77.67)		
29	58		71973-7029	71973-7129	71973-7229	2.800 (71.12)	2.895 (73.53)	3.158 (80.21)		
30	60		71973-7030	71973-7130	71973-7230	2.900 (73.66)	2.995 (76.07)	3.258 (82.75)		
31	62		71973-7031	71973-7131	71973-7231	3.000 (76.20)	3.095 (78.61)	3.358 (85.29)		
32	64		71973-7032	71973-7132	71973-7232	3.100 (78.74)	3.195 (81.15)	3.458 (87.83)		


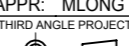
5		4			3		2		1	
NO. OF CKTS		OPTION B ASSEMBLY PACKAGED IN TRAYS PER PK-70873-0239 (SEE SHEET 1 FOR FINISH SPECIFICATIONS)					DIMENSION			
PER ROW	TOTAL	15 GOLD		30 GOLD	50 GOLD	A	B	D		
33	66		71973-7033	71973-7133	71973-7233	3.200 (81.28)	3.295 (83.69)	3.558 (90.37)		
34	68		71973-7034	71973-7134	71973-7234	3.300 (83.82)	3.395 (86.23)	3.658 (92.91)		
35	70		71973-7035	71973-7135	71973-7235	3.400 (86.36)	3.495 (88.77)	3.758 (95.45)		
36	72		71973-7036	71973-7136	71973-7236	3.500 (88.90)	3.595 (91.31)	3.858 (97.99)		

THIS DRAWING CONTAINS INFORMATION THAT IS PROPRIETARY TO MOLEX ELECTRONIC TECHNOLOGIES, LLC AND SHOULD NOT BE USED WITHOUT WRITTEN PERMISSION											
DIMENSION UNITS		SCALE		CURRENT REV DESC: OBSOLETE PART NUMBER							
IN/MM		NTS		 <p>EARLY ENTRY R/A RECPT .120"PC TAIL W/O LOWER ROW PINSTOP-.100" GRID</p> <p>PRODUCT CUSTOMER DRAWING</p>							
GENERAL TOLERANCES (UNLESS SPECIFIED)											
		MM	INCH	<p>EC NO: 718009</p> <p>DRWN: ABHISP1 2021/02/12</p> <p>CHK'D: DANUSA 2022/09/16</p> <p>APPR: MRAMAKRISHNA 2022/09/16</p> <p>INITIAL REVISION:</p> <p>DRWN: DJB 1991/10/21</p> <p>APPR: MLONG 2010/01/14</p>							
4 PLACES	±		±	DOCUMENT NUMBER: SDA-71973-XXXX							
3 PLACES	±		± 0.01	DOC TYPE: PSD		DOC PART: 001		REVISION: L			
2 PLACES	±	0.25	±	MATERIAL NUMBER: SEE TABLE							
1 PLACE	±		±	CUSTOMER: GENERAL MARKET							
0 PLACES	±		±	SHEET NUMBER: 11 OF 25							
ANGULAR TOL ± 0.5°				DRAFT WHERE APPLICABLE MUST REMAIN WITHIN DIMENSIONS		THIRD ANGLE PROJECTION		DRAWING: A3-SIZE		SERIES: 71973	

10		9			8			7			6		
NO. OF CKTS		OPTION C ASSEMBLY PACKAGED IN TUBES PER PK-70873-0138 (SEE SHEET 1 FOR FINISH SPECIFICATIONS)									DIMENSION		
PER ROW	TOTAL	15 GOLD			30 GOLD			50 GOLD			A	B	
4	8	X	71973-1804	X	71973-1904	X	71973-2004	.300 (7.62)	.395 (10.03)				
5	10	X	71973-1805	X	71973-1905	X	71973-2005	.400 (10.16)	.495 (12.57)				
6	12	X	71973-1806	X	71973-1906	X	71973-2006	.500 (12.70)	.595 (15.11)				
7	14	X	71973-1807	X	71973-1907	X	71973-2007	.600 (15.24)	.695 (17.65)				
8	16	X	71973-1808	X	71973-1908	X	71973-2008	.700 (17.78)	.795 (20.19)				
9	18	X	71973-1809	X	71973-1909	X	71973-2009	.800 (20.32)	.895 (22.73)				
10	20	X	71973-1810	X	71973-1910	X	71973-2010	.900 (22.86)	.995 (25.27)				
11	22	X	71973-1811	X	71973-1911	X	71973-2011	1.000 (25.40)	1.095 (27.81)				
12	24	X	71973-1812	X	71973-1912	X	71973-2012	1.100 (27.94)	1.195 (30.35)				
13	26	X	71973-1813	X	71973-1913	X	71973-2013	1.200 (30.48)	1.295 (32.89)				
14	28	X	71973-1814	X	71973-1914	X	71973-2014	1.300 (33.02)	1.395 (35.43)				
15	30	X	71973-1815	X	71973-1915	X	71973-2015	1.400 (35.56)	1.495 (37.97)				
16	32	X	71973-1816	X	71973-1916	X	71973-2016	1.500 (38.10)	1.595 (40.51)				
17	34	X	71973-1817	X	71973-1917	X	71973-2017	1.600 (40.64)	1.695 (43.05)				
18	36	X	71973-1818	X	71973-1918	X	71973-2018	1.700 (43.18)	1.795 (45.59)				
19	38	X	71973-1819	X	71973-1919	X	71973-2019	1.800 (45.72)	1.895 (48.13)				
20	40	X	71973-1820	X	71973-1920	X	71973-2020	1.900 (48.26)	1.995 (50.67)				
21	42	X	71973-1821	X	71973-1921	X	71973-2021	2.000 (50.80)	2.095 (53.21)				
22	44	X	71973-1822	X	71973-1922	X	71973-2022	2.100 (53.34)	2.195 (55.75)				
23	46	X	71973-1823	X	71973-1923	X	71973-2023	2.200 (55.88)	2.295 (58.29)				
24	48	X	71973-1824	X	71973-1924	X	71973-2024	2.300 (58.42)	2.395 (60.83)				
25	50	X	71973-1825	X	71973-1925	X	71973-2025	2.400 (60.96)	2.495 (63.37)				
26	52	X	71973-1826	X	71973-1926	X	71973-2026	2.500 (63.50)	2.595 (65.91)				
27	54	X	71973-1827	X	71973-1927	X	71973-2027	2.600 (66.04)	2.695 (68.45)				
28	56	X	71973-1828	X	71973-1928	X	71973-2028	2.700 (68.58)	2.795 (70.99)				
29	58	X	71973-1829	X	71973-1929	X	71973-2029	2.800 (71.12)	2.895 (73.53)				
30	60	X	71973-1830	X	71973-1930	X	71973-2030	2.900 (73.66)	2.995 (76.07)				
31	62	X	71973-1831	X	71973-1931	X	71973-2031	3.000 (76.20)	3.095 (78.61)				
32	64	X	71973-1832	X	71973-1932	X	71973-2032	3.100 (78.74)	3.195 (81.15)				

5		4			3			2			1		
NO. OF CKTS		OPTION C ASSEMBLY PACKAGED IN TUBES PER PK-70873-0138 (SEE SHEET 1 FOR FINISH SPECIFICATIONS)									DIMENSION		
PER ROW	TOTAL	15 GOLD			30 GOLD			50 GOLD			A	B	
33	66	X	71973-1833	X	71973-1933	X	71973-2033	3.200 (81.28)	3.295 (83.69)				
34	68	X	71973-1834	X	71973-1934	X	71973-2034	3.300 (83.82)	3.395 (86.23)				
35	70	X	71973-1835	X	71973-1935	X	71973-2035	3.400 (86.36)	3.495 (88.77)				
36	72	X	71973-1836	X	71973-1936	X	71973-2036	3.500 (88.90)	3.595 (91.31)				

"X" INDICATES TOOLING IS NOT AVAILABLE

THIS DRAWING CONTAINS INFORMATION THAT IS PROPRIETARY TO MOLEX ELECTRONIC TECHNOLOGIES, LLC AND SHOULD NOT BE USED WITHOUT WRITTEN PERMISSION													
DIMENSION UNITS		SCALE		CURRENT REV DESC: OBSOLETE PART NUMBER									
IN/MM		NTS											
GENERAL TOLERANCES (UNLESS SPECIFIED)													
		MM		INCH									
4 PLACES		±		±									
3 PLACES		±		± 0.01									
2 PLACES		±		± 0.25									
1 PLACE		±		±									
0 PLACES		±		±									
ANGULAR TOL		± 0.5°											
DRAFT WHERE APPLICABLE MUST REMAIN WITHIN DIMENSIONS				THIRD ANGLE PROJECTION		DRAWING		SERIES		MATERIAL NUMBER			
						A3-SIZE		71973		SEE TABLE			
DOCUMENT STATUS				P1		RELEASE DATE		2022/09/16		08:19:07			
		9			8			7			6		
		5			4			3			2		
		1											



10		9			8			7			6		
NO. OF CKTS		OPTION C ASSEMBLY PACKAGED IN TRAYS PER PK-70873-0239 (SEE SHEET 1 FOR FINISH SPECIFICATIONS)						DIMENSION					
PER ROW	TOTAL	15 GOLD		30 GOLD		50 GOLD		A	B				
4	8			71973-7404	71973-7504	71973-7604	.300 (7.62)	.395 (10.03)					
5	10			71973-7405	71973-7505	71973-7605	.400 (10.16)	.495 (12.57)					
6	12			71973-7406	71973-7506	71973-7606	.500 (12.70)	.595 (15.11)					
7	14			71973-7407	71973-7507	71973-7607	.600 (15.24)	.695 (17.65)					
8	16			71973-7408	71973-7508	71973-7608	.700 (17.78)	.795 (20.19)					
9	18			71973-7409	71973-7509	71973-7609	.800 (20.32)	.895 (22.73)					
10	20			71973-7410	71973-7510	71973-7610	.900 (22.86)	.995 (25.27)					
11	22			71973-7411	71973-7511	71973-7611	1.000 (25.40)	1.095 (27.81)					
12	24			71973-7412	71973-7512	71973-7612	1.100 (27.94)	1.195 (30.35)					
13	26			71973-7413	71973-7513	71973-7613	1.200 (30.48)	1.295 (32.89)					
14	28			71973-7414	71973-7514	71973-7614	1.300 (33.02)	1.395 (35.43)					
15	30			71973-7415	71973-7515	71973-7615	1.400 (35.56)	1.495 (37.97)					
16	32			71973-7416	71973-7516	71973-7616	1.500 (38.10)	1.595 (40.51)					
17	34			71973-7417	71973-7517	71973-7617	1.600 (40.64)	1.695 (43.05)					
18	36			71973-7418	71973-7518	71973-7618	1.700 (43.18)	1.795 (45.59)					
19	38			71973-7419	71973-7519	71973-7619	1.800 (45.72)	1.895 (48.13)					
20	40			71973-7420	71973-7520	71973-7620	1.900 (48.26)	1.995 (50.67)					
21	42			71973-7421	71973-7521	71973-7621	2.000 (50.80)	2.095 (53.21)					
22	44			71973-7422	71973-7522	71973-7622	2.100 (53.34)	2.195 (55.75)					
23	46			71973-7423	71973-7523	71973-7623	2.200 (55.88)	2.295 (58.29)					
24	48			71973-7424	71973-7524	71973-7624	2.300 (58.42)	2.395 (60.83)					
25	50			71973-7425	71973-7525	71973-7625	2.400 (60.96)	2.495 (63.37)					
26	52			71973-7426	71973-7526	71973-7626	2.500 (63.50)	2.595 (65.91)					
27	54			71973-7427	71973-7527	71973-7627	2.600 (66.04)	2.695 (68.45)					
28	56			71973-7428	71973-7528	71973-7628	2.700 (68.58)	2.795 (70.99)					
29	58			71973-7429	71973-7529	71973-7629	2.800 (71.12)	2.895 (73.53)					
30	60			71973-7430	71973-7530	71973-7630	2.900 (73.66)	2.995 (76.07)					
31	62			71973-7431	71973-7531	71973-7631	3.000 (76.20)	3.095 (78.61)					
32	64			71973-7432	71973-7532	71973-7632	3.100 (78.74)	3.195 (81.15)					

5		4			3			2			1		
NO. OF CKTS		OPTION C ASSEMBLY PACKAGED IN TRAYS PER PK-70873-0239 (SEE SHEET 1 FOR FINISH SPECIFICATIONS)						DIMENSION					
PER ROW	TOTAL	15 GOLD		30 GOLD		50 GOLD		A	B				
33	66			71973-7433	71973-7533	71973-7633	3.200 (81.28)	3.295 (83.69)					
34	68			71973-7434	71973-7534	71973-7634	3.300 (83.82)	3.395 (86.23)					
35	70			71973-7435	71973-7535	71973-7635	3.400 (86.36)	3.495 (88.77)					
36	72			71973-7436	71973-7536	71973-7636	3.500 (88.90)	3.595 (91.31)					

THIS DRAWING CONTAINS INFORMATION THAT IS PROPRIETARY TO MOLEX ELECTRONIC TECHNOLOGIES, LLC AND SHOULD NOT BE USED WITHOUT WRITTEN PERMISSION											
DIMENSION UNITS		SCALE		CURRENT REV DESC: OBSOLETE PART NUMBER							
IN/MM		NTS		 EARLY ENTRY R/A RECPT .120"PC TAIL W/O LOWER ROW PINSTOP-.100" GRID							
GENERAL TOLERANCES (UNLESS SPECIFIED)											
		MM	INCH	EC NO: 718009 DRWN: ABHISP1 2021/02/12 CHK'D: DANUSA 2022/09/16 APPR: MRAMAKRISHNA 2022/09/16 INITIAL REVISION: DRWN: DJB 1991/10/21 APPR: MLONG 2010/01/14							
4 PLACES	±		±								
3 PLACES	±		± 0.01								
2 PLACES	±	0.25	±								
1 PLACE	±		±								
0 PLACES	±		±	DOCUMENT NUMBER				DOC TYPE	DOC PART	REVISION	
ANGULAR TOL		± 0.5°		SDA-71973-XXXX				PSD	001	L	
DRAFT WHERE APPLICABLE MUST REMAIN WITHIN DIMENSIONS		THIRD ANGLE PROJECTION		DRAWING	SERIES	MATERIAL NUMBER	CUSTOMER		SHEET NUMBER		
				A3-SIZE	71973	SEE TABLE	GENERAL MARKET		14 OF 25		

10		9			8		7		6	
NO. OF CKTS		OPTION D ASSEMBLY PACKAGED IN TRAYS PER PK-70873-0239 (SEE SHEET 1 FOR FINISH SPECIFICATIONS)					DIMENSION			
PER ROW	TOTAL	15 GOLD		30 GOLD		50 GOLD		A	B	D
4	8	71973-7804	71973-7904	71973-8004	.300 (7.62)	.395 (10.03)	.658 (16.71)			
5	10	71973-7805	71973-7905	71973-8005	.400 (10.16)	.495 (12.57)	.758 (19.25)			
6	12	71973-7806	71973-7906	71973-8006	.500 (12.70)	.595 (15.11)	.858 (21.79)			
7	14	71973-7807	71973-7907	71973-8007	.600 (15.24)	.695 (17.65)	.958 (24.33)			
8	16	71973-7808	71973-7908	71973-8008	.700 (17.78)	.795 (20.19)	1.058 (26.87)			
9	18	71973-7809	71973-7909	71973-8009	.800 (20.32)	.895 (22.73)	1.158 (29.41)			
10	20	71973-7810	71973-7910	71973-8010	.900 (22.86)	.995 (25.27)	1.258 (31.95)			
11	22	71973-7811	71973-7911	71973-8011	1.000 (25.40)	1.095 (27.81)	1.358 (34.49)			
12	24	71973-7812	71973-7912	71973-8012	1.100 (27.94)	1.195 (30.35)	1.458 (37.03)			
13	26	71973-7813	71973-7913	71973-8013	1.200 (30.48)	1.295 (32.89)	1.558 (39.57)			
14	28	71973-7814	71973-7914	71973-8014	1.300 (33.02)	1.395 (35.43)	1.658 (42.11)			
15	30	71973-7815	71973-7915	71973-8015	1.400 (35.56)	1.495 (37.97)	1.758 (44.65)			
16	32	71973-7816	71973-7916	71973-8016	1.500 (38.10)	1.595 (40.51)	1.858 (47.19)			
17	34	71973-7817	71973-7917	71973-8017	1.600 (40.64)	1.695 (43.05)	1.958 (49.73)			
18	36	71973-7818	71973-7918	71973-8018	1.700 (43.18)	1.795 (45.59)	2.058 (52.27)			
19	38	71973-7819	71973-7919	71973-8019	1.800 (45.72)	1.895 (48.13)	2.158 (54.81)			
20	40	71973-7820	71973-7920	71973-8020	1.900 (48.26)	1.995 (50.67)	2.258 (57.35)			
21	42	71973-7821	71973-7921	71973-8021	2.000 (50.80)	2.095 (53.21)	2.358 (59.89)			
22	44	71973-7822	71973-7922	71973-8022	2.100 (53.34)	2.195 (55.75)	2.458 (62.43)			
23	46	71973-7823	71973-7923	71973-8023	2.200 (55.88)	2.295 (58.29)	2.558 (64.97)			
24	48	71973-7824	71973-7924	71973-8024	2.300 (58.42)	2.395 (60.83)	2.658 (67.51)			
25	50	71973-7825	71973-7925	71973-8025	2.400 (60.96)	2.495 (63.37)	2.758 (70.05)			
26	52	71973-7826	71973-7926	71973-8026	2.500 (63.50)	2.595 (65.91)	2.858 (72.59)			
27	54	71973-7827	71973-7927	71973-8027	2.600 (66.04)	2.695 (68.45)	2.958 (75.13)			
28	56	71973-7828	71973-7928	71973-8028	2.700 (68.58)	2.795 (70.99)	3.058 (77.67)			
29	58	71973-7829	71973-7929	71973-8029	2.800 (71.12)	2.895 (73.53)	3.158 (80.21)			
30	60	71973-7830	71973-7930	71973-8030	2.900 (73.66)	2.995 (76.07)	3.258 (82.75)			
31	62	71973-7831	71973-7931	71973-8031	3.000 (76.20)	3.095 (78.61)	3.358 (85.29)			
32	64	71973-7832	71973-7932	71973-8032	3.100 (78.74)	3.195 (81.15)	3.458 (87.83)			

5		4			3		2		1	
NO. OF CKTS		OPTION D ASSEMBLY PACKAGED IN TRAYS PER PK-70873-0239 (SEE SHEET 1 FOR FINISH SPECIFICATIONS)					DIMENSION			
PER ROW	TOTAL	15 GOLD		30 GOLD		50 GOLD		A	B	D
33	66	71973-7833	71973-7933	71973-8033	3.200 (81.28)	3.295 (83.69)	3.558 (90.37)			
34	68	71973-7834	71973-7934	71973-8034	3.300 (83.82)	3.395 (86.23)	3.658 (92.91)			
35	70	71973-7835	71973-7935	71973-8035	3.400 (86.36)	3.495 (88.77)	3.758 (95.45)			
36	72	71973-7836	71973-7936	71973-8036	3.500 (88.90)	3.595 (91.31)	3.858 (97.99)			

THIS DRAWING CONTAINS INFORMATION THAT IS PROPRIETARY TO MOLEX ELECTRONIC TECHNOLOGIES, LLC AND SHOULD NOT BE USED WITHOUT WRITTEN PERMISSION										
DIMENSION UNITS <b>IN/MM</b>		SCALE <b>NTS</b>		CURRENT REV DESC: OBSOLETE PART NUMBER						
GENERAL TOLERANCES (UNLESS SPECIFIED)				 EARLY ENTRY R/A RECPT .120"PC TAIL W/O LOWER ROW PINSTOP-.100" GRID PRODUCT CUSTOMER DRAWING						
		MM	INCH							
4 PLACES	±		±							
3 PLACES	±	0.01	±							
2 PLACES	±	0.25	±							
1 PLACE	±		±	EC NO: 718009		2021/02/12				
0 PLACES	±		±	DRWN: ABHISP1		2022/09/16				
ANGULAR TOL ± 0.5°				CHK'D: DANUSA		2022/09/16				
DRAFT WHERE APPLICABLE MUST REMAIN WITHIN DIMENSIONS				APPR: MRAMAKRISHNA		2022/09/16				
THIRD ANGLE PROJECTION				INITIAL REVISION:		DOCUMENT NUMBER		DOC TYPE	DOC PART	REVISION
DRAWING				DRWN: DJB		1991/10/21		SDA-71973-XXXX		
SERIES				APPR: MLONG		2010/01/14		PSD	001	L
MATERIAL NUMBER				A3-SIZE		71973		SEE TABLE		
CUSTOMER				SHEET NUMBER		GENERAL MARKET		15 OF 25		

NO. OF CKTS		OPTION E ASSEMBLY PACKAGED IN TUBES PER PK-70873-0138 (SEE SHEET 1 FOR FINISH SPECIFICATIONS)					DIMENSION			
PER ROW	TOTAL	15 GOLD			30 GOLD	50 GOLD	A	B		
4	8						.300 (7.62)	.395 (10.03)		
5	10						.400 (10.16)	.495 (12.57)		
6	12						.500 (12.70)	.595 (15.11)		
7	14						.600 (15.24)	.695 (17.65)		
8	16						.700 (17.78)	.795 (20.19)		
9	18						.800 (20.32)	.895 (22.73)		
10	20						.900 (22.86)	.995 (25.27)		
11	22						1.000 (25.40)	1.095 (27.81)		
12	24						1.100 (27.94)	1.195 (30.35)		
13	26						1.200 (30.48)	1.295 (32.89)		
14	28						1.300 (33.02)	1.395 (35.43)		
15	30						1.400 (35.56)	1.495 (37.97)		
16	32						1.500 (38.10)	1.595 (40.51)		
17	34						1.600 (40.64)	1.695 (43.05)		
18	36						1.700 (43.18)	1.795 (45.59)		
19	38						1.800 (45.72)	1.895 (48.13)		
20	40						1.900 (48.26)	1.995 (50.67)		
21	42						2.000 (50.80)	2.095 (53.21)		
22	44						2.100 (53.34)	2.195 (55.75)		
23	46						2.200 (55.88)	2.295 (58.29)		
24	48						2.300 (58.42)	2.395 (60.83)		
25	50						2.400 (60.96)	2.495 (63.37)		
26	52						2.500 (63.50)	2.595 (65.91)		
27	54						2.600 (66.04)	2.695 (68.45)		
28	56						2.700 (68.58)	2.795 (70.99)		
29	58						2.800 (71.12)	2.895 (73.53)		
30	60			71973-3530			2.900 (73.66)	2.995 (76.07)		
31	62						3.000 (76.20)	3.095 (78.61)		
32	64						3.100 (78.74)	3.195 (81.15)		
33	66						3.200 (81.28)	3.295 (83.69)		

NO. OF CKTS		OPTION E ASSEMBLY PACKAGED IN TUBES PER PK-70873-0138 (SEE SHEET 1 FOR FINISH SPECIFICATIONS)					DIMENSION			
PER ROW	TOTAL	15 GOLD			30 GOLD	50 GOLD	A	B		
34	68						3.300 (83.82)	3.395 (86.23)		
35	70						3.400 (86.36)	3.495 (88.77)		
36	72						3.500 (88.90)	3.595 (91.31)		

"X" INDICATES TOOLING IS NOT AVAILABLE

THIS DRAWING CONTAINS INFORMATION THAT IS PROPRIETARY TO MOLEX ELECTRONIC TECHNOLOGIES, LLC AND SHOULD NOT BE USED WITHOUT WRITTEN PERMISSION											
DIMENSION UNITS		SCALE		CURRENT REV DESC: OBSOLETE PART NUMBER						<b>molex</b>	
IN/MM		NTS									
GENERAL TOLERANCES (UNLESS SPECIFIED)				MM		INCH		EC NO: 718009			
4 PLACES		±		±		±		DRWN: ABHISP1		2021/02/12	
3 PLACES		±		±		± 0.01		CHK'D: DANUSA		2022/09/16	
2 PLACES		±		±		± 0.25		APPR: MRAMAKRISHNA		2022/09/16	
1 PLACE		±		±		±		INITIAL REVISION:			
0 PLACES		±		±		±		DRWN: DJB		1991/10/21	
ANGULAR TOL		±		± 0.5°		±		APPR: MLONG		2010/01/14	
DRAFT WHERE APPLICABLE MUST REMAIN WITHIN DIMENSIONS				THIRD ANGLE PROJECTION		DRAWING		SERIES		MATERIAL NUMBER	
						A3-SIZE		71973		SEE TABLE	
								CUSTOMER		SHEET NUMBER	
								GENERAL MARKET		16 OF 25	




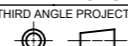




10		9			8			7			6		
NO. OF CKTS		OPTION G ASSEMBLY PACKAGED IN TUBES PER PK-70873-0138 (SEE SHEET 1 FOR FINISH SPECIFICATIONS)									DIMENSION		
PER ROW	TOTAL	15 GOLD			30 GOLD			50 GOLD			A	B	
4	8	X	71973-5004	X	71973-5104	X	71973-5204	.300 (7.62)	.395 (10.03)				
5	10	X	71973-5005	X	71973-5105	X	71973-5205	.400 (10.16)	.495 (12.57)				
6	12	X	71973-5006	X	71973-5106	X	71973-5206	.500 (12.70)	.595 (15.11)				
7	14	X	71973-5007	X	71973-5107	X	71973-5207	.600 (15.24)	.695 (17.65)				
8	16	X	71973-5008	X	71973-5108	X	71973-5208	.700 (17.78)	.795 (20.19)				
9	18	X	71973-5009	X	71973-5109	X	71973-5209	.800 (20.32)	.895 (22.73)				
10	20	X	71973-5010	X	71973-5110	X	71973-5210	.900 (22.86)	.995 (25.27)				
11	22	X	71973-5011	X	71973-5111	X	71973-5211	1.000 (25.40)	1.095 (27.81)				
12	24	X	71973-5012	X	71973-5112	X	71973-5212	1.100 (27.94)	1.195 (30.35)				
13	26	X	71973-5013	X	71973-5113	X	71973-5213	1.200 (30.48)	1.295 (32.89)				
14	28	X	71973-5014	X	71973-5114	X	71973-5214	1.300 (33.02)	1.395 (35.43)				
15	30	X	71973-5015	X	71973-5115	X	71973-5215	1.400 (35.56)	1.495 (37.97)				
16	32	X	71973-5016	X	71973-5116	X	71973-5216	1.500 (38.10)	1.595 (40.51)				
17	34	X	71973-5017	X	71973-5117	X	71973-5217	1.600 (40.64)	1.695 (43.05)				
18	36	X	71973-5018	X	71973-5118	X	71973-5218	1.700 (43.18)	1.795 (45.59)				
19	38	X	71973-5019	X	71973-5119	X	71973-5219	1.800 (45.72)	1.895 (48.13)				
20	40	X	71973-5020	X	71973-5120	X	71973-5220	1.900 (48.26)	1.995 (50.67)				
21	42	X	71973-5021	X	71973-5121	X	71973-5221	2.000 (50.80)	2.095 (53.21)				
22	44	X	71973-5022	X	71973-5122	X	71973-5222	2.100 (53.34)	2.195 (55.75)				
23	46	X	71973-5023	X	71973-5123	X	71973-5223	2.200 (55.88)	2.295 (58.29)				
24	48	X	71973-5024	X	71973-5124	X	71973-5224	2.300 (58.42)	2.395 (60.83)				
25	50	X	71973-5025	X	71973-5125	X	71973-5225	2.400 (60.96)	2.495 (63.37)				
26	52	X	71973-5026	X	71973-5126	X	71973-5226	2.500 (63.50)	2.595 (65.91)				
27	54	X	71973-5027	X	71973-5127	X	71973-5227	2.600 (66.04)	2.695 (68.45)				
28	56	X	71973-5028	X	71973-5128	X	71973-5228	2.700 (68.58)	2.795 (70.99)				
29	58	X	71973-5029	X	71973-5129	X	71973-5229	2.800 (71.12)	2.895 (73.53)				
30	60	X	71973-5030	X	71973-5130	X	71973-5230	2.900 (73.66)	2.995 (76.07)				
31	62	X	71973-5031	X	71973-5131	X	71973-5231	3.000 (76.20)	3.095 (78.61)				

5		4			3			2			1		
NO. OF CKTS		OPTION G ASSEMBLY PACKAGED IN TUBES PER PK-70873-0138 (SEE SHEET 1 FOR FINISH SPECIFICATIONS)									DIMENSION		
PER ROW	TOTAL	15 GOLD			30 GOLD			50 GOLD			A	B	
32	64	X	71973-5032	X	71973-5132	X	71973-5232	3.100 (78.74)	3.195 (81.15)				
33	66	X	71973-5033	X	71973-5133	X	71973-5233	3.200 (81.28)	3.295 (83.69)				
34	68	X	71973-5034	X	71973-5134	X	71973-5234	3.300 (83.82)	3.395 (86.23)				
35	70	X	71973-5035	X	71973-5135	X	71973-5235	3.400 (86.36)	3.495 (88.77)				
36	72	X	71973-5036	X	71973-5136	X	71973-5236	3.500 (88.90)	3.595 (91.31)				

"X" INDICATES TOOLING IS NOT AVAILABLE.

THIS DRAWING CONTAINS INFORMATION THAT IS PROPRIETARY TO MOLEX ELECTRONIC TECHNOLOGIES, LLC AND SHOULD NOT BE USED WITHOUT WRITTEN PERMISSION													
DIMENSION UNITS		SCALE		CURRENT REV DESC: OBSOLETE PART NUMBER									
IN/MM		NTS											
GENERAL TOLERANCES (UNLESS SPECIFIED)													
		MM		INCH									
4 PLACES		±		±									
3 PLACES		±		± 0.01									
2 PLACES		± 0.25		±									
1 PLACE		±		±									
0 PLACES		±		±									
ANGULAR TOL		± 0.5°											
DRAFT WHERE APPLICABLE MUST REMAIN WITHIN DIMENSIONS				THIRD ANGLE PROJECTION		DRAWING		SERIES		MATERIAL NUMBER			
						A3-SIZE		71973		SEE TABLE			
DOCUMENT STATUS				P1		RELEASE DATE		2022/09/16		08:19:07			
		9			8			7			6		
		5			4			3			2		
		1											



10		9			8			7			6		
NO. OF CKTS		OPTION G ASSEMBLY PACKAGED IN TRAYS PER PK-70873-0239 (SEE SHEET 1 FOR FINISH SPECIFICATIONS)						DIMENSION					
PER ROW	TOTAL	15 GOLD		30 GOLD		50 GOLD		A	B				
4	8			71973-9004	71973-9104	71973-9204	.300 (7.62)	.395 (10.03)					
5	10			71973-9005	71973-9105	71973-9205	.400 (10.16)	.495 (12.57)					
6	12			71973-9006	71973-9106	71973-9206	.500 (12.70)	.595 (15.11)					
7	14			71973-9007	71973-9107	71973-9207	.600 (15.24)	.695 (17.65)					
8	16			71973-9008	71973-9108	71973-9208	.700 (17.78)	.795 (20.19)					
9	18			71973-9009	71973-9109	71973-9209	.800 (20.32)	.895 (22.73)					
10	20			71973-9010	71973-9110	71973-9210	.900 (22.86)	.995 (25.27)					
11	22			71973-9011	71973-9111	71973-9211	1.000 (25.40)	1.095 (27.81)					
12	24			71973-9012	71973-9112	71973-9212	1.100 (27.94)	1.195 (30.35)					
13	26			71973-9013	71973-9113	71973-9213	1.200 (30.48)	1.295 (32.89)					
14	28			71973-9014	71973-9114	71973-9214	1.300 (33.02)	1.395 (35.43)					
15	30			71973-9015	71973-9115	71973-9215	1.400 (35.56)	1.495 (37.97)					
16	32			71973-9016	71973-9116	71973-9216	1.500 (38.10)	1.595 (40.51)					
17	34			71973-9017	71973-9117	71973-9217	1.600 (40.64)	1.695 (43.05)					
18	36			71973-9018	71973-9118	71973-9218	1.700 (43.18)	1.795 (45.59)					
19	38			71973-9019	71973-9119	71973-9219	1.800 (45.72)	1.895 (48.13)					
20	40			71973-9020	71973-9120	71973-9220	1.900 (48.26)	1.995 (50.67)					
21	42			71973-9021	71973-9121	71973-9221	2.000 (50.80)	2.095 (53.21)					
22	44			71973-9022	71973-9122	71973-9222	2.100 (53.34)	2.195 (55.75)					
23	46			71973-9023	71973-9123	71973-9223	2.200 (55.88)	2.295 (58.29)					
24	48			71973-9024	71973-9124	71973-9224	2.300 (58.42)	2.395 (60.83)					
25	50			71973-9025	71973-9125	71973-9225	2.400 (60.96)	2.495 (63.37)					
26	52			71973-9026	71973-9126	71973-9226	2.500 (63.50)	2.595 (65.91)					
27	54			71973-9027	71973-9127	71973-9227	2.600 (66.04)	2.695 (68.45)					
28	56			71973-9028	71973-9128	71973-9228	2.700 (68.58)	2.795 (70.99)					
29	58			71973-9029	71973-9129	71973-9229	2.800 (71.12)	2.895 (73.53)					
30	60			71973-9030	71973-9130	71973-9230	2.900 (73.66)	2.995 (76.07)					
31	62			71973-9031	71973-9131	71973-9231	3.000 (76.20)	3.095 (78.61)					
32	64			71973-9032	71973-9132	71973-9232	3.100 (78.74)	3.195 (81.15)					
33	66			71973-9033	71973-9133	71973-9233	3.200 (81.28)	3.295 (83.69)					

5		4			3			2			1		
NO. OF CKTS		OPTION G ASSEMBLY PACKAGED IN TRAYS PER PK-70873-0239 (SEE SHEET 1 FOR FINISH SPECIFICATIONS)						DIMENSION					
PER ROW	TOTAL	15 GOLD		30 GOLD		50 GOLD		A	B				
34	68			71973-9034	71973-9134	71973-9234	3.300 (83.82)	3.395 (86.23)					
35	70			71973-9035	71973-9135	71973-9235	3.400 (86.36)	3.495 (88.77)					
36	72			71973-9036	71973-9136	71973-9236	3.500 (88.90)	3.595 (91.31)					

"X" INDICATES TOOLING IS NOT AVAILABLE

THIS DRAWING CONTAINS INFORMATION THAT IS PROPRIETARY TO MOLEX ELECTRONIC TECHNOLOGIES, LLC AND SHOULD NOT BE USED WITHOUT WRITTEN PERMISSION													
DIMENSION UNITS		SCALE		CURRENT REV DESC: OBSOLETE PART NUMBER						<b>molex</b>			
IN/MM		NTS											
GENERAL TOLERANCES (UNLESS SPECIFIED)										EC NO: 718009 DRWN: ABHISP1 2021/02/12 CHK'D: DANUSA 2022/09/16 APPR: MRAMAKRISHNA 2022/09/16 INITIAL REVISION: DRWN: DJB 1991/10/21 APPR: MLONG 2010/01/14			
		MM		INCH									
4 PLACES		±		±									
3 PLACES		±		± 0.01									
2 PLACES		±		± 0.25									
1 PLACE		±		±									
0 PLACES		±		±									
ANGULAR TOL		± 0.5°								DOCUMENT NUMBER			
										SDA-71973-XXXX			
										DOC TYPE			
										PSD			
										DOC PART			
										001			
										REVISION			
										L			
DRAFT WHERE APPLICABLE MUST REMAIN WITHIN DIMENSIONS		THIRD ANGLE PROJECTION		DRAWING		SERIES		MATERIAL NUMBER		CUSTOMER			
				A3-SIZE		71973		SEE TABLE		GENERAL MARKET			
										SHEET NUMBER			
										21 OF 25			

10		9			8			7			6			5		4			3			2			1														
NO. OF CKTS		OPTION H ASSEMBLY PACKAGED IN TRAYS PER PK-70873-0239 (SEE SHEET 1 FOR FINISH SPECIFICATIONS)									DIMENSION						NO. OF CKTS		OPTION H ASSEMBLY PACKAGED IN TRAYS PER PK-70873-0239 (SEE SHEET 1 FOR FINISH SPECIFICATIONS)									DIMENSION											
PER ROW	TOTAL				15 GOLD			30 GOLD			50 GOLD			A	B				D	PER ROW	TOTAL				15 GOLD			30 GOLD			50 GOLD			A	B				D
4	8			X	71973-9404	X	71973-9504	X	71973-9604				.300 (7.62)	.395 (10.03)				.658 (16.71)	33	66			X	71973-9433	X	71973-9533	X	71973-9633				3.200 (81.28)	3.295 (83.69)			3.558 (90.37)			
5	10			X	71973-9405	X	71973-9505	X	71973-9605				.400 (10.16)	.495 (12.57)				.758 (19.25)	34	68			X	71973-9434	X	71973-9534	X	71973-9634				3.300 (83.82)	3.395 (86.23)			3.658 (92.91)			
6	12			X	71973-9406	X	71973-9506	X	71973-9606				.500 (12.70)	.595 (15.11)				.858 (21.79)	35	70			X	71973-9435	X	71973-9535	X	71973-9635				3.400 (86.36)	3.495 (88.77)			3.758 (95.45)			
7	14			X	71973-9407	X	71973-9507	X	71973-9607				.600 (15.24)	.695 (17.65)				.958 (24.33)	36	72			X	71973-9436	X	71973-9536	X	71973-9636				3.500 (88.90)	3.595 (91.31)			3.858 (97.99)			
8	16			X	71973-9408	X	71973-9508	X	71973-9608				.700 (17.78)	.795 (20.19)				1.058 (26.87)																					
9	18			X	71973-9409	X	71973-9509	X	71973-9609				.800 (20.32)	.895 (22.73)				1.158 (29.41)																					
10	20			X	71973-9410	X	71973-9510	X	71973-9610				.900 (22.86)	.995 (25.27)				1.258 (31.95)																					
11	22			X	71973-9411	X	71973-9511	X	71973-9611				1.000 (25.40)	1.095 (27.81)				1.358 (34.49)																					
12	24			X	71973-9412	X	71973-9512	X	71973-9612				1.100 (27.94)	1.195 (30.35)				1.458 (37.03)																					
13	26			X	71973-9413	X	71973-9513	X	71973-9613				1.200 (30.48)	1.295 (32.89)				1.558 (39.57)																					
14	28			X	71973-9414	X	71973-9514	X	71973-9614				1.300 (33.02)	1.395 (35.43)				1.658 (42.11)																					
15	30			X	71973-9415	X	71973-9515	X	71973-9615				1.400 (35.56)	1.495 (37.97)				1.758 (44.65)																					
16	32			X	71973-9416	X	71973-9516	X	71973-9616				1.500 (38.10)	1.595 (40.51)				1.858 (47.19)																					
17	34			X	71973-9417	X	71973-9517	X	71973-9617				1.600 (40.64)	1.695 (43.05)				1.958 (49.73)																					
18	36			X	71973-9418	X	71973-9518	X	71973-9618				1.700 (43.18)	1.795 (45.59)				2.058 (52.27)																					
19	38			X	71973-9419	X	71973-9519	X	71973-9619				1.800 (45.72)	1.895 (48.13)				2.158 (54.81)																					
20	40			X	71973-9420	X	71973-9520	X	71973-9620				1.900 (48.26)	1.995 (50.67)				2.258 (57.35)																					
21	42			X	71973-9421	X	71973-9521	X	71973-9621				2.000 (50.80)	2.095 (53.21)				2.358 (59.89)																					
22	44			X	71973-9422	X	71973-9522	X	71973-9622				2.100 (53.34)	2.195 (55.75)				2.458 (62.43)																					
23	46			X	71973-9423	X	71973-9523	X	71973-9623				2.200 (55.88)	2.295 (58.29)				2.558 (64.97)																					
24	48			X	71973-9424	X	71973-9524	X	71973-9624				2.300 (58.42)	2.395 (60.83)				2.658 (67.51)																					
25	50			X	71973-9425	X	71973-9525	X	71973-9625				2.400 (60.96)	2.495 (63.37)				2.758 (70.05)																					
26	52			X	71973-9426	X	71973-9526	X	71973-9626				2.500 (63.50)	2.595 (65.91)				2.858 (72.59)																					
27	54			X	71973-9427	X	71973-9527	X	71973-9627				2.600 (66.04)	2.695 (68.45)				2.958 (75.13)																					
28	56			X	71973-9428	X	71973-9528	X	71973-9628				2.700 (68.58)	2.795 (70.99)				3.058 (77.67)																					
29	58			X	71973-9429	X	71973-9529	X	71973-9629				2.800 (71.12)	2.895 (73.53)				3.158 (80.21)																					
30	60			X	71973-9430	X	71973-9530	X	71973-9630				2.900 (73.66)	2.995 (76.07)				3.258 (82.75)																					
31	62			X	71973-9431	X	71973-9531	X	71973-9631				3.000 (76.20)	3.095 (78.61)				3.358 (85.29)																					
32	64			X	71973-9432	X	71973-9532	X	71973-9632				3.100 (78.74)	3.195 (81.15)				3.458 (87.83)																					

10		9			8			7			6			5		4			3			2			1														
NO. OF CKTS		OPTION H ASSEMBLY PACKAGED IN TRAYS PER PK-70873-0239 (SEE SHEET 1 FOR FINISH SPECIFICATIONS)									DIMENSION						NO. OF CKTS		OPTION H ASSEMBLY PACKAGED IN TRAYS PER PK-70873-0239 (SEE SHEET 1 FOR FINISH SPECIFICATIONS)									DIMENSION											
PER ROW	TOTAL				15 GOLD			30 GOLD			50 GOLD			A	B				D	PER ROW	TOTAL				15 GOLD			30 GOLD			50 GOLD			A	B				D
4	8			X	71973-9404	X	71973-9504	X	71973-9604				.300 (7.62)	.395 (10.03)				.658 (16.71)	33	66			X	71973-9433	X	71973-9533	X	71973-9633				3.200 (81.28)	3.295 (83.69)			3.558 (90.37)			
5	10			X	71973-9405	X	71973-9505	X	71973-9605				.400 (10.16)	.495 (12.57)				.758 (19.25)	34	68			X	71973-9434	X	71973-9534	X	71973-9634				3.300 (83.82)	3.395 (86.23)			3.658 (92.91)			
6	12			X	71973-9406	X	71973-9506	X	71973-9606				.500 (12.70)	.595 (15.11)				.858 (21.79)	35	70			X	71973-9435	X	71973-9535	X	71973-9635				3.400 (86.36)	3.495 (88.77)			3.758 (95.45)			
7	14			X	71973-9407	X	71973-9507	X	71973-9607				.600 (15.24)	.695 (17.65)				.958 (24.33)	36	72			X	71973-9436	X	71973-9536	X	71973-9636				3.500 (88.90)	3.595 (91.31)			3.858 (97.99)			
8	16			X	71973-9408	X	71973-9508	X	71973-9608				.700 (17.78)	.795 (20.19)				1.058 (26.87)																					
9	18			X	71973-9409	X	71973-9509	X	71973-9609				.800 (20.32)	.895 (22.73)				1.158 (29.41)																					
10	20			X	71973-9410	X	71973-9510	X	71973-9610				.900 (22.86)	.995 (25.27)				1.258 (31.95)																					
11	22			X	71973-9411	X	71973-9511	X	71973-9611				1.000 (25.40)	1.095 (27.81)				1.358 (34.49)																					
12	24			X	71973-9412	X	71973-9512	X	71973-9612				1.100 (27.94)	1.195 (30.35)				1.458 (37.03)																					
13	26			X	71973-9413	X	71973-9513	X	71973-9613				1.200 (30.48)	1.295 (32.89)				1.558 (39.57)																					
14	28			X	71973-9414	X	71973-9514	X	71973-9614	</																													








10		9		8		7		6			
NO. OF CKTS		OPTION L ASSEMBLY PACKAGED IN TUBES PER PK-70873-0138 (SEE SHEET 1 FOR FINISH SPECIFICATIONS)					DIMENSION				
		15 GOLD		30 GOLD		50 GOLD		A	B		
PER ROW	TOTAL										
4	8			71973-5404	71973-5504	71973-5604	.300 (7.62)	.395 (10.03)			
5	10			71973-5405	71973-5505	71973-5605	.400 (10.16)	.495 (12.57)			
6	12			71973-5406	71973-5506	71973-5606	.500 (12.70)	.595 (15.11)			
7	14			71973-5407	71973-5507	71973-5607	.600 (15.24)	.695 (17.65)			
8	16			71973-5408	71973-5508	71973-5608	.700 (17.78)	.795 (20.19)			
9	18			71973-5409	71973-5509	71973-5609	.800 (20.32)	.895 (22.73)			
10	20			71973-5410	71973-5510	71973-5610	.900 (22.86)	.995 (25.27)			
11	22			71973-5411	71973-5511	71973-5611	1.000 (25.40)	1.095 (27.81)			
12	24			71973-5412	71973-5512	71973-5612	1.100 (27.94)	1.195 (30.35)			
13	26			71973-5413	71973-5513	71973-5613	1.200 (30.48)	1.295 (32.89)			
14	28			71973-5414	71973-5514	71973-5614	1.300 (33.02)	1.395 (35.43)			
15	30			71973-5415	71973-5515	71973-5615	1.400 (35.56)	1.495 (37.97)			
16	32			71973-5416	71973-5516	71973-5616	1.500 (38.10)	1.595 (40.51)			
17	34			71973-5417	71973-5517	71973-5617	1.600 (40.64)	1.695 (43.05)			
18	36			71973-5418	71973-5518	71973-5618	1.700 (43.18)	1.795 (45.59)			
19	38			71973-5419	71973-5519	71973-5619	1.800 (45.72)	1.895 (48.13)			
20	40			71973-5420	71973-5520	71973-5620	1.900 (48.26)	1.995 (50.67)			
21	42			71973-5421	71973-5521	71973-5621	2.000 (50.80)	2.095 (53.21)			
22	44			71973-5422	71973-5522	71973-5622	2.100 (53.34)	2.195 (55.75)			
23	46			71973-5423	71973-5523	71973-5623	2.200 (55.88)	2.295 (58.29)			
24	48			71973-5424	71973-5524	71973-5624	2.300 (58.42)	2.395 (60.83)			
25	50			71973-5425	71973-5525	71973-5625	2.400 (60.96)	2.495 (63.37)			
26	52			71973-5426	71973-5526	71973-5626	2.500 (63.50)	2.595 (65.91)			
27	54			71973-5427	71973-5527	71973-5627	2.600 (66.04)	2.695 (68.45)			
28	56			71973-5428	71973-5528	71973-5628	2.700 (68.58)	2.795 (70.99)			
29	58			71973-5429	71973-5529	71973-5629	2.800 (71.12)	2.895 (73.53)			
30	60			71973-5430	71973-5530	71973-5630	2.900 (73.66)	2.995 (76.07)			

5		4		3		2		1			
NO. OF CKTS		OPTION L ASSEMBLY PACKAGED IN TUBES PER PK-70873-0138 (SEE SHEET 1 FOR FINISH SPECIFICATIONS)					DIMENSION				
		15 GOLD		30 GOLD		50 GOLD		A	B		
PER ROW	TOTAL										
31	62			71973-5431	71973-5531	71973-5631	3.000 (76.20)	3.095 (78.61)			
32	64			71973-5432	71973-5532	71973-5632	3.100 (78.74)	3.195 (81.15)			
33	66			71973-5433	71973-5533	71973-5633	3.200 (81.28)	3.295 (83.69)			
34	68			71973-5434	71973-5534	71973-5634	3.300 (83.82)	3.395 (86.23)			
35	70			71973-5435	71973-5535	71973-5635	3.400 (86.36)	3.495 (88.77)			
36	72			71973-5436	71973-5536	71973-5636	3.500 (88.90)	3.595 (91.31)			

"X" INDICATES TOOLING IS NOT AVAILABLE

THIS DRAWING CONTAINS INFORMATION THAT IS PROPRIETARY TO MOLEX ELECTRONIC TECHNOLOGIES, LLC AND SHOULD NOT BE USED WITHOUT WRITTEN PERMISSION											
DIMENSION UNITS		SCALE		CURRENT REV DESC: OBSOLETE PART NUMBER							
IN/MM		NTS									
GENERAL TOLERANCES (UNLESS SPECIFIED)				MM		INCH		<b>EARLY ENTRY R/A RECPT</b> .120"PC TAIL W/O LOWER ROW PINSTOP-.100" GRID  <b>PRODUCT CUSTOMER DRAWING</b>			
4 PLACES		±		±		±					
3 PLACES		±		±		0.01					
2 PLACES		±		0.25		±					
1 PLACE		±		±		±					
0 PLACES		±		±		±		DOCUMENT NUMBER: <b>SDA-71973-XXXX</b> DOC TYPE: PSD   DOC PART: 001   REVISION: L			
ANGULAR TOL ± 0.5°				DRAFT WHERE APPLICABLE MUST REMAIN WITHIN DIMENSIONS		THIRD ANGLE PROJECTION		DRAWING: A3-SIZE		SERIES: 71973	
MATERIAL NUMBER		CUSTOMER		SHEET NUMBER		SEE TABLE		GENERAL MARKET		25 OF 25	