

NOTE:

1. MATERIAL :

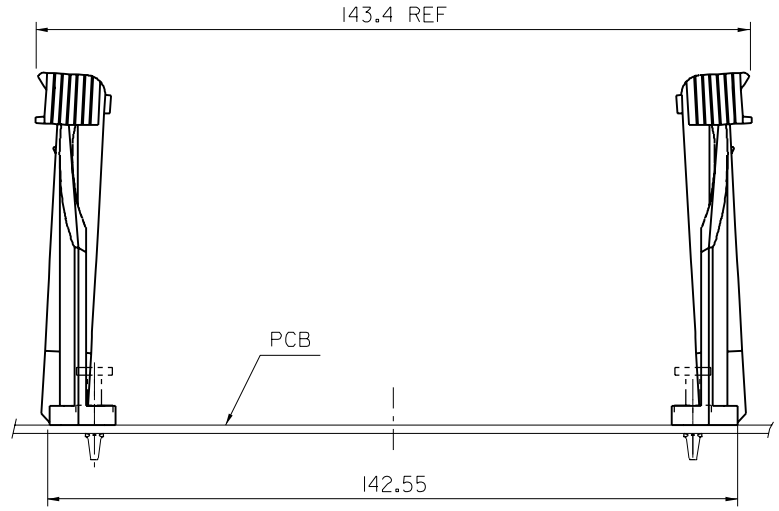
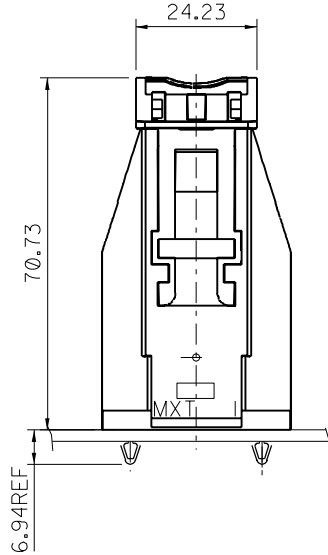
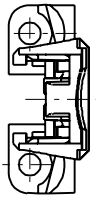
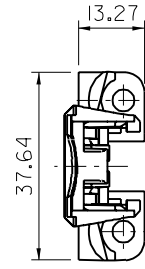
HOUSING : POLYCARBONATE COLOR : BLACK

FASTENER PIN : NYLON

FASTENER BODY : NYLON

2. PRODUCT SPECIFICATION : NONE.

3. SEE SHEET 2 FOR PC BOARD PATTERN AND ISOMETRIC ASSEMBLY VIEW.



| | |
|---|---|
| 2 | A |
| 1 | A |

RTM
 T1999-0142
 SSHIN '98/11/26
 RYANG '98/11/27
 MEGA '98/11/27

0
 0

1:1
 SSHIN '98/8/03

SALES DRAWING OF
 UNIVERSAL RETENTION MODULE
 PLASTIC FASTENER

S6721002.S01

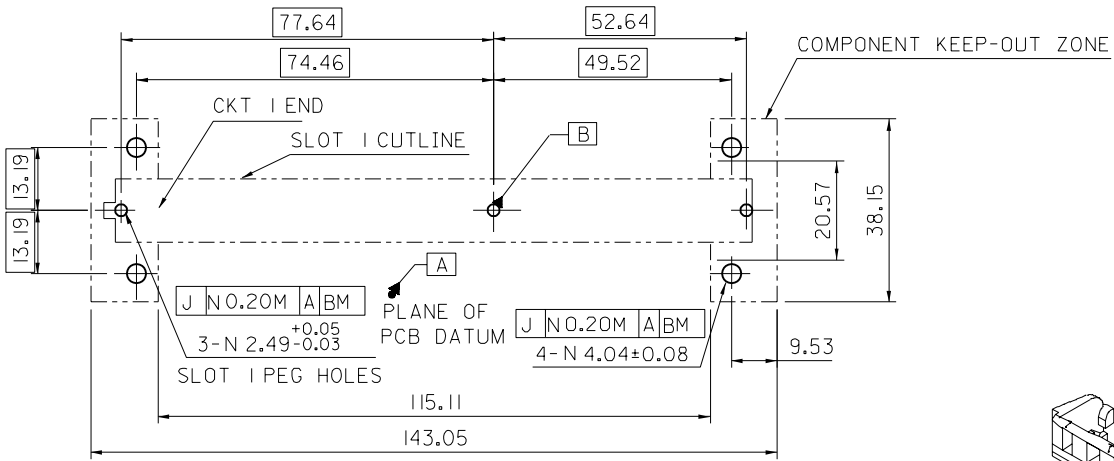
ENG. NO SEE CHART

EDP NO.

SIMILAR ITEM

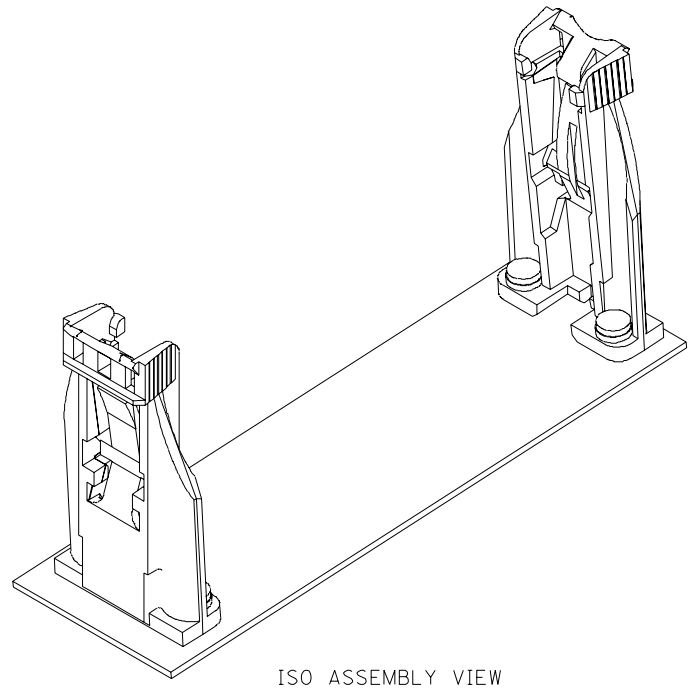
CADFILE NO. S6721002.S02

DO NOT SCALE DRAWING



RECOMMENDED PCB LAYOUT
CONNECTOR SIDE

| MATERIAL NUMBER | PACKING STYLE |
|-----------------|----------------------------|
| 67210-0006 | INDIVIDUAL BAG (2 PCS/BAG) |
| 67210-1006 | BULK BAG (40 PCS/BAG) |



ISO ASSEMBLY VIEW

| | | | | | | |
|---|--|---|--|---|-------------------------------|-------------|
| RTM EC NO. T1999-0142 DRWN: SSHIN '98/11/26 CHK: RYANG '98/11/27 APPR: MEGA '98/11/27 | QUALITY SYMBOLS MAJOR = 0 CRITICAL = 0 | GENERAL TOLERANCES: (UNLESS SPECIFIED) mm INCH 4 PLACES ±0. ±. | SCALE 1:1 DESIGN UNITS <input checked="" type="checkbox"/> mm <input type="checkbox"/> INCH | DIMENSIONS: <input type="checkbox"/> mm <input type="checkbox"/> INCH <input type="checkbox"/> mm <input type="checkbox"/> mm ONLY | SHT REV REVISE ON CAD ONLY | |
| | DRAFT WHERE APPLICABLE MUST REMAIN WITHIN DIMENSIONS | DRAWN BY & DATE SSHIN '98/8/03 CHECKED BY & DATE | APPROVED BY & DATE | TITLE: SALES DRAWING OF UNIVERSAL RETENTION MODULE PLASTIC FASTENER | MOLEX MOLEX INCORPORATED | SHEET NO. 2 |
| A | REV | ANGULAR: +3° | CAD FILENAME S6721002.S02 | MATERIAL NO. SEE CHART | DRAWING NO. SD-67210-002 | SIZE A3 |

THIS DRAWING CONTAINS INFORMATION THAT IS PROPRIETARY TO MOLEX INCORPORATED AND SHOULD NOT BE USED WITHOUT WRITTEN PERMISSION.