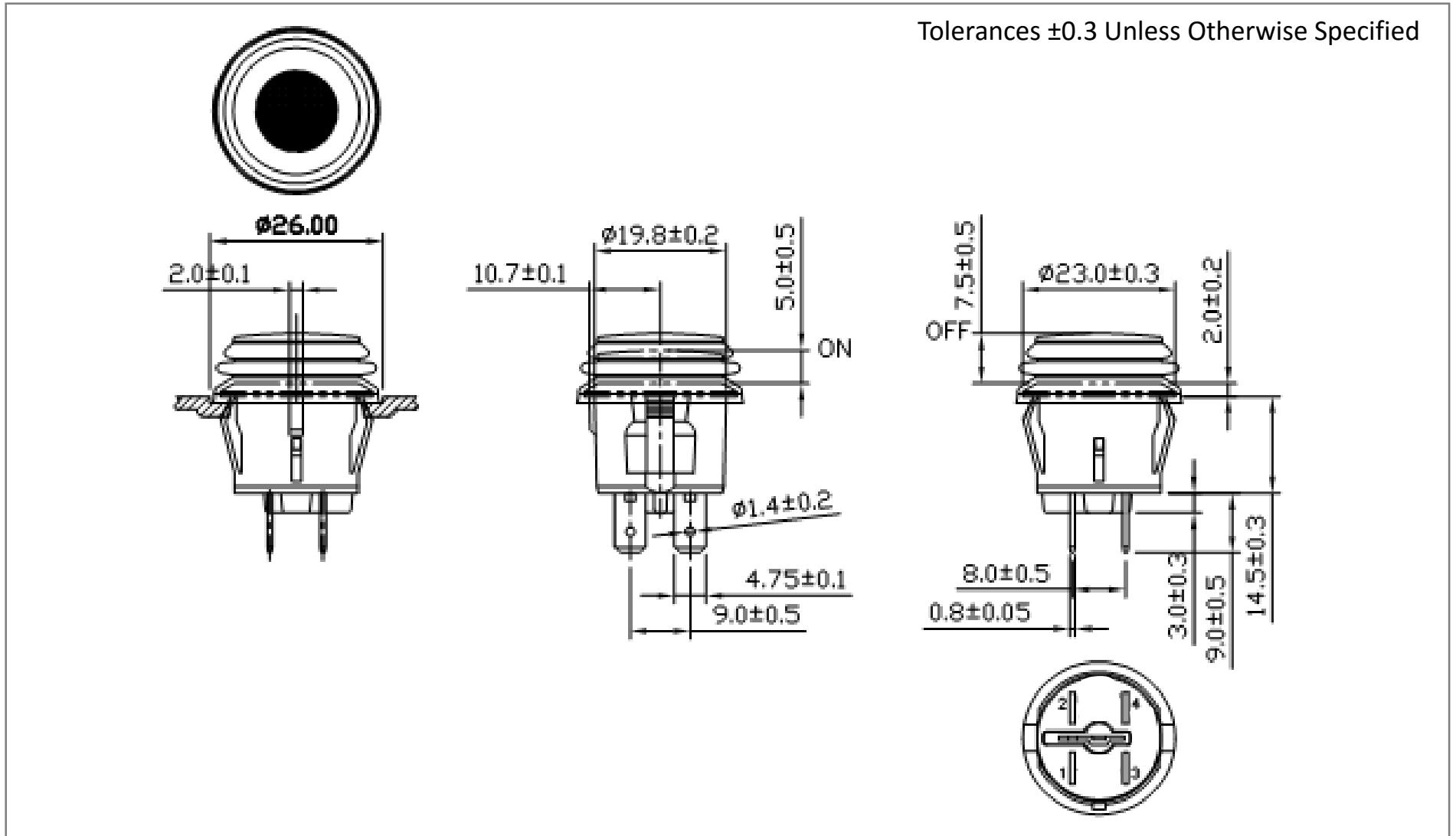
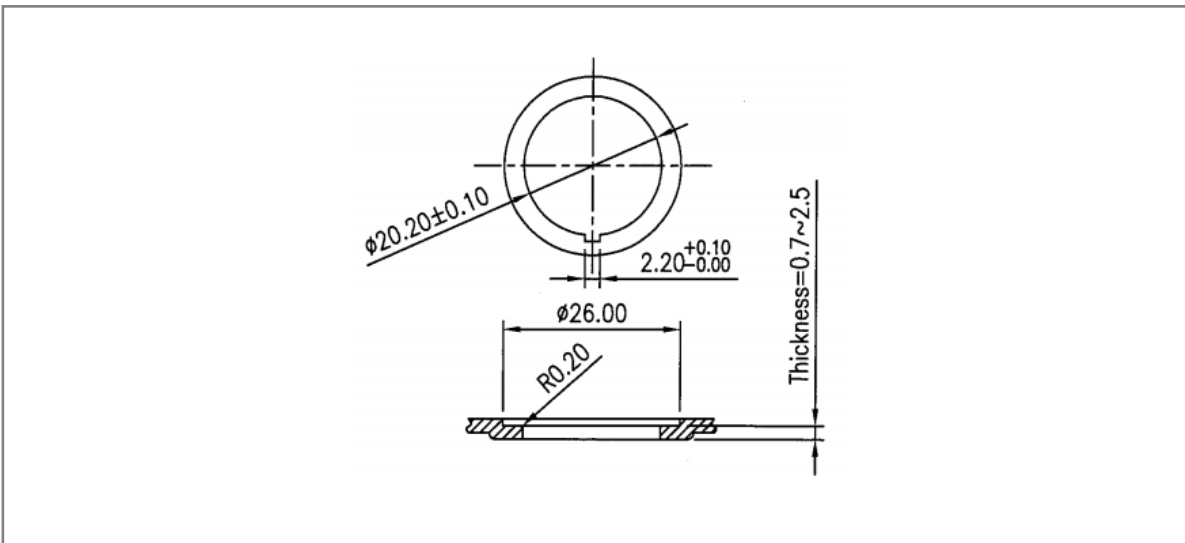


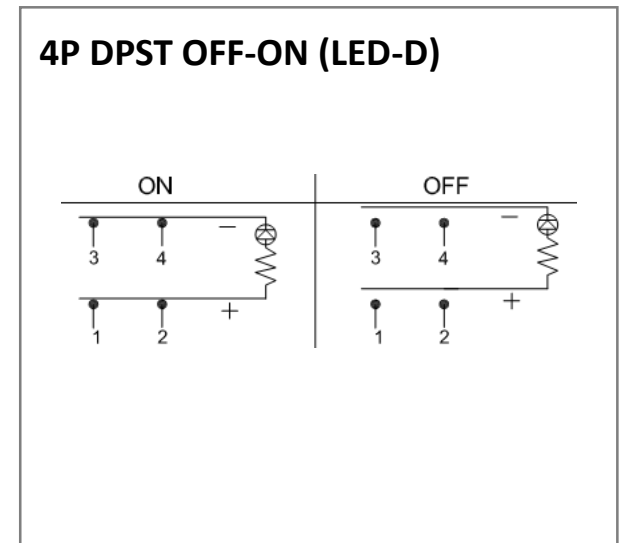
Mechanical Dimensions (mm)



Mounting Hole



Circuit Diagram



Electrical Specifications

| | |
|------------------------------|-----------------------|
| Rating | 20A 14V DC |
| Contact Resistance | 50m ohm Max. |
| Insulation Resistance | DC 500V 100M ohm Min. |
| Dielectric Strength | AC 1500V 1 minute |
| Operation Temperature | -20°C~65°C |

Material Specifications

| | |
|--------------------------|-----------------------------|
| Frame | Black, Nylon 66 |
| Actuator | Blue Clear, PC |
| Terminals | Silver plated, Copper alloy |
| Waterproof Rubber | Black, Silicone |
| LED | Blue (Dependent) |