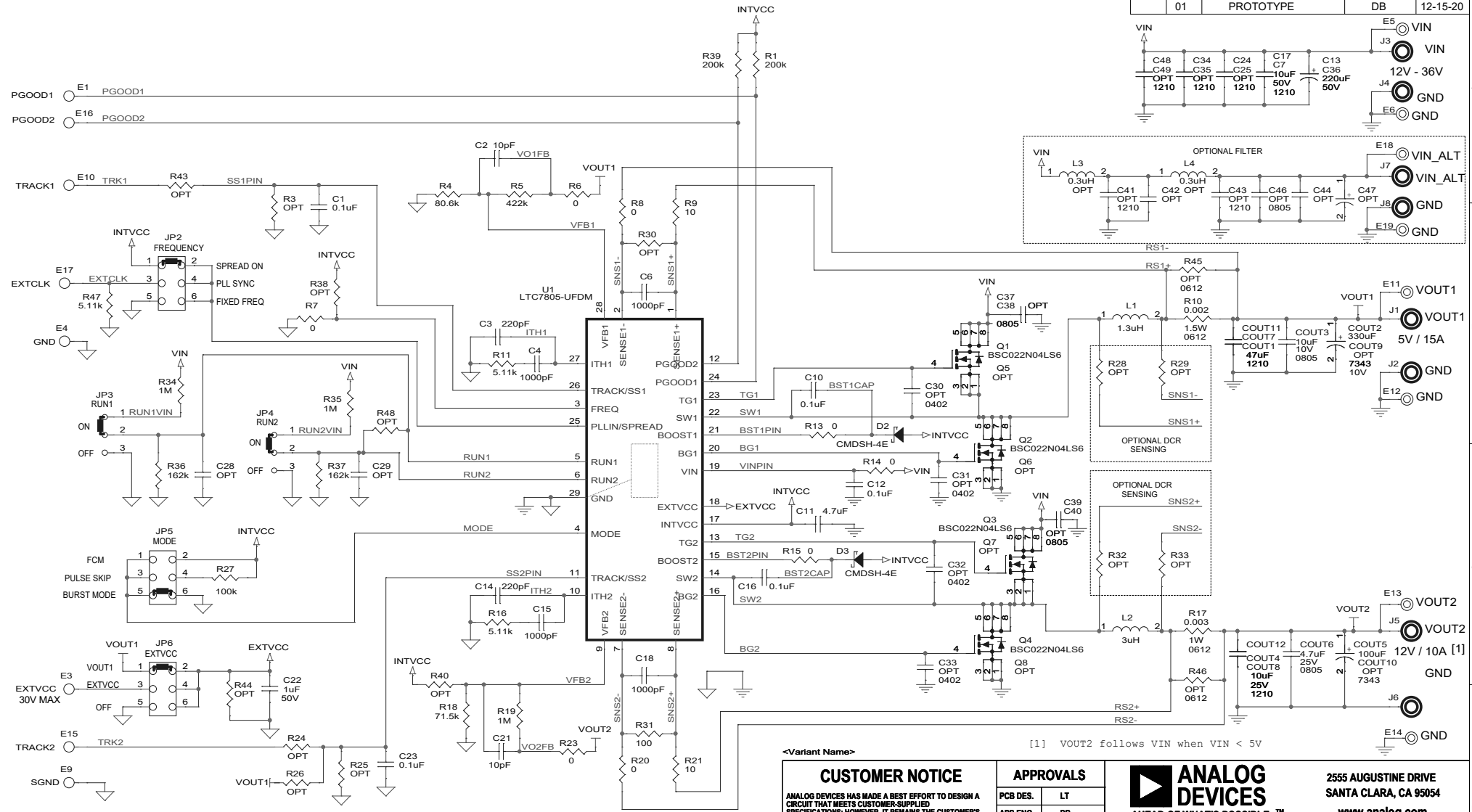


REVISION HISTORY				
ECO	REV	DESCRIPTION	APPROVED	DATE
	01	PROTOTYPE	DB	12-15-20



NOTE: UNLESS OTHERWISE SPECIFIED
1. ALL RESISTORS AND CAP ARE 0603.

PCA ADDITIONAL PARTS

MP1	STANDOFF, NYLON, SNAP-ON, 0.50"
MP2	STANDOFF, NYLON, SNAP-ON, 0.50"
MP3	STANDOFF, NYLON, SNAP-ON, 0.50"
MP4	STANDOFF, NYLON, SNAP-ON, 0.50"
LB1	BOARD S/N LABEL 895-0154
STNCL1	TOOL, STENCIL, 700-DC3138A REV01
PCB1	PCB, 600-DC3138A REV01

<Variant Name>

[1] VOUT2 follows VIN when VIN < 5V

CUSTOMER NOTICE		APPROVALS		 ANALOG DEVICES AHEAD OF WHAT'S POSSIBLE™ 2555 AUGUSTINE DRIVE SANTA CLARA, CA 95054 www.analog.com
ANALOG DEVICES HAS MADE A BEST EFFORT TO DESIGN A CIRCUIT THAT MEETS CUSTOMER-SUPPLIED SPECIFICATIONS; HOWEVER, IT REMAINS THE CUSTOMER'S RESPONSIBILITY TO VERIFY PROPER AND RELIABLE OPERATION IN THE ACTUAL APPLICATION. COMPONENT SUBSTITUTION AND PRINTED CIRCUIT BOARD LAYOUT MAY SIGNIFICANTLY AFFECT CIRCUIT PERFORMANCE OR RELIABILITY. CONTACT ANALOG DEVICES APPLICATIONS ENGINEERING FOR ASSISTANCE.		PCB DES.	LT	
		APP ENG.	DB	
TITLE: SCHEMATIC LOW IQ, DUAL, 100% DUTY CYCLE, STEP-DOWN SUPPLY				
IC NO. LTC7805UFDM		SCHEMATIC NO. AND REVISION:		
SKU NO. DC3138A		710-DC3138A_REV01		
SIZE: N/A	DATE: Tuesday, December 15, 2020	SHEET 1 OF 1		