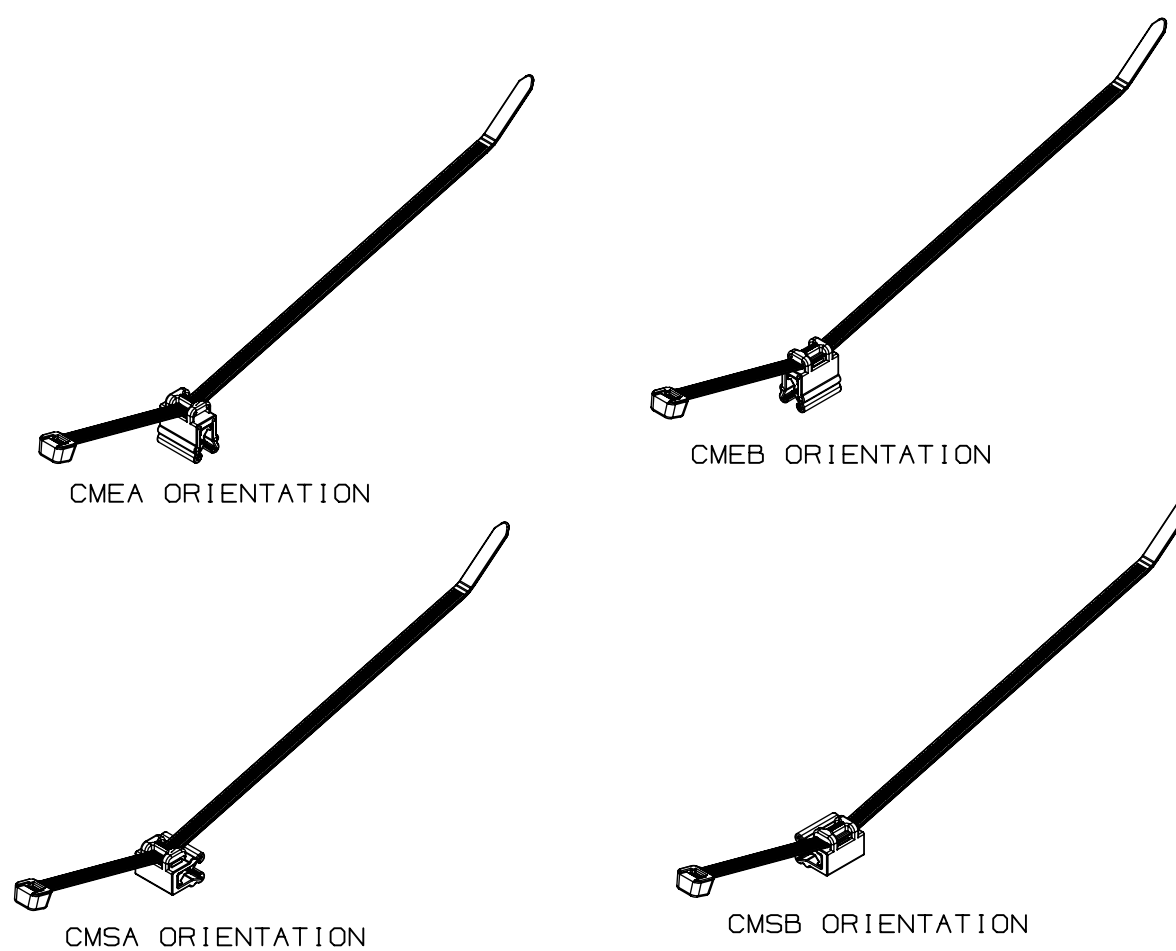
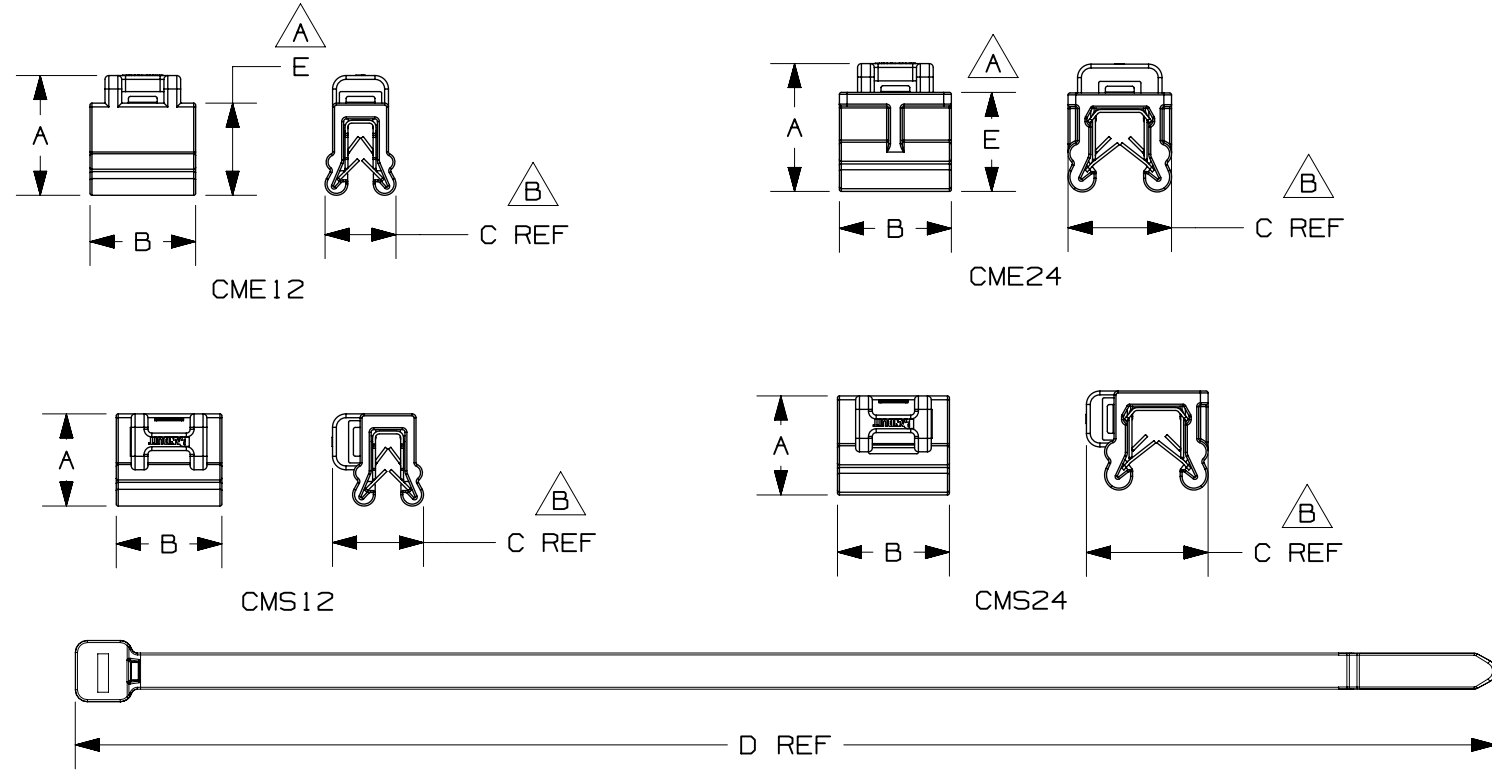


PART NUMBER	PANEL THICKNESS	MAX. BUNDLE DIAMETER	DIMENSIONS - IN (mm)					WEIGHT - g 100 PIECES		
			A	B	C REF $\triangle B$	D REF	E $\triangle A$			
CMEA12-2S	.028-.118 (.7mm-3mm)	1.88 (47.8mm)	.62 (15.7mm)	.55 (14.0mm)	.37 (9.4mm)	7.4 (188mm)	.48 (12.2mm)	282		
CMEB12-2S			.48 (12.2mm)	.55 (14.0mm)	.47 (11.9mm)		N/A		272	
CMSA12-2S			.62 (15.7mm)	.55 (14.0mm)	.37 (9.4mm)		8.0 (203mm)			.48 (12.2mm)
CMSB12-2S		.48 (12.2mm)	.55 (14.0mm)	.47 (11.9mm)	N/A	253				
CMEA12-B2S		2.00 (51mm)	.62 (15.7mm)	.55 (14.0mm)	.37 (9.4mm)			8.0 (203mm)	.48 (12.2mm)	263
CMEB12-B2S			.48 (12.2mm)	.55 (14.0mm)	.47 (11.9mm)		N/A		253	
CMSA12-B2S	.62 (15.7mm)		.55 (14.0mm)	.37 (9.4mm)	8.0 (203mm)	.48 (12.2mm)	263			
CMSB12-B2S	.48 (12.2mm)	.55 (14.0mm)	.47 (11.9mm)	N/A		253				
CMEA24-2S	.118-.236 (3mm-6mm)	1.88 (47.8mm)	.67 (17.0mm)	.58 (14.7mm)				.54 (13.7mm)	7.4 (188mm)	.52 (13.2mm)
CMEB24-2S			.52 (13.2mm)	.58 (14.7mm)	.63 (16.0)		8.0 (203mm)	.52 (13.2mm)		312
CMSA24-2S			.67 (17.0mm)	.58 (14.7mm)	.54 (13.7mm)	8.0 (203mm)		.52 (13.2mm)		
CMSB24-2S		.52 (13.2mm)	.58 (14.7mm)	.63 (16.0)	N/A			302		
CMEA24-B2S		2.00 (51mm)	.67 (17.0mm)	.58 (14.7mm)	.54 (13.7mm)		8.0 (203mm)		.52 (13.2mm)	312
CMEB24-B2S			.52 (13.2mm)	.58 (14.7mm)	.63 (16.0)	N/A			302	
CMSA24-B2S	.67 (17.0mm)		.58 (14.7mm)	.54 (13.7mm)	8.0 (203mm)	.52 (13.2mm)		312		
CMSB24-B2S	.52 (13.2mm)	.58 (14.7mm)	.63 (16.0)	N/A		302				

NOTES:

- MATERIAL:
 - CABLE TIE: HEAT STABILIZED WEATHER RESISTANT NYLON 6.6 (-300)
 - EDGE CLIP (-300)
 - MOLDED BODY: HEAT STABILIZED WEATHER RESISTANT NYLON 6.6
 - METAL CLIP: STEEL, ZINC PLATED.
- PRE-ASSEMBLED CABLE TIE IS PLT2S OR BT2S (SEE TABLE FOR PART NUMBER ASSIGNMENT).
 - "2S" = PLT2S CABLE TIE; INSIDE SERRATED TIE; 50 LBS (222N) MIN. LOOP TENSILE STRENGTH.
 - "B2S" = BT2S CABLE TIE; BARB TIE, NO SERRATIONS; 50 LBS (222N)
 - FOR ORIENTATION, SEE IMAGES BELOW.
- NO INSTALLATION TOOL IS NEEDED TO AFFIX THE EDGE CLIP TO PANEL EDGE; USE PANDUIT GTS-E OR EQUIVALENT TOOL FOR TENSION AND CUT OF THE CABLE TIE.
- REFER TO WWW.PANDUIT.COM FOR AVAILABLE SUFFIX.



SCALE: 1/2X

REV	DATE	BY	CHK	APR	DESCRIPTION	ECN
01B	03/31/22	JBN	MDS	ALP	B. CHANGED DIMENSION "C" TO REFERENCE DIMENSION	084624/02
01A	02/25/22	JBN	MDS	JADE	A. ADDED DIMENSION "E" TO CME12 & CME24 VIEWS, DIMENSION VALUES SHOWN IN TABLE	084624/01
00	7/13/20	JHNU	MDS	RMHI	DRAWING RELEASED	084624

TITLE EDGE CLIP WITH CABLE TIE ASSEMBLY (SEE PART NUMBERS IN TABLE)	
CUSTOMER DRAWING	
ITEM REVISION NAME 01688NCD/01	PANDUIT
DATASET FILE NAME 01688NCD_DC/01B	
UNLESS OTHERWISE SPECIFIED, DIMENSIONAL TOLERANCES ARE: IN [mm]	
.x ± .1 [2.54]	.xxx ± .005 [.127]
.xx ± .01 [.25]	ANGLES ± 5 °
THIRD ANGLE PROJECTION	
DRAWING NUMBER: 01688NCD-DC	
DRAWN BY JHNU	DATE 7/13/20
CHK MDS	SCALE FULL, 1/2
SHT 1 OF 1	
SIZE B	

D101008B/17