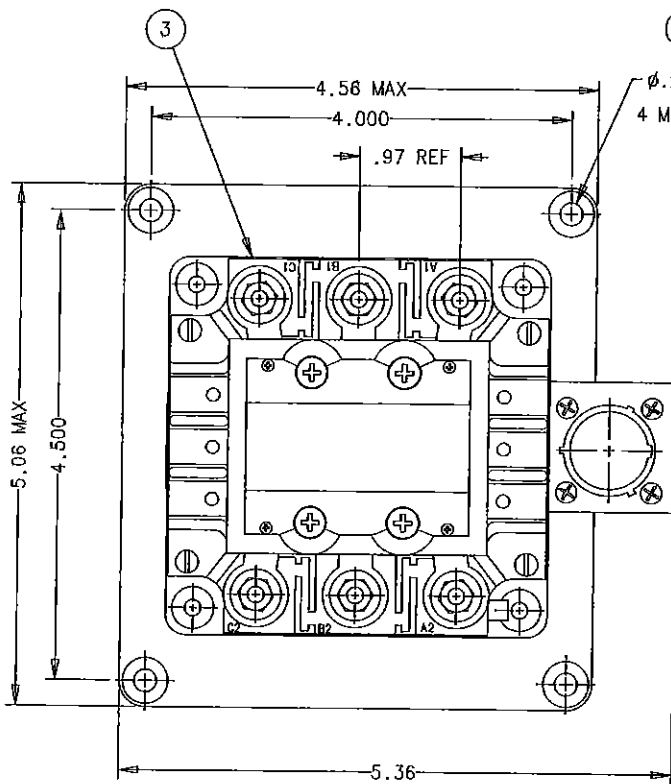


CONFIGURATION CONTROLLED

REVISIONS		RELEASED	DATE	APPROVED
SYM	DESCRIPTION			
A	0357-02 REDRAWN, ITEM 11 WAS PN-6110		02/11/15	CC



CONSTRUCTION GASKET SEALED AND VENTED

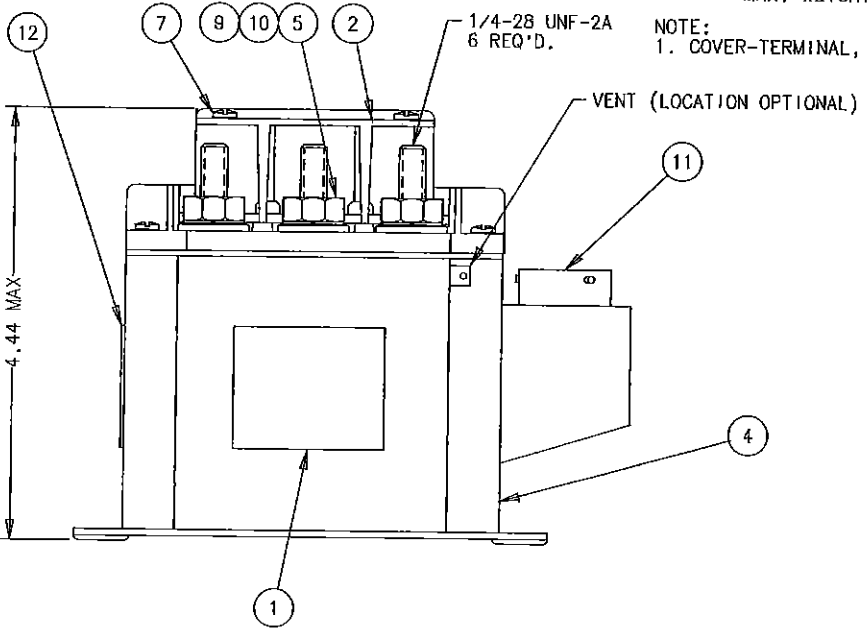
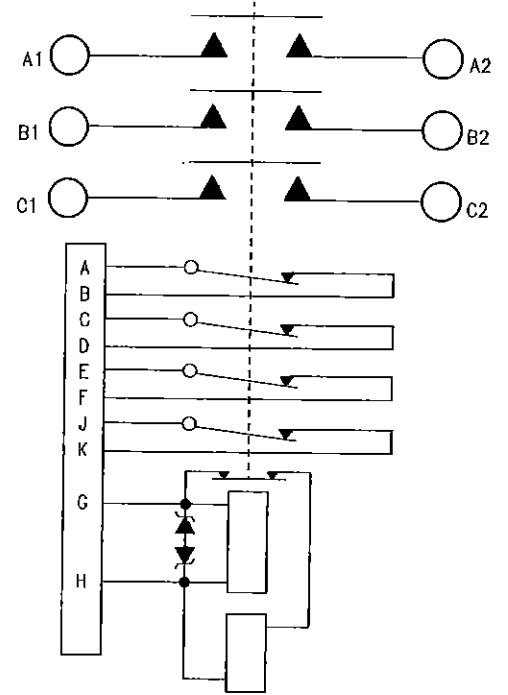
MAIN CONTACTS
 CONFIGURATION 3 PST N.O., DOUBLE BREAK
 VOLTAGE (NOM) 115 VAC 400 HZ
 CURRENT RES 200 AMP.
 IND. 200 AMP.
 RUPTURE 2000 AMP

AUX. CONTACTS
 CONFIGURATION 4 PST, N.C.
 VOLTAGE 28 VDC OR 115 VOLTS, 400 HZ
 CURRENT RES 5 AMP.

COIL DATA
 DUTY CYCLE CONTINUOUS, ECONOMIZING
 OPER. VOLTAGE (NOM) 28 VDC
 PICKUP MAX. 18 VDC
 DROPOUT 1 - 7 VDC

COIL RESISTANCE
 PICKUP $12\Omega \pm 20\%$
 HOLDING $60\Omega \pm 20\%$

ENVIRONMENTAL DATA
 OPERATING TEMP. $-55^{\circ}\text{C MIN. } +71^{\circ}\text{C MAX.}$
 LIFE ELECTRICAL 50,000 CYCLES MIN.
 LIFE MECHANICAL 100,000 CYCLES MIN.
 MAX. WEIGHT 3.0 LBS.



NOTE:
 1. COVER-TERMINAL, TOP (ITEM 2) REMOVED FROM TOP VIEW

QTY	PART OR IDENTIFYING NO	NOMENCLATURE OR DESCRIPTION	FSCM NO	DRAWING OR SPECIFICATION	MATERIAL OR NOTE
12	1	12771-001		PLATE - WARNING	
11	1	52512-013		CONNECTOR AFD50-12-10 PN-6116 OR 6117	
10	6	51807-034		WASHER-LOCK, NO. 1/4 SPLIT	BRONZE
9	6	51703-064		WASHER-FLAT, 1/2 X 17/64 X .032	BRASS
8					
7	4	51204-541		SCREW, 4-40 X 1/4 RD. HD.	STEEL
6					
5	8	50407-074		NUT, 1/4-28 X 3/8 X 3/16 HEX.	BRASS
4	1	39236-010		CONTACTOR ASSEMBLY - PRI.	
3	1	39238-001		PLATE - WIRING DIAGRAM	
2	2	30280-001		COVER - TERMINAL TOP	
1	1	16043-001		PLATE - NAME	

UNLESS OTHERWISE SPECIFIED DIMENSIONS ARE IN INCHES TOLERANCES ON			
2 PL DEC.13 PL DEC. ANGLES		Hartman TM Division, 175 N. DIAMOND STREET WANSFIELD, OHIO 44802	
DR BY	CSC 03/03/18	CONTACTOR - 3PST N.N. 200 AMP, 115 VAC, 400 HZ	
CHK BY	CA 03/03/21		
ENGR	WJL 03-03-21		
MFG	WJL 03-03-21	DWG NO.	B-312CV
SIZE	CODE IDENT	REF TYCO P/N 0-1616004-5	
C	74063		
* .06	* .010	SCALE	NONE SHEET