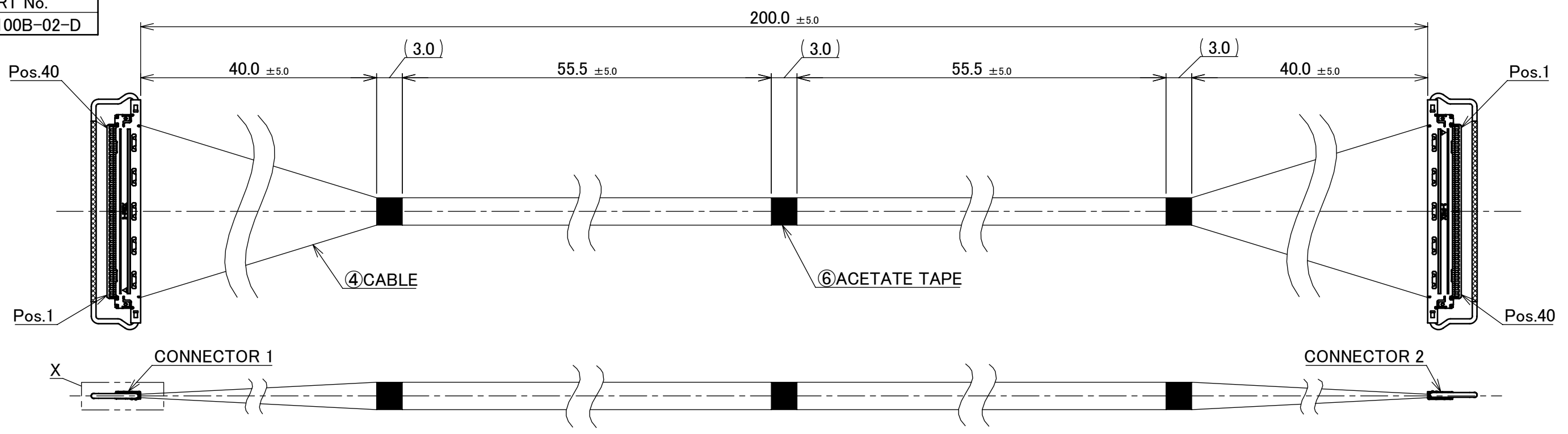
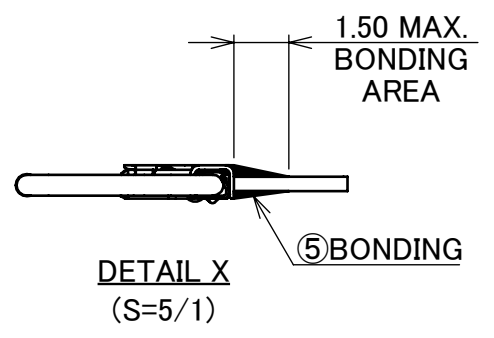
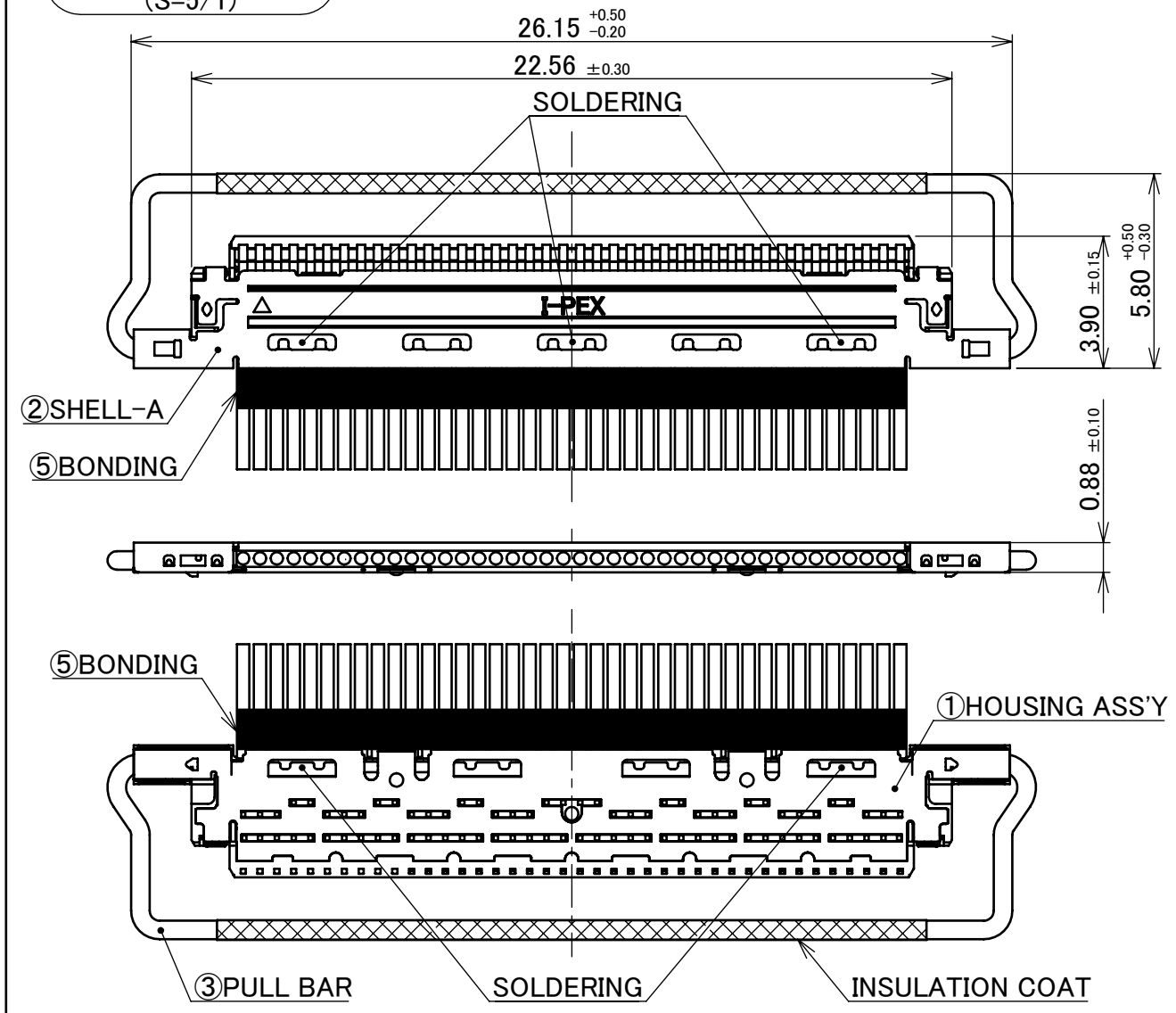


PART No.
81422-100B-02-D



CONNECTOR 1&2
(S=5/1)



PIN ASSIGNMENT		
CONNECTOR 1	CABLE	CONNECTOR 2
40	MICRO-COAXIAL AWG#40 50 OHM, BLUE	1
39	MICRO-COAXIAL AWG#40 50 OHM, BLUE	2
.	MICRO-COAXIAL AWG#40 50 OHM, BLUE	.
2	MICRO-COAXIAL AWG#40 50 OHM, BLUE	39
1	MICRO-COAXIAL AWG#40 50 OHM, BLUE	40

NOTE.
1. TO HANDLE THIS CONNECTOR YOU MUST READ AND FOLLOW THE INSTRUCTION MANUAL BELOW. I-PEX INSTRUCTION MANUAL No.HIM-08004.
2. ELECTRIC CHARACTERISTICS
WITHSTANDVOLTAGE : AC 250V(1SEC.) LEAKAGE CURRENT 2.0mA MAX.
INSULATION RESISTANCE : 50MΩ MIN. DC 100V (0.5SEC.)

NO.	DESCRIPTION	PARTS NO.	QTY	REMARKS
6	ACETATE TAPE	-	3	BLACK
5	BONDING	-	-	UV GLUE
4	CABLE	-	40	MICRO-COAXIAL AWG #40, 50 OHM, BLUE
3	PULL BAR	2576-140-00	2	CONNECTOR 1&2
2	SHELL-A	2574-0402	2	
1	HOUSING ASS'Y	20454-240T	2	CABLIN [®] -VS PLUG P/N : 20453-240T-03 CONNECTOR TO BE MATED : 20455-040E-66

For DIGI-KEY CORPORATION										
REV.	ECN	BY	DATE	APP.	ANGLE	6 OVER 30 MAX.	±0.3	PROJECTION	SERIES No.	CUSTOMER COPY
0	Z210510	K.B	May/19/'21		±2°	6 OVER 30 MAX.	±0.3		IH-210016	CUSTOMER COPY
					6 MAX.	30 OVER 120 MAX.	±0.5			
REVISION RECORD					GENERAL TOLERANCE.			TITLE		SCALE
					DWG. K.Baba DATE 2021/05/19			CABLIN [®] -VS 40P HARNESS		2:1
					CHK. R.Takei					UNIT
					APP. H.Ikari			DWG. No. 81422		mm
								SIZE A3		SHEET 1/1
										REV. 0

Confidential B

I-PEX Inc.

QKE-DFE06-02 REV.12