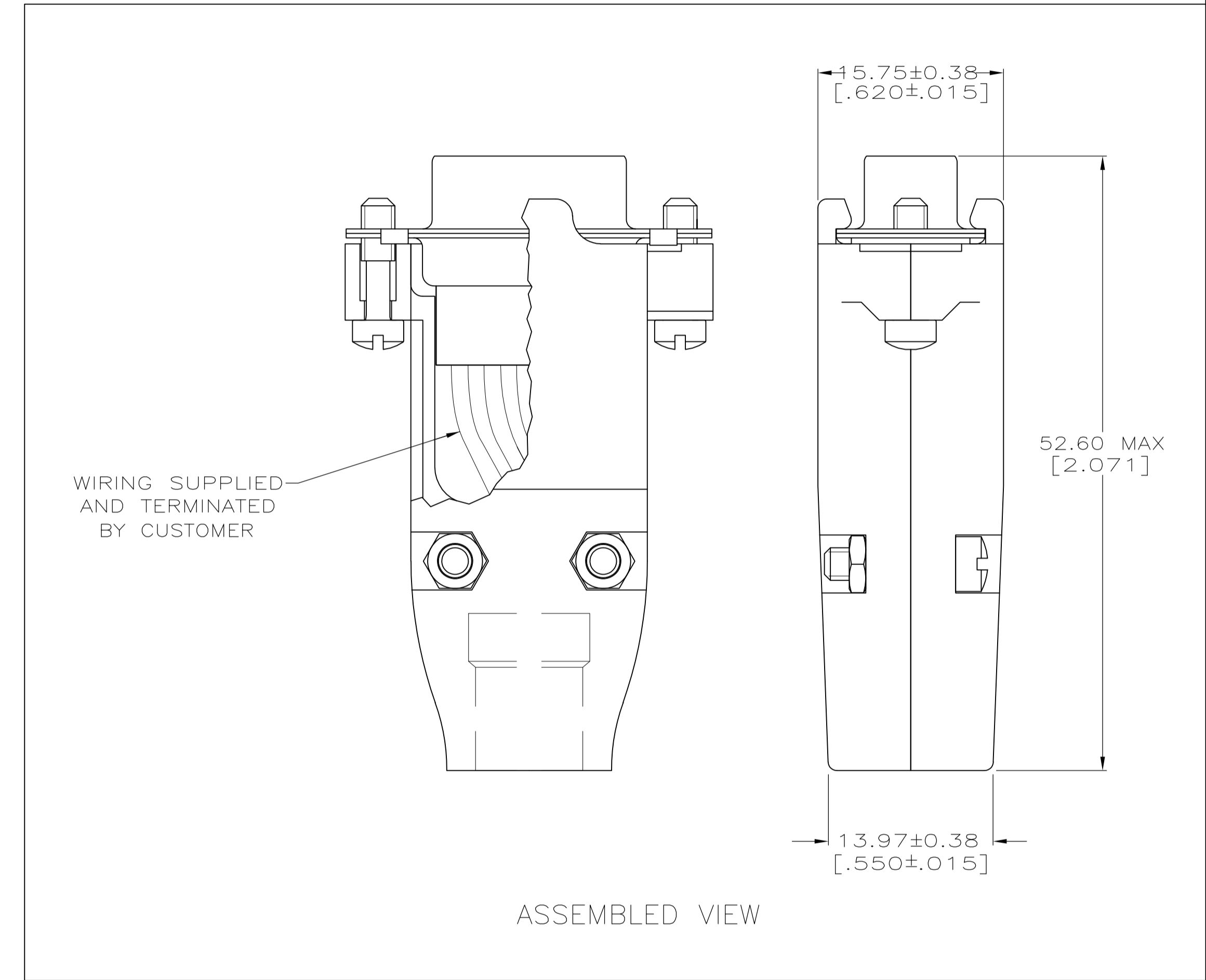
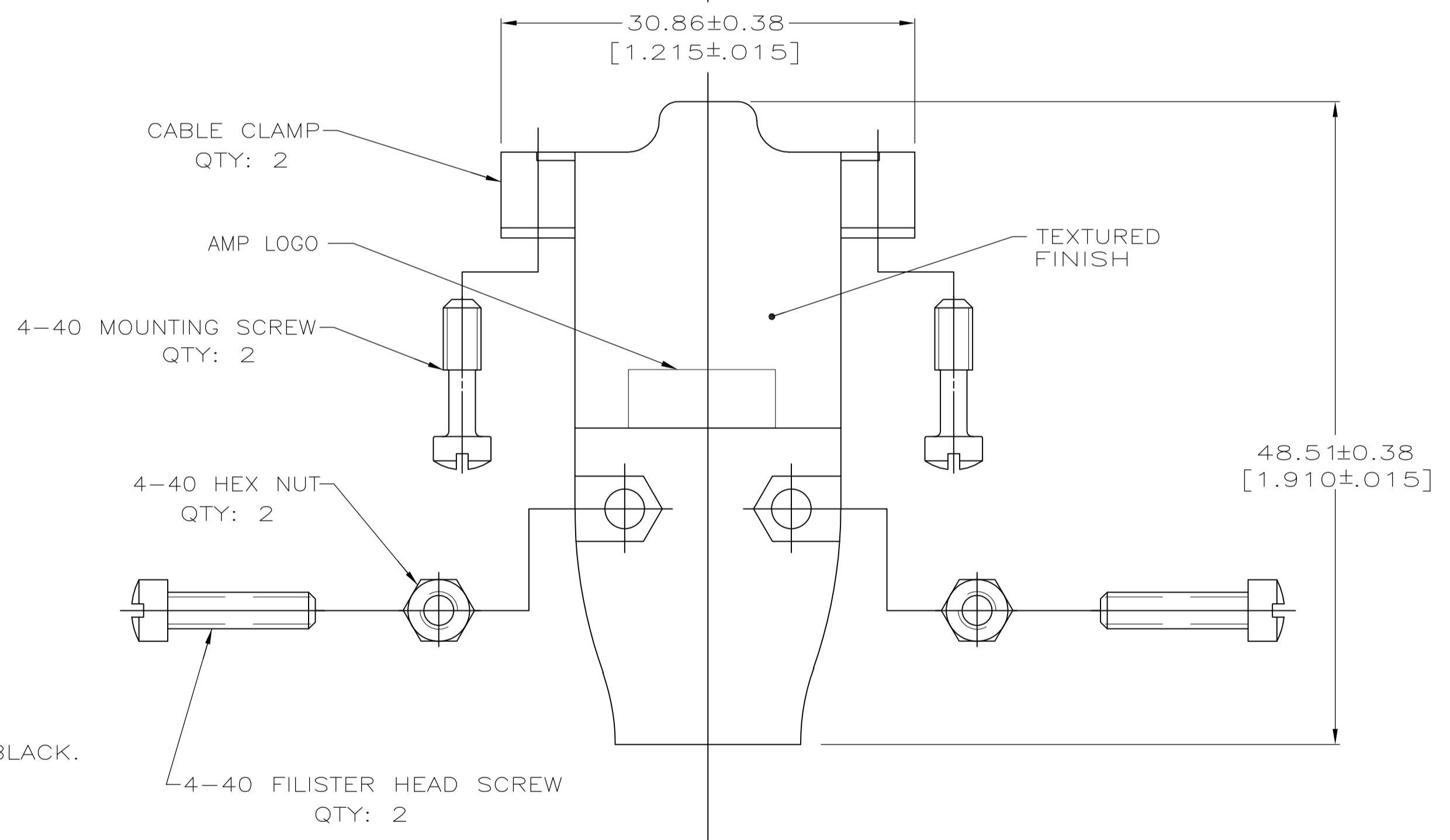


REAR INSERT AMP. PART NO & DATE CODE, MARKED IN AREA INDICATED, ON FAR SIDE



- 1 CONTACTS ACCEPT 24-20 AWG RANGE.
- 2 INSERTS: NYLON, GLASS FILLED, UL 94V-0 RATED, BLACK.
- 3 GROMMETS: PVC, UL 94V-0 RATED, BLACK.
- 4 CONTACTS: PHOSPHOR BRONZE.
- 5 SHELL: CARBON STEEL.
- 6 CABLE CLAMPS: ZINC; SCREWS & NUTS: CARBON STEEL.
- 7 CONTACTS: GOLD FLASH FOR A LENGTH OF 2.54[.100] MIN FROM MATING END, 2.54µm[.000100] MIN TIN ON OPPOSITE END FOR A LENGTH OF 4.06 [.160] MIN FROM END OF INSULATION BARREL, BOTH OVER 0.76µm[.000030] MIN NICKEL ON ENTIRE CONTACT.
- 8 SHELLS: 5.08µm[.000200] MIN TIN OVER 2.54µm[.000100] MIN COPPER.
- 9 MOUNTING SCREWS & NUTS: 3.81µm[.000150] MIN ZINC, CLEAR CHROMATE COATED. FILISTER HEAD SCREWS: ZINC, CLEAR CHROMATE COATED.
- 10 CABLE CLAMPS: NICKEL OVER COPPER.

749806-7  
PART NUMBER

|  |  |                               |   |                       |
|--|--|-------------------------------|---|-----------------------|
| THIS DRAWING IS A CONTROLLED DOCUMENT. |  | DIN<br>J. REITZEL<br>1AUG03   | STE<br>TE Connectivity  |                       |
| DIMENSIONS:<br>mm [INCHES]             |  | CHK<br>S. BOLASH<br>1AUG03    | NAME<br>RECEPTACLE KIT, UNASSEMBLED,<br>SIZE 1, 9 POSN, METAL SHELL,<br>AMPLIMITE, HDP-20 |                       |
| TOLERANCES UNLESS OTHERWISE SPECIFIED: |  | APP'D<br>M. WAMSLEY<br>1AUG03 | PRODUCT SPEC<br>108-40005   |                       |
| 0. PLC ± -                             |  | APPLICATION SPEC<br>114-40030 |   |                       |
| 1. PLC ± ± 0.13[.005]                  |  | SIZE<br>A1                    |   | CAGE CODE<br>749806-7 |
| 2. PLC ± ± -                           |  | WEIGHT<br>-                   |   | RESTRICTED TO<br>-    |
| 3. PLC ± ± -                           |  | CUSTOMER DRAWING              |   |                       |
| 4. PLC ± ± -                           |  | SCALE<br>2:1                  |   | SHEET<br>1 OF 1       |
| ANGLES ± ± -                           |  | REV<br>B1                     |   |                       |