

# Product Change Notification PCN

PCN-2022-008

Publication date: April 25, 2022



## Subject: Change of packaging and packaging unit (PU)

Dear customer,

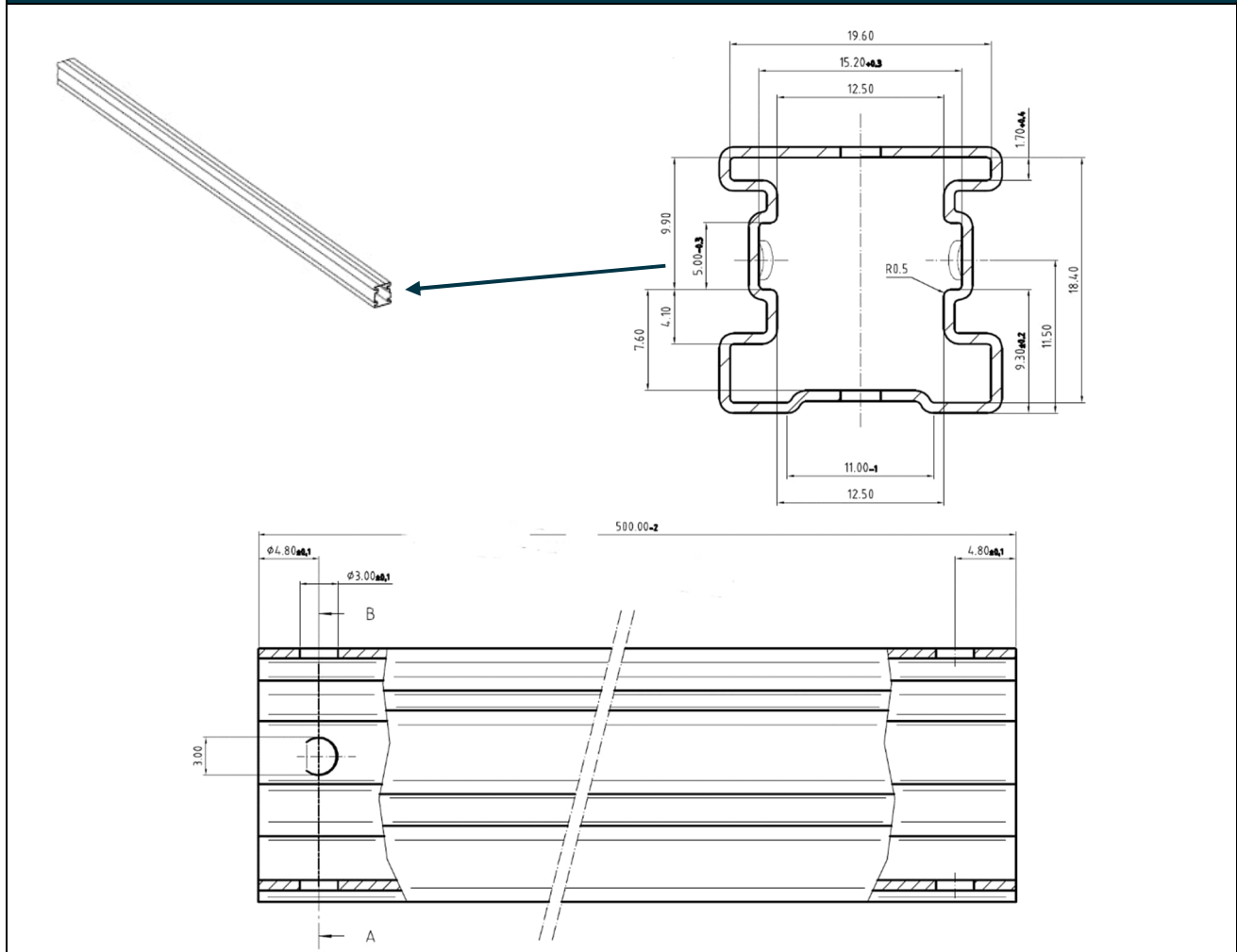
The following products of our product range will be changed.

Article number	Description	Category of change	Description of change	Launch date
3.14.100.601/0000	RF 15 N Tactile switch Au	<input type="checkbox"/> dimensional <input type="checkbox"/> appearance <input type="checkbox"/> materials <input type="checkbox"/> functional <input checked="" type="checkbox"/> other	The packaging changes from a carton to a packaging rail. This will adjust the PU from 25 pcs to 32 pcs. This is just a packaging change.	From April 28, 2022
3.14.100.606/0000	RF 15 N Tactile switch Ag	<input type="checkbox"/> dimensional <input type="checkbox"/> appearance <input type="checkbox"/> materials <input type="checkbox"/> functional <input checked="" type="checkbox"/> other	The packaging changes from a carton to a packaging rail. This will adjust the PU from 25 pcs to 32 pcs. This is just a packaging change.	From April 28, 2022
3.14.100.801/0000	RF 15 R Tactile switch Au high	<input type="checkbox"/> dimensional <input type="checkbox"/> appearance <input type="checkbox"/> materials <input type="checkbox"/> functional <input checked="" type="checkbox"/> other	The packaging changes from a carton to a packaging rail. This will adjust the PU from 25 pcs to 32 pcs. This is just a packaging change.	From April 28, 2022
3.14.100.806/0000	RF 15 R Tactile switch Ag high	<input type="checkbox"/> dimensional <input type="checkbox"/> appearance <input type="checkbox"/> materials <input type="checkbox"/> functional <input checked="" type="checkbox"/> other	The packaging changes from a carton to a packaging rail. This will adjust the PU from 25 pcs to 32 pcs. This is just a packaging change.	From April 28, 2022

The packaging change also affects existing orders.

The information in this sheet only contains general descriptions and / or performance features, which may not apply precisely as described to the respective application, and which may change due to further product enhancements. The technical data, illustrations and other information about our products are the mere results of individual technical testing. These descriptions and other product features are only binding if they expressly agreed upon at the time of the conclusion of a binding contract. In all other cases, we reserve the right to make technical changes as well as changes of availability. Pictures and other graphic illustrations are approximations only. All product names may be trademarks or brand names of the RAFI Group or any other sub-supplier of RAFI. The use of such by any third parties for their own purposes may infringe the rights of the respective entity holding those rights. Subject to change and errors excepted. Details about delivery times and availability are noncommittal and have no legal force.

### Description of the packing rail



In case of questions or demands do not hesitate to contact the known RAFI contact person.

**Please forward this important information also to other responsible departments in your company.**

We thank you for the trust you have placed in us and our products and look forward to further cooperation with you.

Best regards,

Product Management

The information in this sheet only contains general descriptions and / or performance features, which may not apply precisely as described to the respective application, and which may change due to further product enhancements. The technical data, illustrations and other information about our products are the mere results of individual technical testing. These descriptions and other product features are only binding if they expressly agreed upon at the time of the conclusion of a binding contract. In all other cases, we reserve the right to make technical changes as well as changes of availability. Pictures and other graphic illustrations are approximations only. All product names may be trademarks or brand names of the RAFI Group or any other sub-supplier of RAFI. The use of such by any third parties for their own purposes may infringe the rights of the respective entity holding those rights. Subject to change and errors excepted. Details about delivery times and availability are noncommittal and have no legal force.