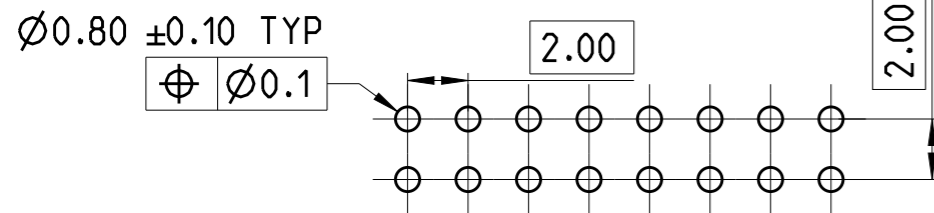
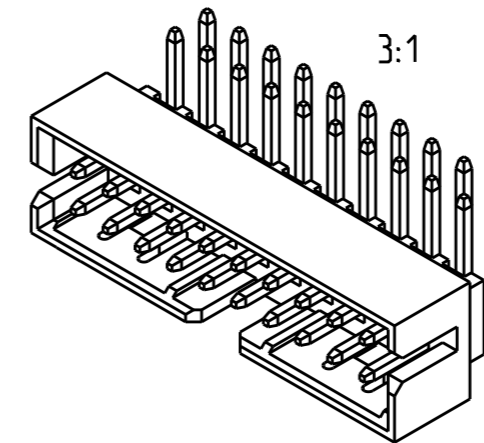
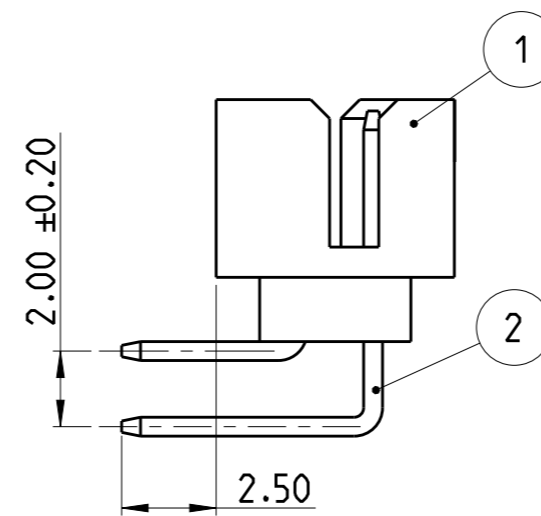
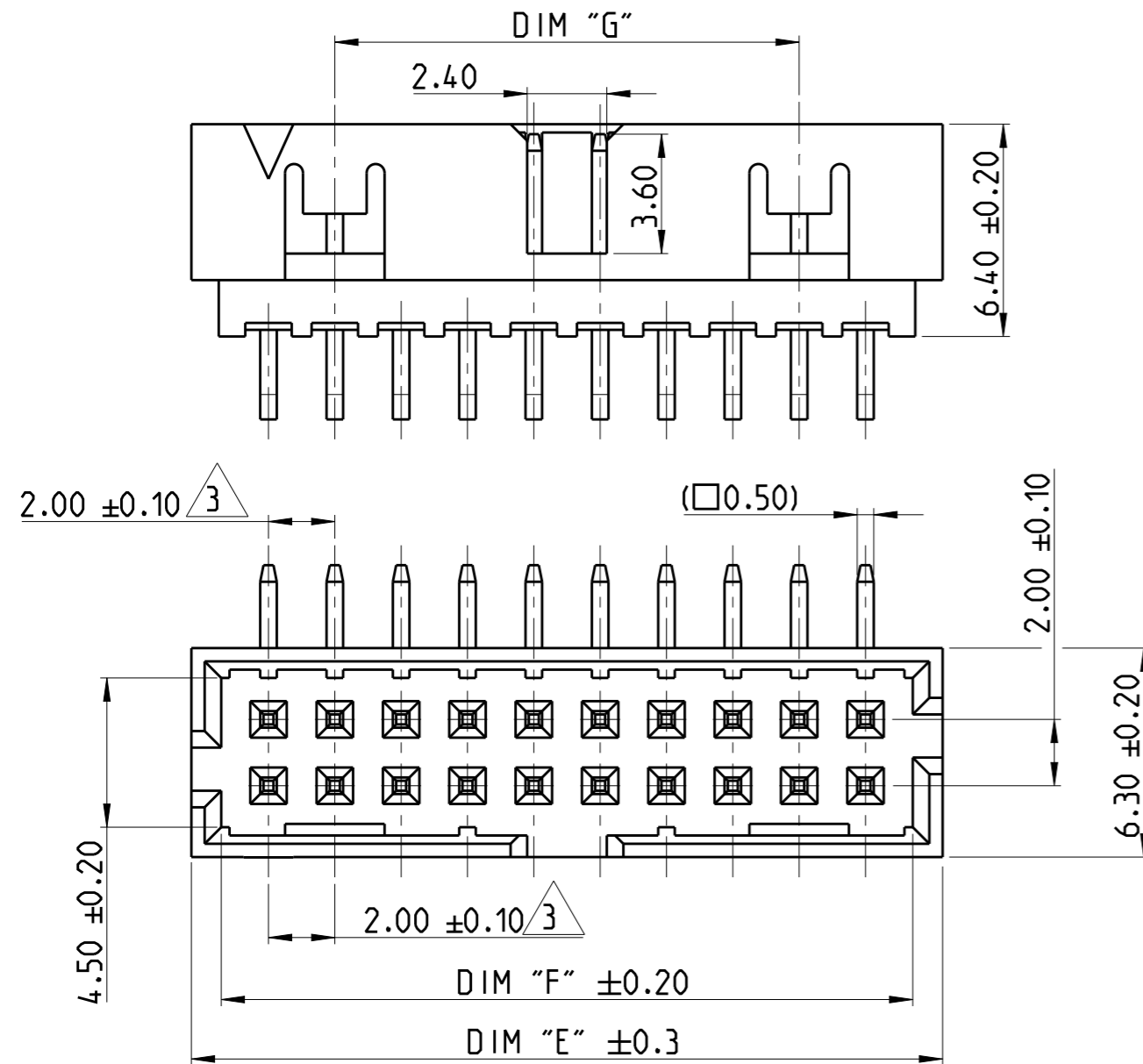


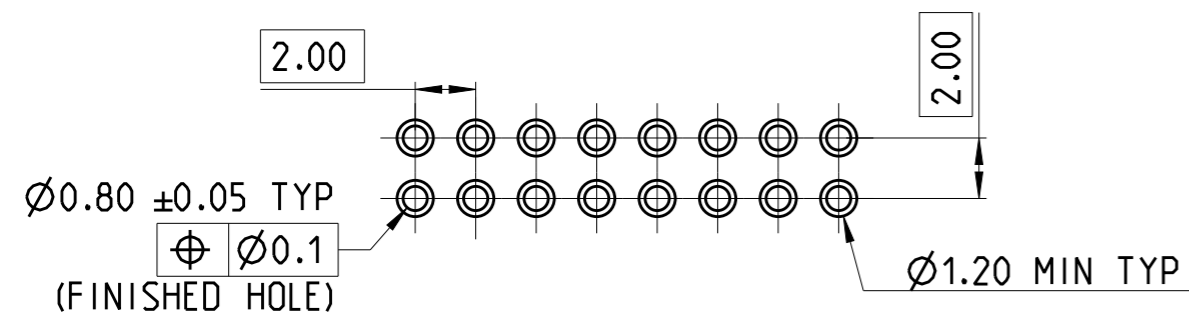
P	LTR	DESCRIPTION	DATE	DWN	APVD
A		RELEASE TO PRODUCTION	29NOV2019	AY	PS

NOTES:

- MATERIAL
HOUSING : HIGH TEMPERATURE THERMOPLASTIC, UL94-V0; COLOR- BLACK
CONTACT PIN : COPPER ALLOY
FINISH :
MATING SIDE : MIN. 0.38 μ m GOLD OVER NICKEL UNDER PLATING.
SOLDER SIDE : MIN. 2.0 μ m TIN OVER NICKEL UNDER PLATING.
 - PACKAGING: TUBE.
- \triangle TOLERANCE NOT CUMULATIVE.



RECOMMENDED PCB HOLE PATTERN FOR THROUGH HOLE WAVE



RECOMMENDED PCB HOLE PATTERN FOR THROUGH HOLE REFLOW/PIN-IN-PASTE

2-2842249-0 AS SHOWN

DESCRIPTION	ITEM NO.
CONTACT PIN	2
HOUSING	1

DIM "G"	DIM "F"	DIM "E"	POS.	TE PN
44	50.85	52.65	50	5-2842249-0
38	44.85	46.65	44	4-2842249-4
34	40.85	42.65	40	4-2842249-0
28	34.85	36.65	34	3-2842249-4
24	30.85	32.65	30	3-2842249-0
20	26.85	28.65	26	2-2842249-6
18	24.85	26.65	24	2-2842249-4
14	20.85	22.65	20	2-2842249-0
10	16.85	18.65	16	1-2842249-6
8	14.85	16.65	14	1-2842249-4

THIS DRAWING IS A CONTROLLED DOCUMENT.

DWN	9SEP2019	<p>TE Connectivity</p>	<p>NAME</p> <p>AMPMODU 2mm SHROUDED HEADER, DUAL ROW, RIGHT ANGLE, 0.38 Au, TUBE</p>
CHK	12SEP2019		
APVD	13SEP2019		
PRODUCT SPEC	108-64040		
DIMENSIONS:	TOLERANCES UNLESS OTHERWISE SPECIFIED:	APPLICATION SPEC	RESTRICTED TO
mm	0 PLC \pm	114-32259	
	1 PLC ± 0.25	WEIGHT	
	2 PLC \pm		
	3 PLC \pm		
	4 PLC \pm		
	ANGLES $\pm 2^\circ$		
MATERIAL	FINISH	CUSTOMER DRAWING	SCALE 5:1 SHEET 1 OF 1 REV A
SEE NOTES	SEE NOTES		