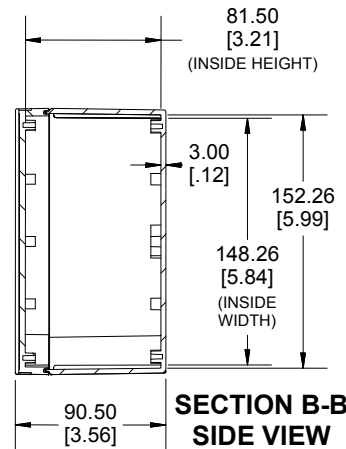
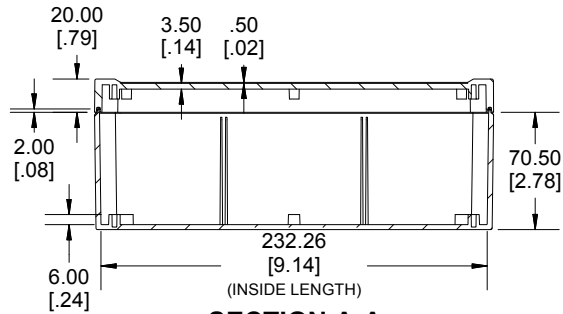
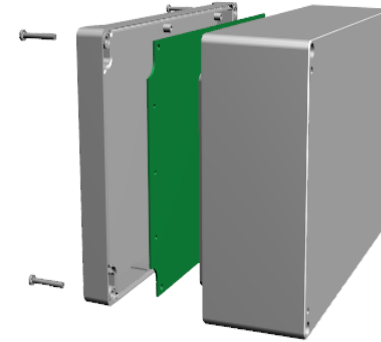


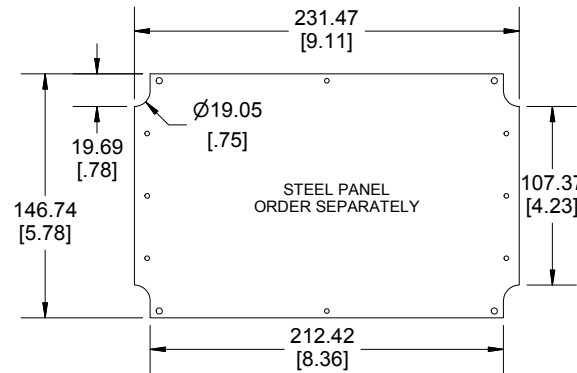
**TOP VIEW**



**SECTION B-B SIDE VIEW**



**SECTION A-A SIDE VIEW**



STEEL PANEL  
ORDER SEPARATELY

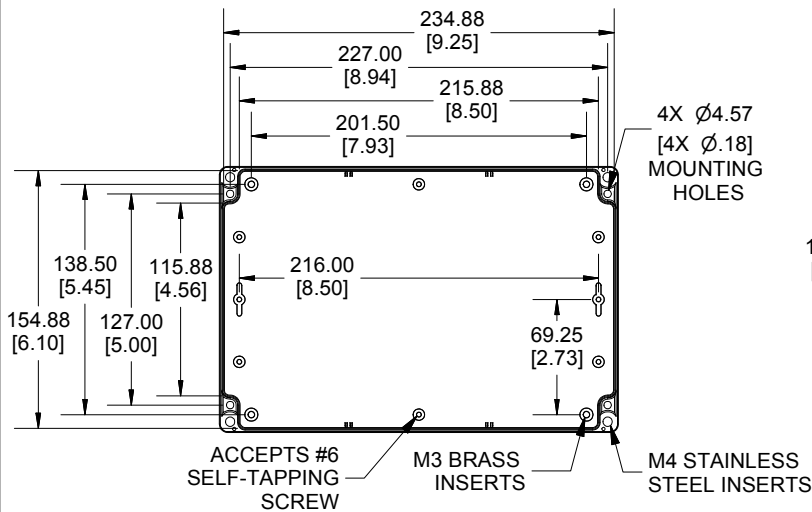


Enclosures can be Factory Modified ( Milling, Drilling, Printing etc.)  
Contact Factory [mjm@hammondmfg.com](mailto:mjm@hammondmfg.com) for quotes  
Solid models of this enclosure available in STEP or IGES.  
(Part number and text placement/orientation on our products are subject to change, we do not recommend using them as a locating reference for modification purposes)

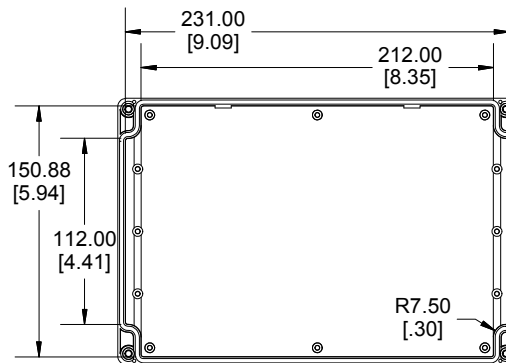
**NOTE**

Purchased assembly includes box, styled lid, 4 cover screws, and preformed silicone gasket.  
General Purpose ABS version is not UL approved. (Matl UL94 - HB)  
Polycarbonate version is UL 508 approved. (Matl UL94 - 5VA @ 3mm)

**Recommended Cover screw torque -- 2.5 lbf-in (30 cN-m)**



**INSIDE BOX**



**INSIDE LID**

Dimensions:  
mm  
[inches]

<b>1555V</b>	
<b>1555V Regular Enclosure</b>	
General Purpose ABS RAL-7035	1555VGY
Polycarbonate RAL-7035	1555V2GY
<b>ACCESSORIES</b>	
Steel Inner Panels	1554VPL
Steel Panel / P.C. Board Machine Screw [M3 x 8mm Plated]	1591MM100
Steel Panel / P.C. Board Self Tapping Screw [#6 X 1/4" (6.4mm) Plated]	1598ATS100
Cover Screws (Pkg 4) [M4 X 25mm Stainless Steel]	SC1554V
Silicone Pre-formed Gasket Black	1554VGASKET

