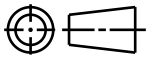
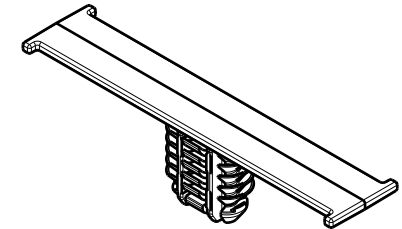


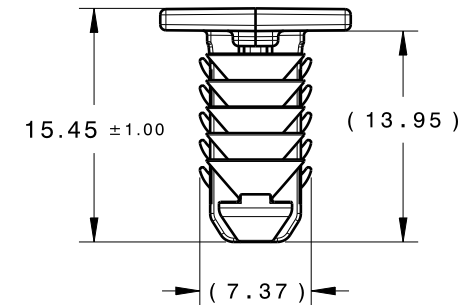
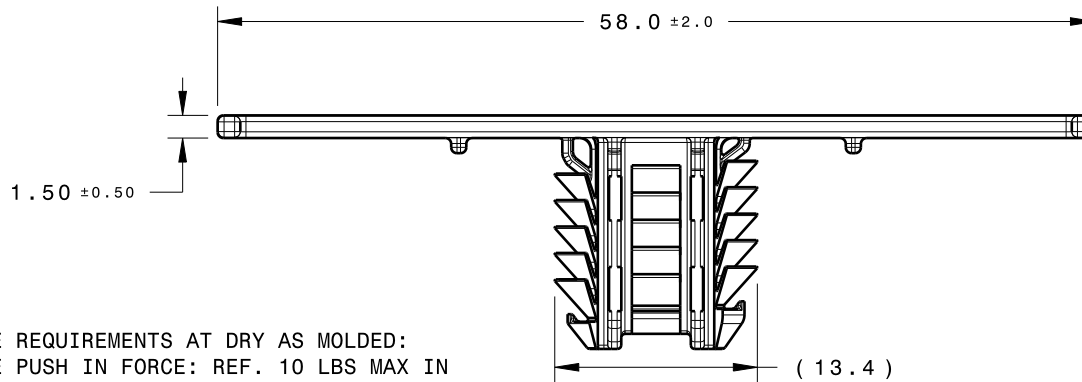
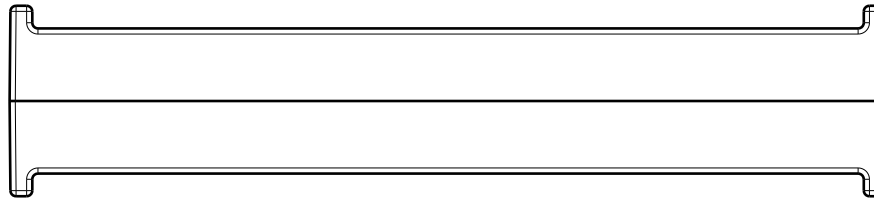
CATIA V5



Revision Level			Revision Record	Changed	Date	Approved	Date
Drawing	State	Part					
12.1	Design Release	D	SEE ECN# 013334	CJR	1/7/16	KVH	1/7/16



ISOMETRIC VIEW (1/1)



REFERENCE:

PERFORMANCE REQUIREMENTS AT DRY AS MOLDED:

1. FIR TREE PUSH IN FORCE: REF. 10 LBS MAX IN EACH APPLICABLE OVAL HOLE SIZE AND A PLATE THICKNESS OF 1.8mm
2. FIR TREE PULL OUT FORCE: REF. 25 LBS MIN IN EACH APPLICABLE OVAL HOLE SIZE AND A PLATE THICKNESS OF 1.8mm
3. SHEET METAL THICKNESS RANGE: 0.60mm - 6.0mm
4. APPLICABLE OVAL HOLE SIZES:
 - A. 6.2 X 12.2mm
 - B. 6.5 x 12.5mm
 - C. 6.5 x 13.0mm
 - D. 7.0 x 12.0mm

COLOR	TYPE NUMBER
NATURAL	BCFTOVAL
BLACK	BCFTOVAL

Material PA66HIRHS COLOR: SEE TABLE	Units	millimeters	The copyright of this drawing is reserved by HellermannTyton. It is issued on condition that it is not reproduced, copied or disclosed to a third party, either wholly or in part, without the consent of HellermannTyton.	Drawn	SJA	04/22/11	Article/Type-No SEE TABLE	Scale	2:1	
	Tolerance defined on each dimension	Approved		AAC	04/22/11	Title TAPE CLIP WITH OVAL FIR TREE		Project Number	11-0339	
		HellermannTyton			Drawing-No		PRODUCTION : Phase	Format	AH	
					North America Email: corp@htamericas.com Web: www.hellermann.tyton.com			11-0339-001-CSU		Sheet