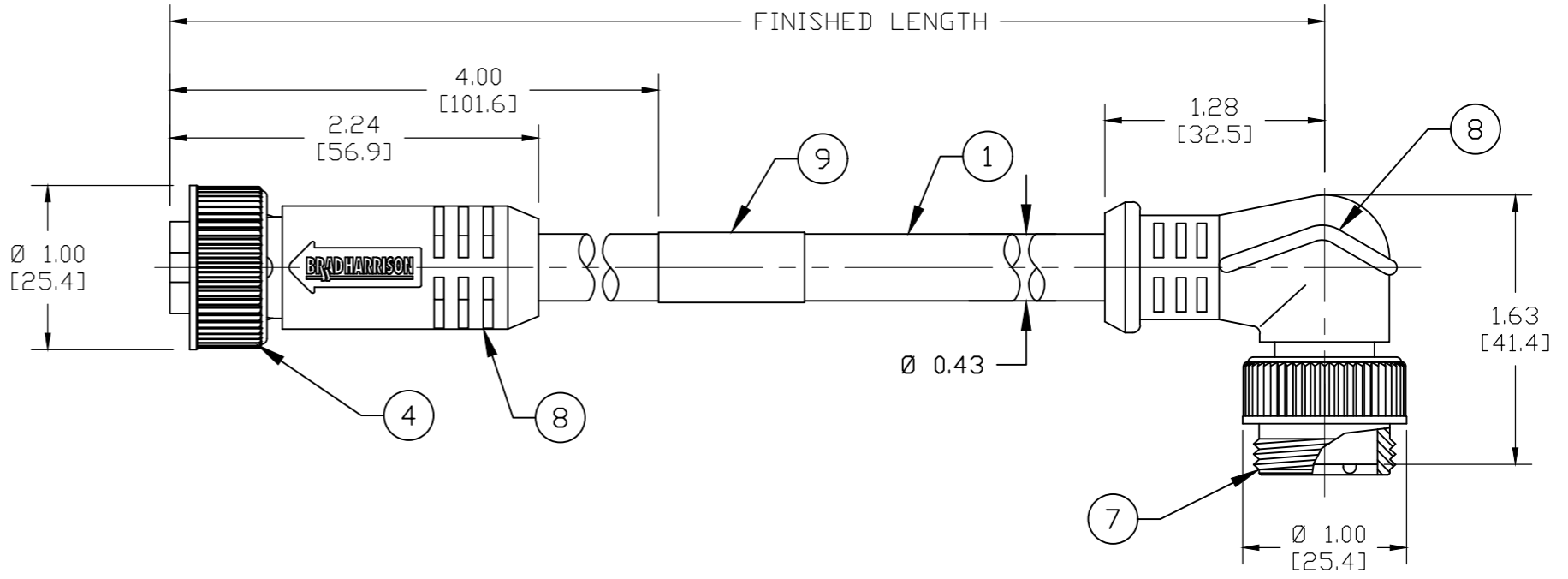
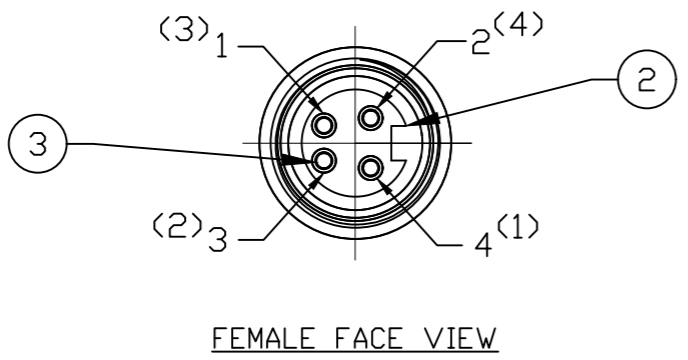


PART NO.	ENGINEERING NO.	FINISHED LENGTH
1300101891	114032K12M005	0.5M
1300100942	114032K12M010	1.0M
1300100943	114032K12M020	2.0M



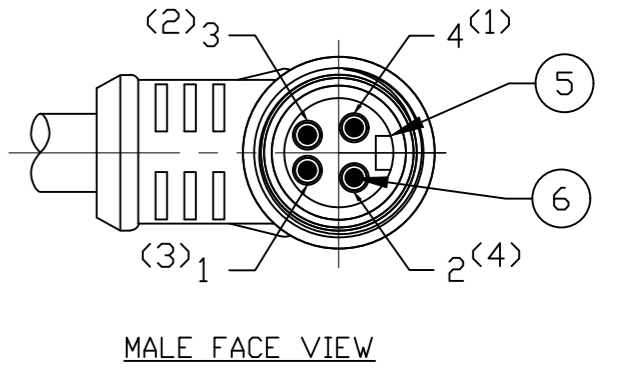
PART NUMBER LEGEND

114032K12M005

FINISHED LENGTH:
M005= 0.5 METER
M010= 1 METER
M100= 10 METER

CENELEC EN 50 044 PINOUT SHOWN
(SAE-J-1738A SHOWN IN PARENTHESIS)

4 (1)	BLACK	4 (1)
3 (2)	BLUE	3 (2)
1 (3)	BROWN	1 (3)
2 (4)	WHITE	2 (4)



- NOTES:
- MATERIAL: SEE TABLE
 - FINISH: SEE TABLE
 - ELECTRICAL:
VOLTAGE: 483V PER IEC 60664
600V PER UL 2238
CURRENT: 10A
 - TEMP RATING: -20° TO +90°C
 - PROTECTION: IP67 (WHEN MATED)
 - COUPLING THREAD: 7/8-16
 - UL CERTIFICATION: UL FILE NO. E152210
 - ALL DIMS ARE FOR REFERENCE UNLESS NOTED OTHERWISE

MECHANICAL CHARACTERISTICS:

TORSIONAL FLEX TEST	20 MILLION CYCLES PER MIL-C-13777G
BEND FLEX TEST	20 MILLION CYCLES PER MIL-C-13777G
WELD SLAG RESISTANCE	WOODHEAD STANDARD S-300

CABLE LENGTH TOLERANCES

<.3M [1FT]: +19mm-0 [+0.75in-0]
.3 - .9M [1 - 3FT]: +44.5mm-0 [+1.75in-0]
.9 - 1.8M [3 - 6FT]: +55.6mm-0 [+2.19in-0]
1.8 - 3.7M [6 - 12FT]: +88.9mm-0 [+3.50in-0]
3.7 - 7.3M [12 - 24FT]: +165.1mm-0 [+6.50in-0]
7.3-14.6M [24 - 48FT]: +317.5mm-0 [+12.50in-0]
14.6 - 30.5M [48-100FT]: +622.3mm-0 [+24.50in-0]
OVER 30M [100FT] +2% OF FINISHED LENGTH

FUNCTIONAL SYMBOLS	THIS DRAWING CONTAINS INFORMATION THAT IS PROPRIETARY TO MOLEX ELECTRONIC TECHNOLOGIES, LLC AND SHOULD NOT BE USED WITHOUT WRITTEN PERMISSION	
$\nabla = 0$ $\nabla = 0$ $\nabla = 0$	DIMENSION UNITS INCH/MM	SCALE NTS
DIVISIONAL SYMBOLS	CURRENT REV DESC: UPDATED AMPERAGE AND DOC BORDER/TEMPLATE	
	GENERAL TOLERANCES (UNLESS SPECIFIED)	
	mm	INCH
	4 PLACES ±----	±----
	3 PLACES ±----	±----
	2 PLACES ±----	±----
	1 PLACE ±----	±----
	0 PLACES ±----	±----
	ANGULAR TOL ± ---- °	
	DRAFT WHERE APPLICABLE MUST REMAIN WITHIN DIMENSIONS	
	THIRD ANGLE PROJECTION	DRAWING
		B-SIZE
	SERIES	130010
	MATERIAL NUMBER	SEE CHART
	CUSTOMER	GENERAL MARKET
	SHEET NUMBER	1 OF 1
	EC NO: 646474	
	DRWN: ALEON01	2020/08/18
	CHK'D: CCHRSTKA	2020/10/19
	APPR: BWOODMAN	2020/10/21
	INITIAL REVISION:	
	DRWN: VOU	2012/01/19
	APPR: JFMURPHY	2012/03/08
	DOCUMENT NUMBER	
	SD-130010-019	
	DOC TYPE	PSD
	DOC PART	001
	REVISION	C
	MINI-CHANGE CORDSET 4P MALE/FEMALE 90/ST #16/4 TPE CABLE	
	PRODUCT CUSTOMER DRAWING	

ITEM	DESCRIPTION	MATERIAL	FINISH
9	WRAP LABEL	VINYL	BLACK/YELLOW
8	OVERMOLD	TPE	YELLOW
7	COUPLING, MALE	ZINC DIE-CAST	BLACK
6	CONTACT PIN	COPPER ALLOY	GOLD PLATED
5	MALE INSERT (A-SIZE)	TPE	YELLOW
4	COUPLING, FEMALE	ZINC DIE-CAST	BLACK
3	CONTACT SOCKET	COPPER ALLOY	GOLD PLATED
2	FEMALE INSERT (A-SIZE)	TPE	YELLOW
1	CABLE, 16/4 TC-ER (HI-FLEX)	TPE JACKET	YELLOW
	ITEM	DESCRIPTION	MATERIAL
		FINISH	