

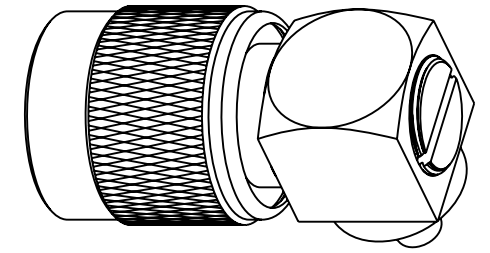
NOTES:

1. MATERIALS AND FINISHES:
 - BODY - BRASS, NICKEL PLATING
 - RING - DELRIN, NATURAL
 - GASKET - SILICONE RUBBER, RED
 - CONTACT - BRASS, GOLD PLATING
 - BARREL - BRASS, GOLD PLATING
 - INSULATOR - PTFE, NATURAL
2. ELECTRICAL:
 - A. IMPEDANCE: 50 OHM
 - B. FREQUENCY RANGE: 0-11 GHZ
 - C. DIELECTRIC WITHSTANDING VOLTAGE: 1500 VRMS, MIN
3. MECHANICAL:
 - A. DURABILITY: 500 CYCLES MIN.
 - B. TEMPERATURE RANGE: -40°C TO +85°C

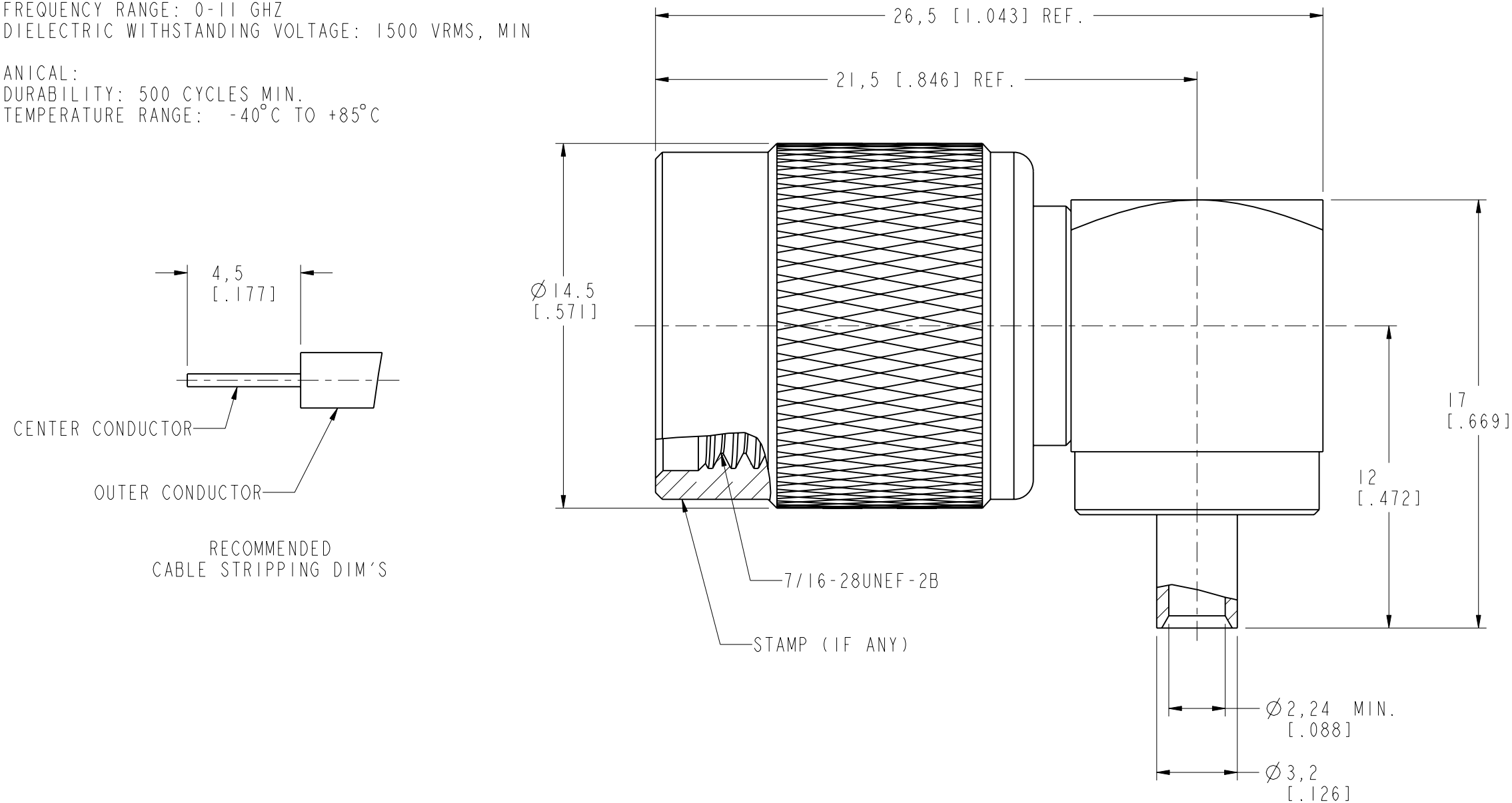
THIRD ANGLE PROJ.

REVISIONS

REV	DESCRIPTION	DATE	ECO	APPR
A	UPDATE DRAWING FORMAT	18-Mar-05	-----	GRS
B	UPDATE DRAWING FORMAT	01-Jul-14	-----	MZ



SCALE 2.000



CUSTOMER OUTLINE DRAWING

ALL OTHER SHEETS ARE FOR INTERNAL USE ONLY

UNLESS OTHERWISE SPECIFIED, DIMENSIONS ARE IN METRIC AND TOLERANCES ARE: <0.5mm ±0.05mm 0.5 - 6mm ±0.1mm 6 - 30mm ±0.2mm 30 - 120mm ±0.3mm ANGLES ±1°	MATERIAL	DRAWN M. ZHANG	DATE 01-Jul-14	TITLE TNC R/A DIRECT SOLDER PLUG (FOR .085", .086" CABLE)	Amphenol Connex
	REFERENCE T1182A1-N/3GT3G-.085-50	ENGINEER A. CHEN	DATE 01-Jul-14		
NOTICE - These drawings, specifications, or other data (1) are, and remain the property of Amphenol corp. (2) must be returned upon request; and (3) are confidential and not to be disclosed to any person other than those to whom they are given by Amphenol Corp. the furnishing of these drawings, specifications, or other data by Amphenol Corp., or to any other person to anyone for any purpose is not to be regarded by implication or otherwise in any manner licensing, granting rights to permitting such holder or any other person to manufacture, use or sell any product, process or design, patented or otherwise, that may in any way be related to or disclosed by said drawings, specifications, or other data.	CONFIGURATION LEVEL:	APPROVED S. HSIEH	DATE 01-Jul-14	SCALE: 5.0:1.0	SHEET 3 OF 3
	FINISH	CAD FILE	DWG SIZE B	REV B	ITEM NO.