

# PART No MATRIX

**E J T E X X X X X X C 3 X**

JUNIOR CONNECTORS  
CONNECTOR TYPE :  
E - ANGLED, 2 WIRES, SINGLE ENDED

CABLE TYPE

CABLE LENGTH [cm]  
050 = 50cm  
300 = 300cm  
10K = 1000cm

HEAD COLOR  
N- BLACK, A-CSA-UL BLACK

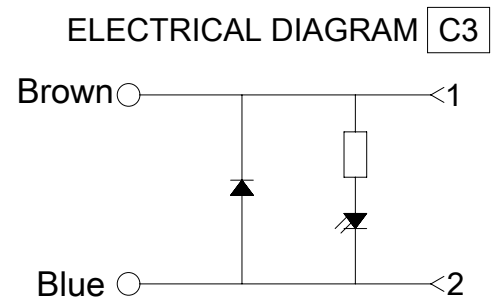
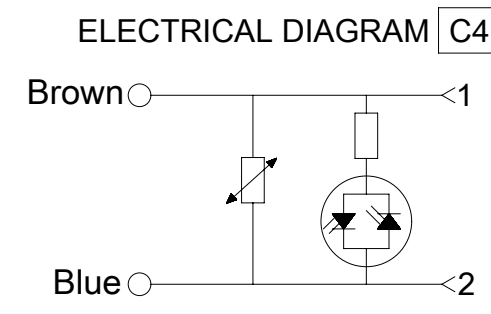
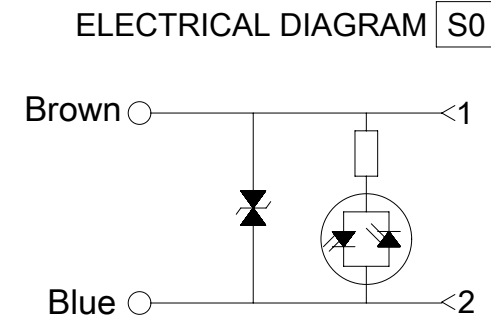
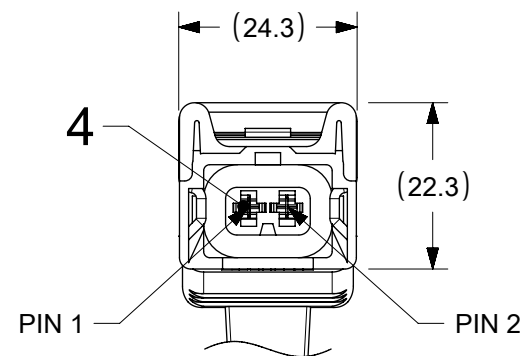
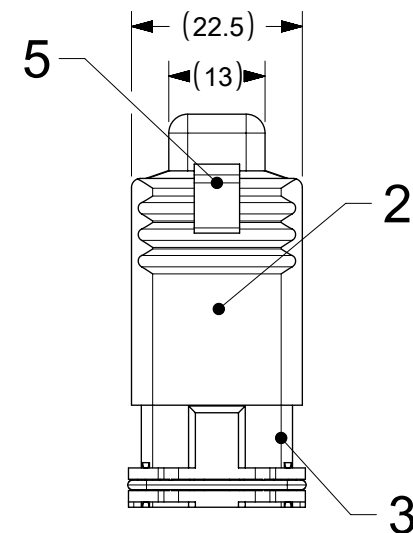
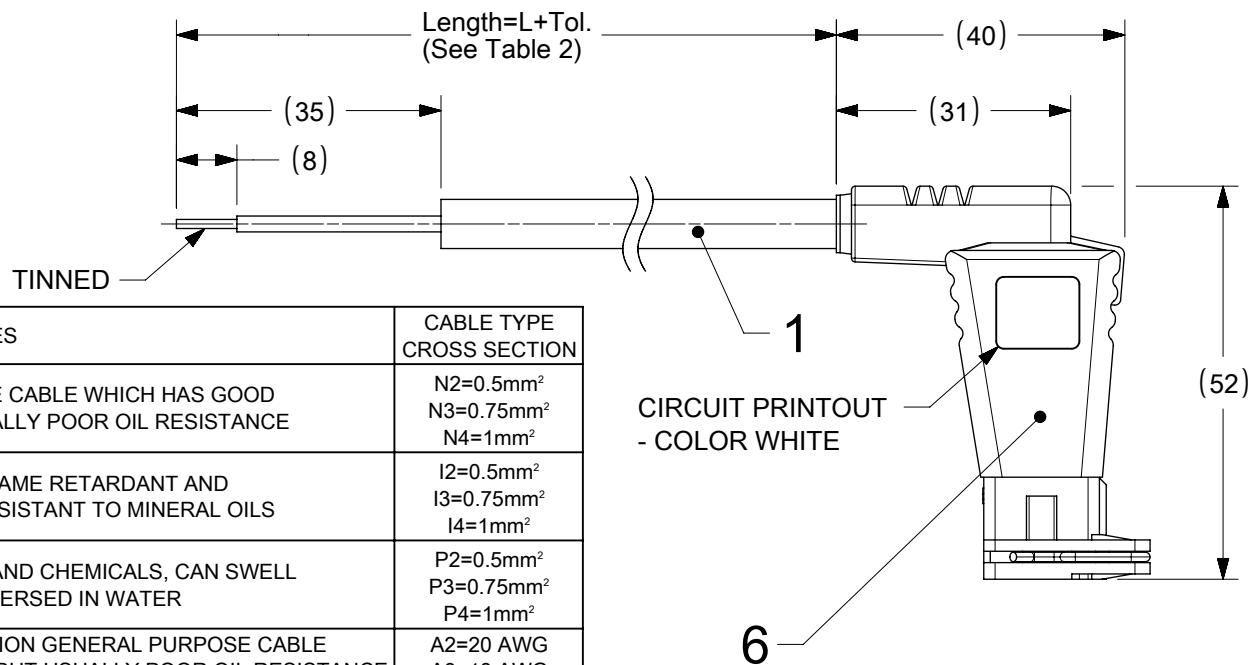
INTERNAL CIRCUIT:  
SEE WIRING CONFIGURATION

VOLTAGE AND LED COLOUR

RED LED	GREEN LED	YELLOW LED
1 = 12V	A = 12V	G = 12V
2 = 24V	B = 24V	H = 24V
3 = 48V	C = 48V	K = 48V
4 = 115V	D = 115V	L = 115V
5 = 230V	E = 230V	M = 230V

## CABLE LIST

CODE	CABLE TYPE	FEATURES	CABLE TYPE CROSS SECTION
N	PVC	APPLICATION GENERAL PURPOSE CABLE WHICH HAS GOOD RESISTANCE TO WATER, BUT USUALLY POOR OIL RESISTANCE	N2=0.5mm <sup>2</sup> N3=0.75mm <sup>2</sup> N4=1mm <sup>2</sup>
I	CEI	APPROVED TO IEC 332-2A, FLAME RETARDANT AND SELF EXTINGUISHING LIMITED RESISTANT TO MINERAL OILS	I2=0.5mm <sup>2</sup> I3=0.75mm <sup>2</sup> I4=1mm <sup>2</sup>
P	PUR	OFFER GOOD RESISTANCE TO OIL AND CHEMICALS, CAN SWELL WHEN CONSTANTLY IMMERSED IN WATER	P2=0.5mm <sup>2</sup> P3=0.75mm <sup>2</sup> P4=1mm <sup>2</sup>
A	PVC CSA-UL	APPROVED TO CSA-UL 2661, APPLICATION GENERAL PURPOSE CABLE WHICH HAS GOOD RESISTANCE TO WATER, BUT USUALLY POOR OIL RESISTANCE	A2=20 AWG A3=18 AWG
B	PUR CSA-UL	APPROVED TO CSA-UL 20668, VERY GOOD RESISTANCE TO OIL AND CHEMICALS	B2=20 AWG B3=18 AWG



## TABLE OF CIRCUIT CHARACTERISTICS

MOLEX P/N	ENG No.	CIRCUIT	RATED VOLTAGE	LED COLOR	VOLTAGE PEAK PROTECTION (Bidirectional)*		
					BREAKDOWN VOLTAGE (typ.) @ 25°C	MAXIMUM CLAMPING VOLTAGE	MAXIMUM PEAK PULSE CURRENT @ 25°C
1210560085	EJTEP3N500S0H	S0	24V AC/DC	YELLOW	75V	100V	4A
1210560222	EJTEP3N300S0H						

\* PROTECTION FROM VOLTAGE TRANSIENTS ACCORDING 10/1000µs WAVEFORM TEST (T<sub>a</sub> = 25°C)  
PARAMETERS ONLY VALID FOR LISTED PART NUMBERS(P/N)  
OTHER P/NS WITH SAME CIRCUIT AND VOLTAGE RATING COULD HAVE A DIFFERENT CHARACTERISTIC

## TABLE OF LENGTH TOLERANCES [mm]

Over	Up to and Including	Tolerance
0	1000	±20
1000	3000	±30
3000	5000	±40
5000	10000	±50
10000	15000	±100
15000	20000	±150
20000		±L/100

## BILL OF MATERIALS

ITEM	QTY.	DESCRIPTION	MATERIAL	FINISH/COLOR
6	-	ELECTRONIC COMPONENTS		
5	1	LENS	-	TRANSPARENT
4	2	CONTACT	PH. BRONZE	
3	1	HOUSING JUNIOR	PA6.6 GVF 30	BLACK
2	-	MOULDING MATERIAL	PP	BLACK
1	-	CABLE	SEE TABLE 1	SEE TABLE 1
DOCUMENT STATUS		P1	RELEASE DATE	2020/01/13 15:09:39

## PART LIST

MOLEX P/N	Eng No.	L(mm)
1210560044	EJTEP3N150C4H	1500
1210560050	EJTEP3N300C4H	3000
1210560051	EJTEP3N500C4H	5000
1210560052	EJTEB3N150C3H	1500
1210560096	EJTEB3N150C42	1500

SYMBOLS		THIS DRAWING CONTAINS INFORMATION THAT IS PROPRIETARY TO MOLEX ELECTRONIC TECHNOLOGIES, LLC AND SHOULD NOT BE USED WITHOUT WRITTEN PERMISSION	
▽ = 0	mm	SCALE	1:1
▽ = 0	GENERAL TOLERANCES (UNLESS SPECIFIED)		
▽ = 0	ANGULAR TOL ± 1.0°		
▽ = 0	4 PLACES	±	
▽ = 0	3 PLACES	±	
▽ = 0	2 PLACES	± 0.05	
▽ = 0	1 PLACE	± 0.3	
▽ = 0	0 PLACES	± 0.5	
■ = 0	DRAFT WHERE APPLICABLE MUST REMAIN WITHIN DIMENSIONS		
▽ = 0	THIRD ANGLE PROJECTION		
CURRENT REV DESC:		DRAWING	
EC NO: 630391		SERIES	
DRWN: SSM		B-SIZE	
CHK'D: RSILLER		121056	
APPR: RSILLER		DATE	
2019/06/12		2014/01/27	
2020/01/13		2014/01/30	
2020/01/13		MATERIAL NUMBER	
INITIAL REVISION:		CUSTOMER	
DRWN: JMARSZALEK		SEE PART LIST	
APPR: MIWASIECZKO		GENERAL MARKET	
DOCUMENT NUMBER		SHEET NUMBER	
SD-121056-003		1 OF 1	
DOC TYPE		REVISION	
PSD		A1	

**molex**

JUNIOR TIMER CONNECTORS  
EJTEXXXXXXX

PRODUCT CUSTOMER DRAWING