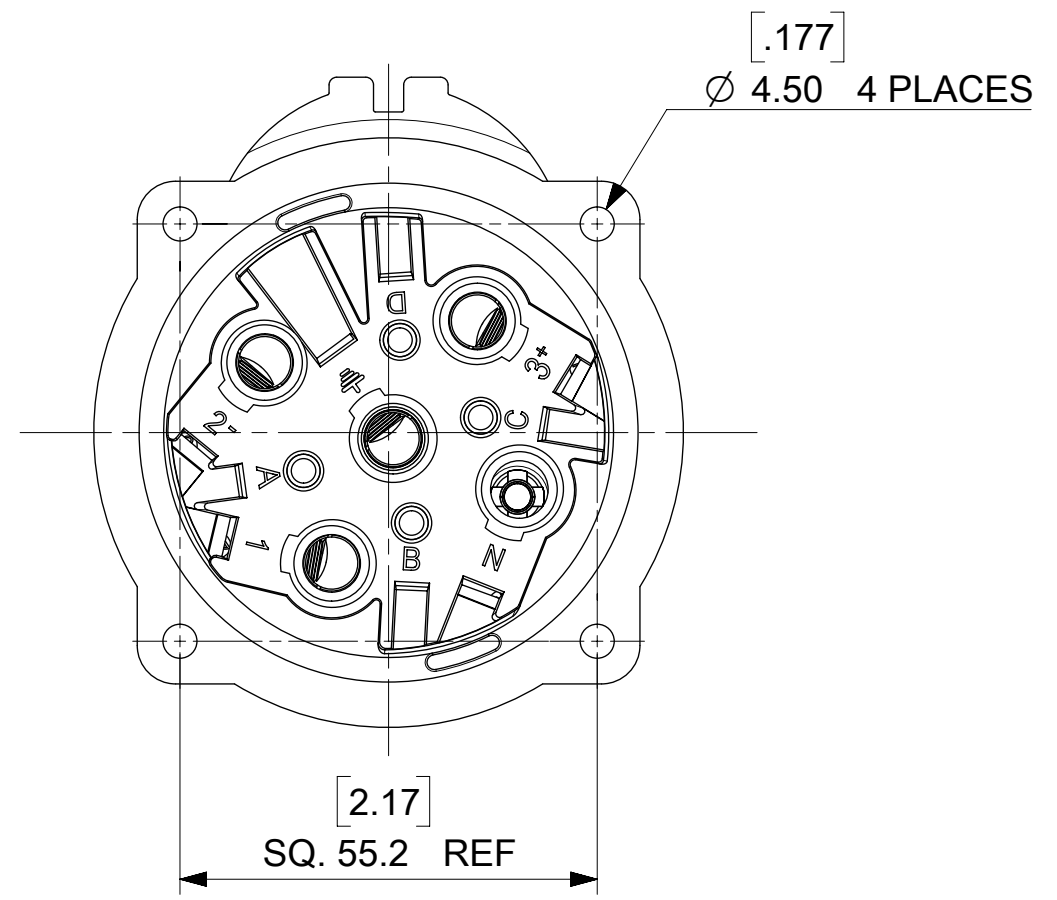
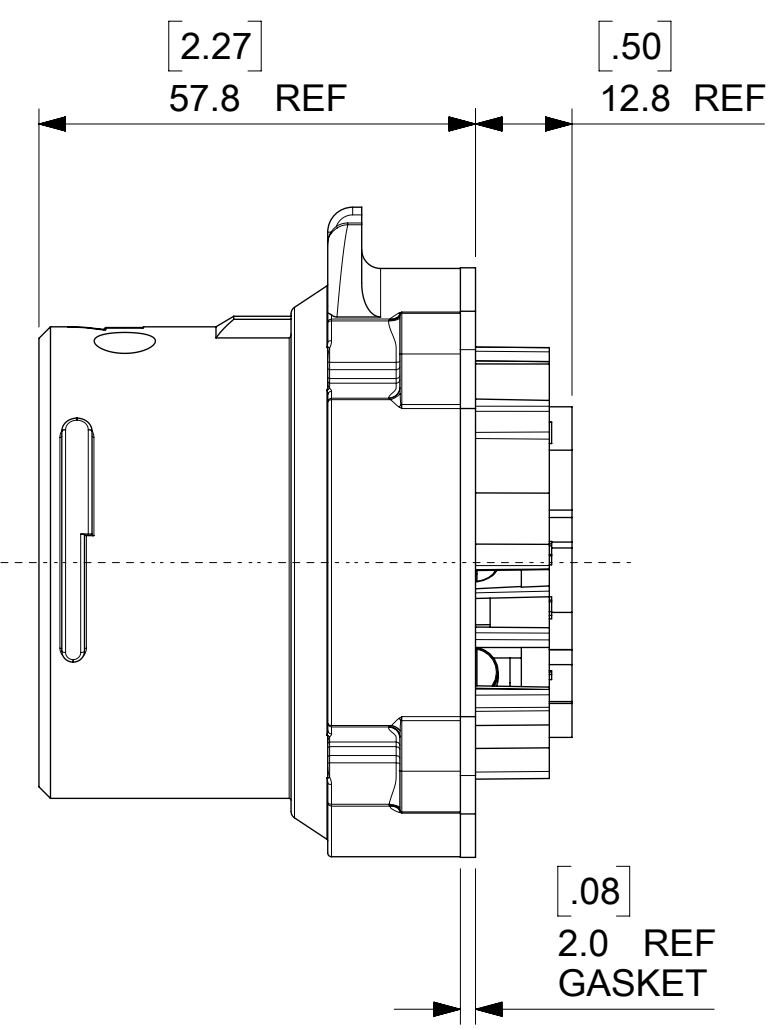
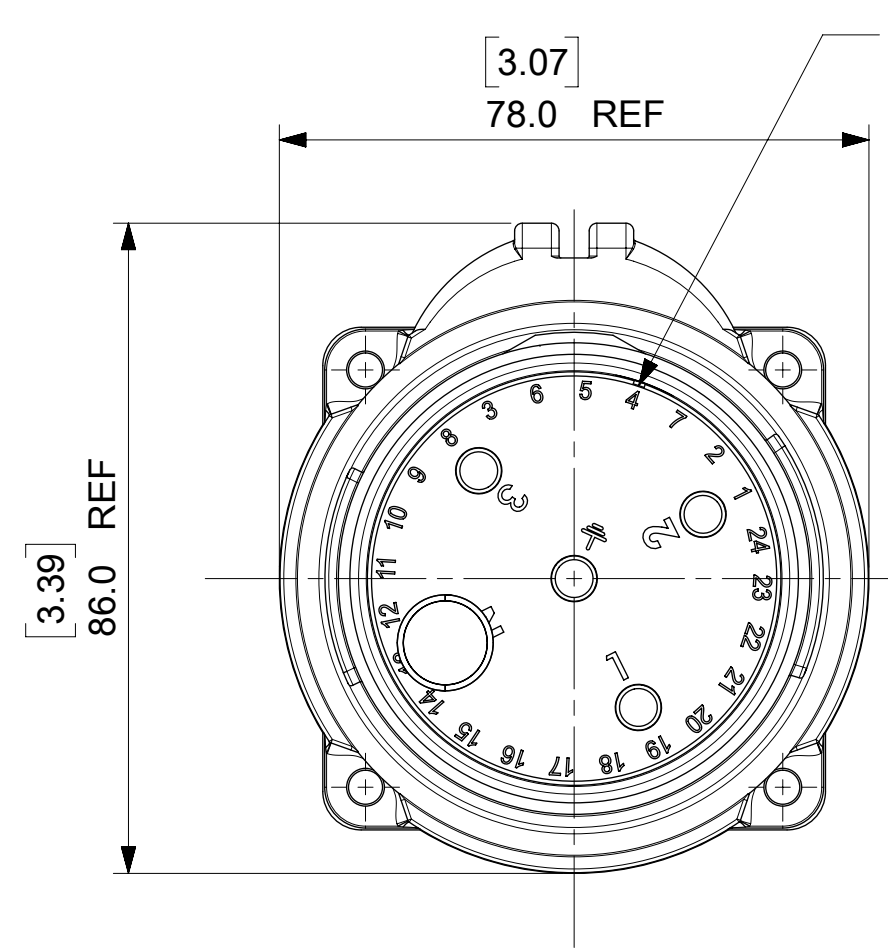
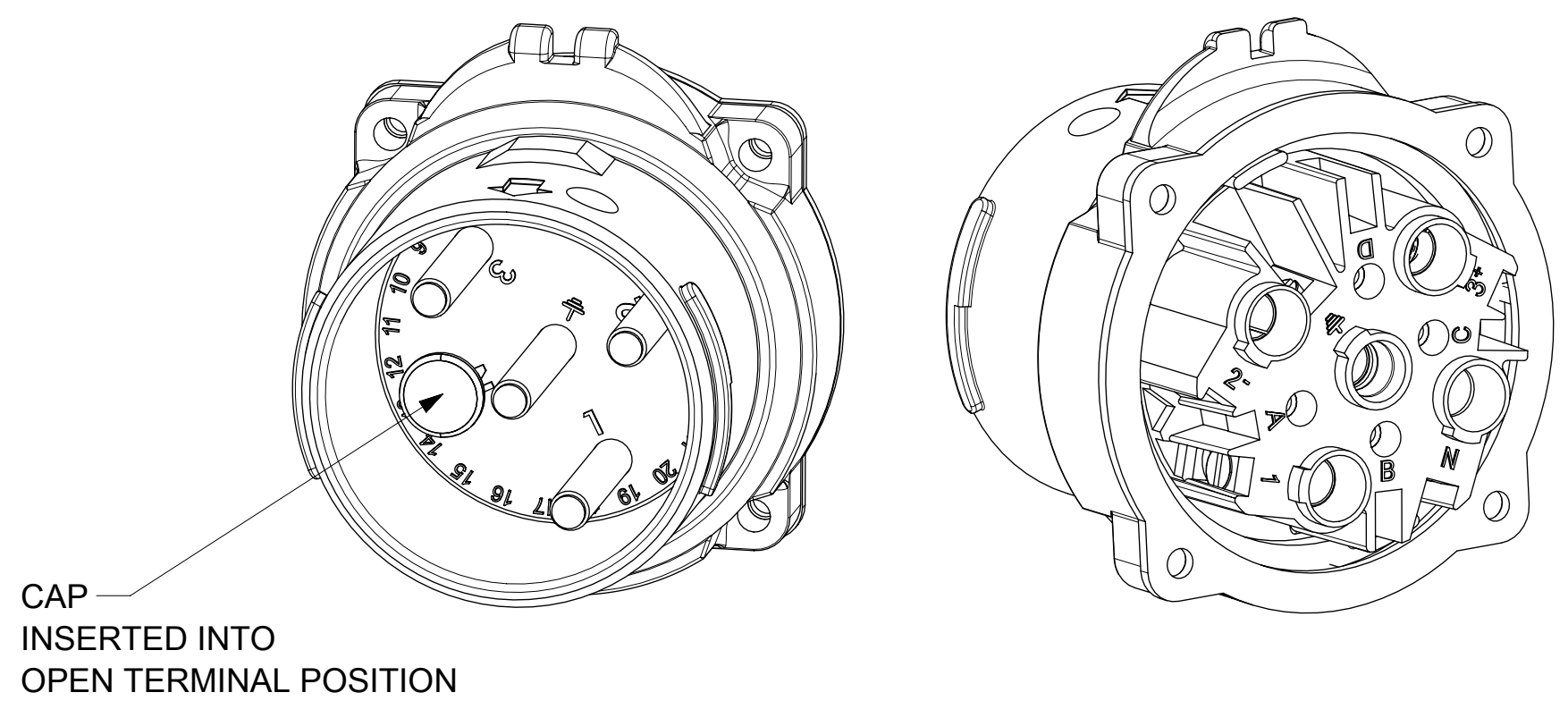
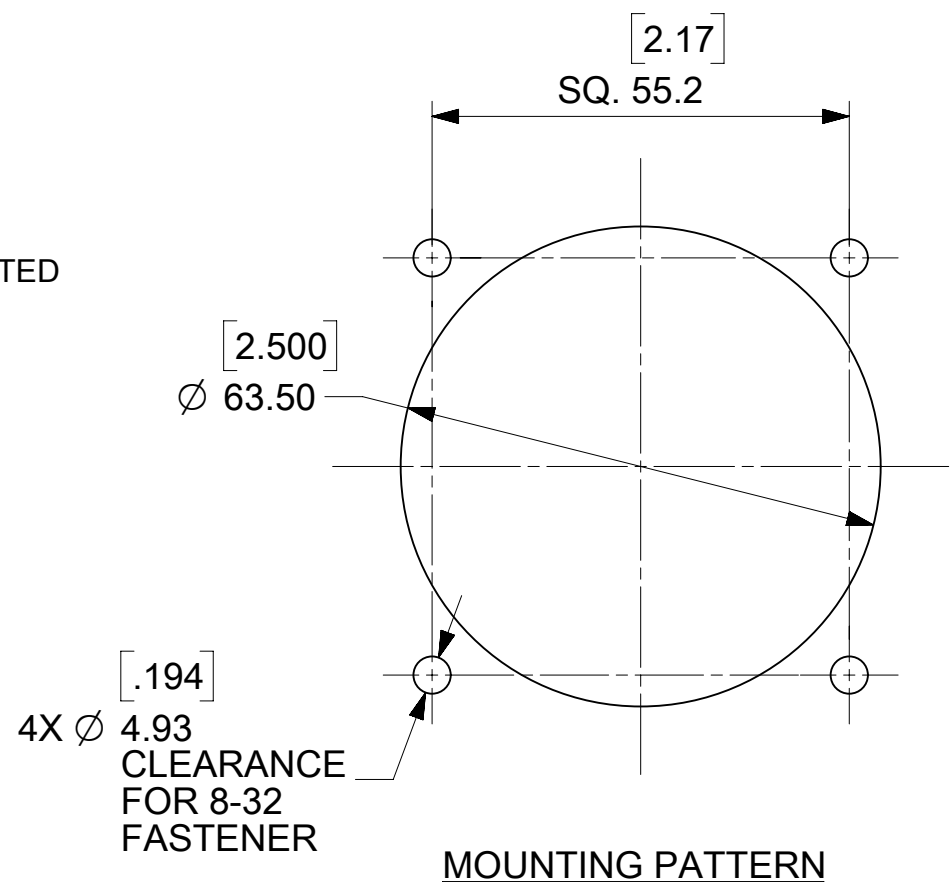


| MATERIAL NUMBER | ENGINEERING NUMBER | DESCRIPTION | INSULATOR KEYING POSITION | HORSEPOWER RATING |
|-----------------|--------------------|-----------------------------|---------------------------|-------------------|
| 1122171001 | ARC60MA01 | ARC 60A M 125VAC 1P+N+G | 7 | 2 HP |
| 1122171002 | ARC60MB02 | ARC 60A M 250VAC 2P+G | | 3 HP |
| 1122171003 | ARC60MB03 | ARC 60A M 250VAC 3P+G | | 7.5 HP |
| 1122171004 | ARC60MAB04 | ARC 60A M 125/250VAC 2P+N+G | 16 | NA |
| 1122171005 | ARC60MC02 | ARC 60A M 208VAC 2P+G | | NA |
| 1122171006 | ARC60MC03 | ARC 60A M 208VAC 3P+G | | 7.5 HP |
| 1122171007 | ARC60MAC05 | ARC 60A M 120/208VAC 3P+N+G | 4 | NA |
| 1122171008 | ARC60MD01 | ARC 60A M 277VAC 1P+N+G | | NA |
| 1122171009 | ARC60ME02 | ARC 60A M 480VAC 2P+G | | NA |
| 1122171010 | ARC60ME03 | ARC 60A M 480VAC 3P+G | 14 | 20 HP |
| 1122171011 | ARC60MDE05 | ARC 60A M 277/480VAC 3P+N+G | | NA |
| 1122171012 | ARC60MF02 | ARC 60A M 600VAC 2P+G | | NA |
| 1122171013 | ARC60MF03 | ARC 60A M 600VAC 3P+G | 14 | 20 HP |
| 1122171014 | ARC60MGF05 | ARC 60A M 347/600VAC 3P+N+G | | NA |



NOTES:

- MATERIALS:**
HOUSINGS AND INSULATORS: GLASS FILLED PBT
CONTACTS: COPPER ALLOY WITH A SILVER NICKEL TIP, SILVER PLATED
MOUNTING GASKET: SILICONE
- RATINGS:**
CURRENT: 60 AMPS
VOLTAGE AND HORSEPOWER: SEE TABLE
AMBIENT OPERATING TEMPERATURE: -25°C (-13°F) TO 60°C (140°F)
(WITH MAX. 30°C RISE ABOVE AMBIENT)
ENVIRONMENTAL: NEMA TYPE 4X & IP69K
WIRING CAPACITY: 10 AWG MIN. TO 4 AWG MAX.
TORQUE TERMINAL SCREWS TO 1.7 Nm (15 in-lbs)
AGENCY: UL LISTING PENDING
SCREW RATED INLET/PLUG
BRANCH CIRCUIT DISCONNECT SWITCH
MOTOR CIRCUIT DISCONNECT SWITCH IF HP RATED



LASER MARKING FOR REF ONLY
REFER TO TABLE FOR PART NUMBER INFORMATION

ELECTRICAL & ENVIRONMENTAL RATINGS: **Woodhead® ARC60ME03** ENGINEERING NO. **ARC60ME03 SHOWN**
60A, 480VAC, 3Φ
20 HP, TYPE 4X, IP69K

WORK ORDER NO. SWOXXXXXXXXX DATE OF MANUFACTURER DOM: MM/DD/YY

| | | | | | | | | | |
|---|---|------------------------|--------|--|--|----------------|--|---|--|
| THIS DRAWING CONTAINS INFORMATION THAT IS PROPRIETARY TO MOLEX ELECTRONIC TECHNOLOGIES, LLC AND SHOULD NOT BE USED WITHOUT WRITTEN PERMISSION | | | | | | | | | |
| DIMENSION UNITS: MM/INCH | | SCALE: 1:1 | | CURRENT REV DESC: GENERAL MARKET RELEASE | | | | | |
| GENERAL TOLERANCES (UNLESS SPECIFIED) | | | | molex 60A ARC ARREST INLET / PLUG PRODUCT CUSTOMER DRAWING DOCUMENT NUMBER: 1122171010 DOC TYPE: PSD DOC PART: 000 REVISION: B2 MATERIAL NUMBER: SEE TABLE CUSTOMER: GENERAL MARKET SHEET NUMBER: 1 OF 1 | | | | | |
| 4 PLACES | ± | | ± | | | | | | |
| 3 PLACES | ± | 0.01 | ± | | | | | | |
| 2 PLACES | ± | 0.02 | ± 0.25 | | | | | | |
| 1 PLACE | ± | 0.04 | ± 0.5 | | | | | | |
| 0 PLACES | ± | | ± 1.0 | EC NO: 674097 | | 2021/08/17 | | 2021/08/17 | |
| ANGULAR TOL ± 3.0° | | THIRD ANGLE PROJECTION | | DRAWING: C-SIZE | | SERIES: 112217 | | INITIAL REVISION: DRWN: VBSUTHKARP 2018/02/21 | |
| DRAFT WHERE APPLICABLE MUST REMAIN WITHIN DIMENSIONS | | | | APPR: JFMURPHY 2020/11/17 | | | | | |