

6

5

4

3

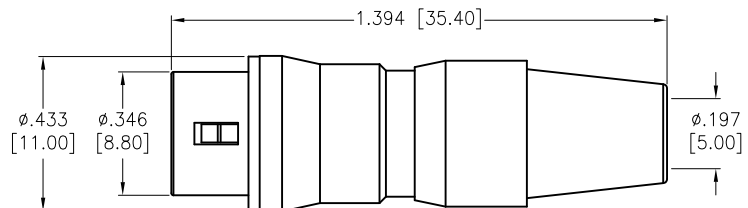
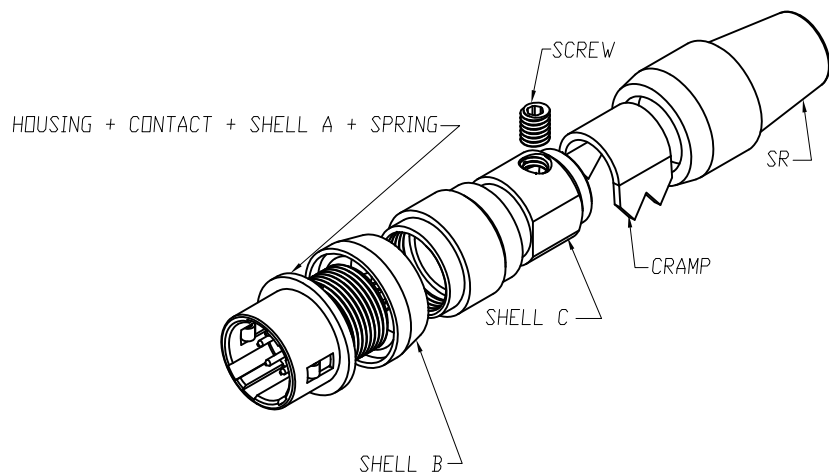
2

1

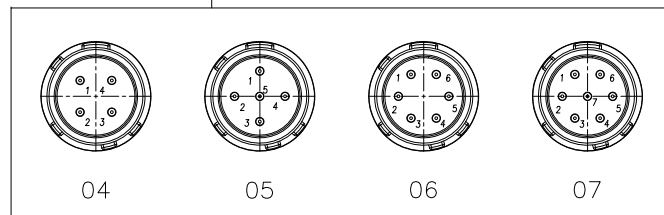
APPROVED: _____

DATE: _____ TITLE: _____

Rev	AWO #	Description	Date	Appr
-		RELEASED	11/23/18	



SD-PNNXX-MMLAL-S00-000



SPECIFICATIONS:

- Material:
- Housing: Nylon 46, rated UL 94V-0, Color: Black
- Contacts: Brass, Gold Flash plated
- Shell A: Zinc Alloy, Nickel plated
- Shell B: Brass, Nickel plated
- Shell C: Brass, Nickel plated
- Screw: Alloy Steel, Nickel plated
- Clamp: Brass
- SR: NBR, Color: Black
- Environmental:
- Lead free, RoHS compliant



UNLESS OTHERWISE SPECIFIED ALL DIMENSIONS ARE INCHES [MM] TOLERANCES: EXCEPT AS NOTED INCHES HOLES .X ± .10 Ø.X ± .10 .XX ± .020 Ø.XX ± .015 .XXX ± .015 Ø.XXX ± .010		ADAM TECH INTERCONNECTS		909 Rahway Avenue, Union, NJ 07083 Phone: 908-687-5000 Fax: 908-687-5710	
APPROVALS		DATE		TITLE	
DRAWN	HR	11/23/18		WATERPROOF CONNECTOR, MALE DIN, ASSEMBLY, SHELL LOCK TYPE, SOLDER	
CHECKED	AC	11/23/18		SIZE	PART NO.
APPROVED				X	SD-PNNXX-MMLAL-S00-000
REF: S00200T		SCALE: NTS	SHEET 1 OF 1		

6

5

4

3

2

1