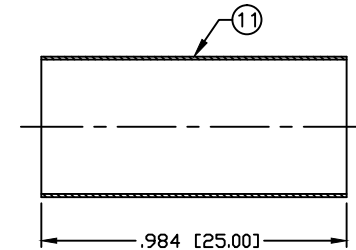
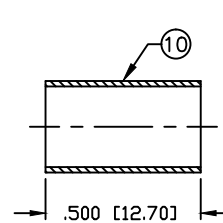
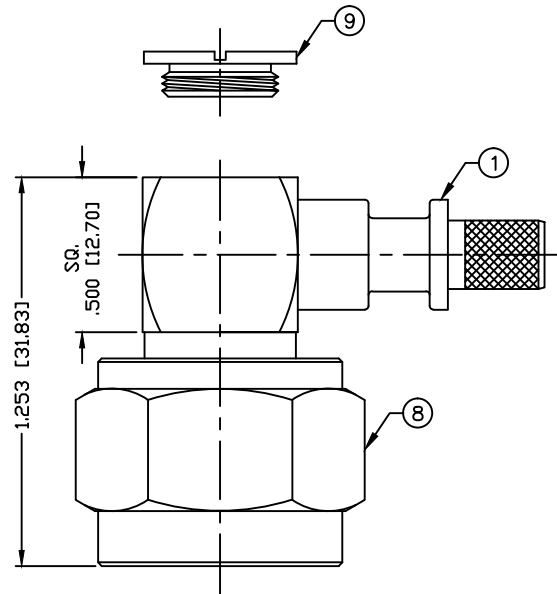


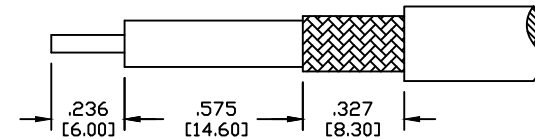
PART NO.

**RFN-1009-9X-WB**

REV	DESCRIPTION	DWN	DATE	APPROVED
-	ENGINEERING RELEASE	CZS	04/04/19	JDMc



RECOMMENDED CRIMP DIE: .255'



RECOMMENDED STRIPPING DIMENSIONS

NOTE: ATTACH CABLE TO CONNECTOR BY  
SOLDERING THE CABLE INNER CONDUCTOR  
TO THE PIN SLOT INSIDE THE CONNECTOR

**SPECIFICATIONS:**

IMPEDANCE: 50 Ohms  
 FREQUENCY RANGE: 0-11 GHz  
 INSERTION LOSS: .06 dB Max.  $X \sqrt{f \text{GHz}}$   
 WORKING VOLTAGE: 1k V rms @ sea level  
 TEMPERATURE RANGE: -65°C TO 85°C  
 INSULATION RESISTANCE: 5k M Ohms min.  
 FOR RG-8/X, BELDEN 9258, MAXRAD M8X-100 &  
 M8X-1000, MICRO 8/U, REMEE 1600, SAXTON 8315,  
 TIMES LMR-240 & LMR-240 ULTRAFLEX CABLE

#	DESCRIPTION	QTY	MATERIAL	FINISH
11	TUBING	1	HEAT SHRINK	---
10	FERRULE	1	BRASS	WHITE BRONZE
9	BACK NUT	1	BRASS	WHITE BRONZE
8	SHELL	1	BRASS	WHITE BRONZE
7	GASKET	1	SI RUBBER	---
6	RETAINING RING	1	BRASS	WHITE BRONZE
5	GROUND RING	1	BRASS	WHITE BRONZE
4	INSULATOR	1	PTFE	---
3	PIN	1	BRASS	GOLD
2	BODY	1	BRASS	WHITE BRONZE
1	BODY	1	BRASS	WHITE BRONZE

CUSTOMER OUTLINE DRAWING	
ALL DIMENSIONS ARE REFERENCE ONLY	
UNLESS OTHERWISE SPECIFIED: DIMENSIONS ARE IN INCHES AND [MILLIMETERS]	
DRAWN C. ZUNIGA	04/04/19
CHECKED	
ORJ DRAWN C. ZUNIGA	04/04/19

**RoHS  
COMPLIANT**

PROPRIETARY AND CONFIDENTIAL  
 THIS DRAWING CONTAINS  
 INFORMATION PROPRIETARY TO  
 RF INDUSTRIES. ANY  
 UNAUTHORIZED USE OF THIS  
 DRAWING IS EXPRESSLY  
 PROHIBITED WITHOUT WRITTEN  
 PERMISSION FROM RF  
 INDUSTRIES. ANY VIOLATION IS  
 PUNISHABLE UNDER U.S.  
 COPYRIGHT LAWS.

**RFconnectors**  
 DIVISION OF RF INDUSTRIES, LTD. 7610 MIRAMAR RD.  
 SAN DIEGO, CA 92126  
 (858) 549-6340  
 (858) 549-6345 FAX

**N PLUG, CRIMP  
RIGHT ANGLE**

SIZE	CABLE GROUP	DWG NO.	REV
A	X	<b>RFN-1009-9X-WB</b>	---
SCALE: NTS	ENGINEERING ID: 000000	SHEET 1 OF 1	