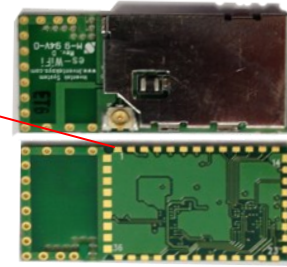


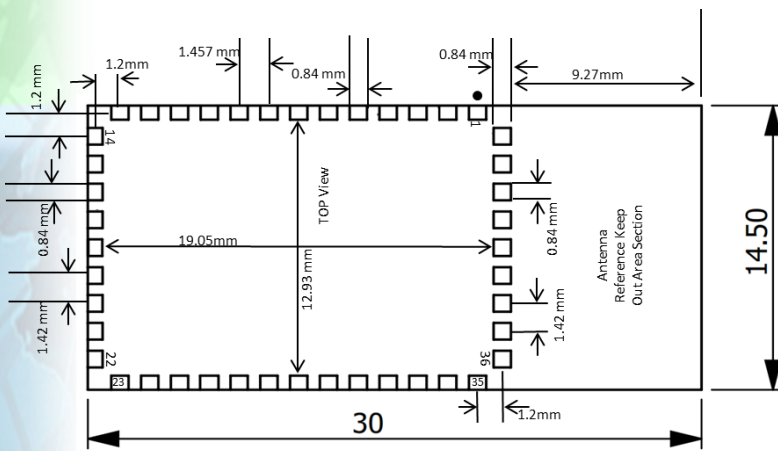
ISM43362-M3G-L44-E/U

eS-WiFi 44 LGA Pin-out Pattern and Mechanical

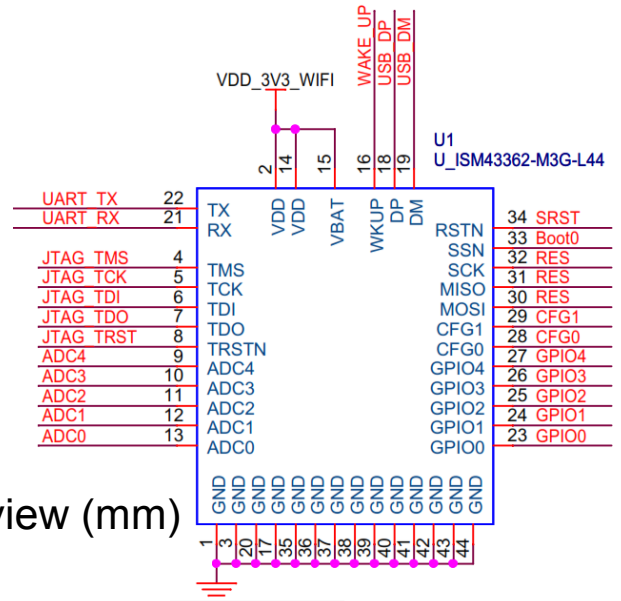
Pin 1



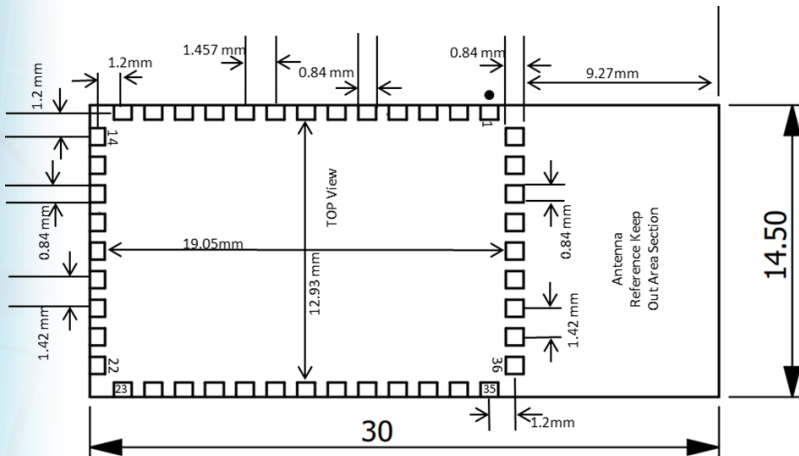
Module's dimensions top view (mm)



The Inventek eS-WiFi modules are designed with a pin compatible footprint.



Module's PCB recommended footprint top view (mm)



Note: Use pins 9-13 for SPI

- ADC4 /SPI_MOSI
- ADC3 /SPI_MISO
- ADC 2 /SPI_SCK
- ADC 1 /SPI_NSS
- ADC 0 / DATARDY

Model Number:
ISM43362-M3x-L44-U/E

Contact
Inventek Systems
2 Republic Road
Billerica Ma 01862
978-667-1962

E-mail
Sales@Inventeksys.com
Engineering@Inventeksys.com
www.Inventeksys.com