



### Main

Range of Product	Harmony GTUX
Product or Component Type	EXtreme touchscreen panel
Terminal type	Touchscreen display

### Complementary

Pixel resolution	1366 x 768
Touchscreen resolution	1024 x 1024
[Us] rated supply voltage	12...24 V DC power supply
Supply voltage limits	10.8...28.8 V
Power Consumption in W	12.5 W
Display size	15.6 inch
Aspect ratio	4:3
Display type	Colour TFT LCD
Display Resolution	1366 x 768 pixels FWXGA
Display colour	262144 colors
Luminance	92.90 fc (1000 cd/m <sup>2</sup> )
Backlight lifespan	50000 hours
Touch panel	Single touch analogue resistive
Type of Installation	Outdoor
Type of cooling	Natural convection
Inrush current	30 A
Environmental characteristic	Corrosive gas free UV resistant
Cut-out dimensions	394 (+ 1/- 0) x 250 (+ 1/- 0) mm
Width	16.06 in (408 mm)
Height	10.39 in (264 mm)
Depth	2.68 in (68 mm)
Net Weight	10.58 lb(US) (4.8 kg)

The information provided in this documentation contains general descriptions and/or technical characteristics of the performance of the products contained herein. This documentation is not intended as a substitute for and is not to be used for determining suitability or reliability of these products for specific user applications. It is the duty of any such user or integrator to perform the appropriate and complete risk analysis, evaluation and testing of the products with respect to the relevant specific application or use thereof. Neither Schneider Electric Industries SAS nor any of its affiliates or subsidiaries shall be responsible or liable for misuse of the information contained herein.

## Environment

IP degree of protection	IP66f IP67f Front panel Type 4X
Standards	UL 508 ANSI/ISA 12-12-01 Class I division 2 CSA C22.2 No 213 CSA C22.2 No 142 IEC 61132-2
Product Certifications	KC CE RCM cULus
Ambient air temperature for operation	-4...140 °F (-20...60 °C) EN 61131-2
Ambient air temperature for storage	-4...140 °F (-20...60 °C)
Pollution degree	2
Relative Humidity	10...90 % non-condensing
Operating altitude	6561.68 ft (2000 m)
Vibration resistance	7 mm constant amplitude 5...9 Hz) EN/IEC 61131-2 9.8 m/s <sup>2</sup> 9...150 Hz) EN/IEC 61131-2
Shock resistance	147 m/s <sup>2</sup> EN/IEC 61131-2
Electromagnetic compatibility	Electrostatic discharge immunity testlevel 3 EN/IEC 61000-4-2
Environmental characteristic	Corrosive gas free UV resistant

## Ordering and shipping details

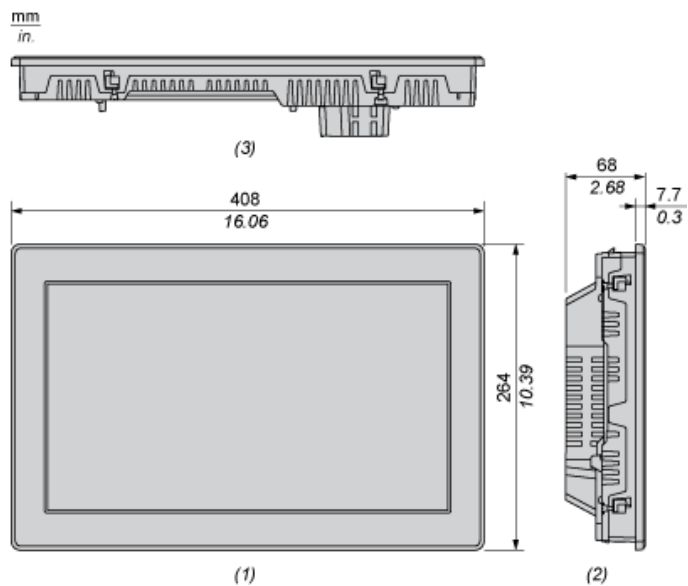
Category	22567 - MAGELIS HMI GTU
Discount Schedule	MC2
GTIN	3606489747961
Nbr. of units in pkg.	1
Package weight(Lbs)	14.64 lb(US) (6.642 kg)
Returnability	Yes
Country of origin	CN

## Packing Units

Unit Type of Package 1	PCE
Package 1 Height	17.52 in (44.5 cm)
Package 1 width	7.28 in (18.5 cm)
Package 1 Length	21.26 in (54 cm)
Unit Type of Package 2	P12
Number of Units in Package 2	16
Package 2 Weight	266.76 lb(US) (121 kg)
Package 2 Height	41.34 in (105 cm)
Package 2 width	31.50 in (80 cm)
Package 2 Length	47.24 in (120 cm)

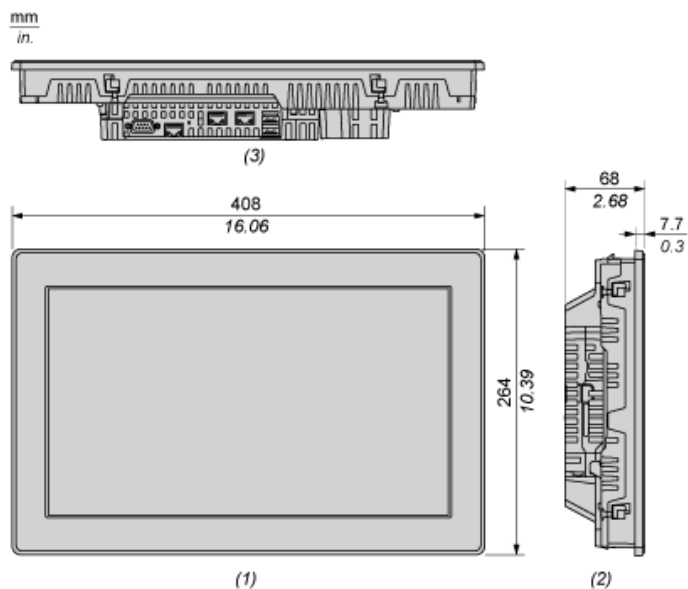
## External Dimensions

### Display Unit



- 1 : Front
- 2 : Left
- 3 : Bottom

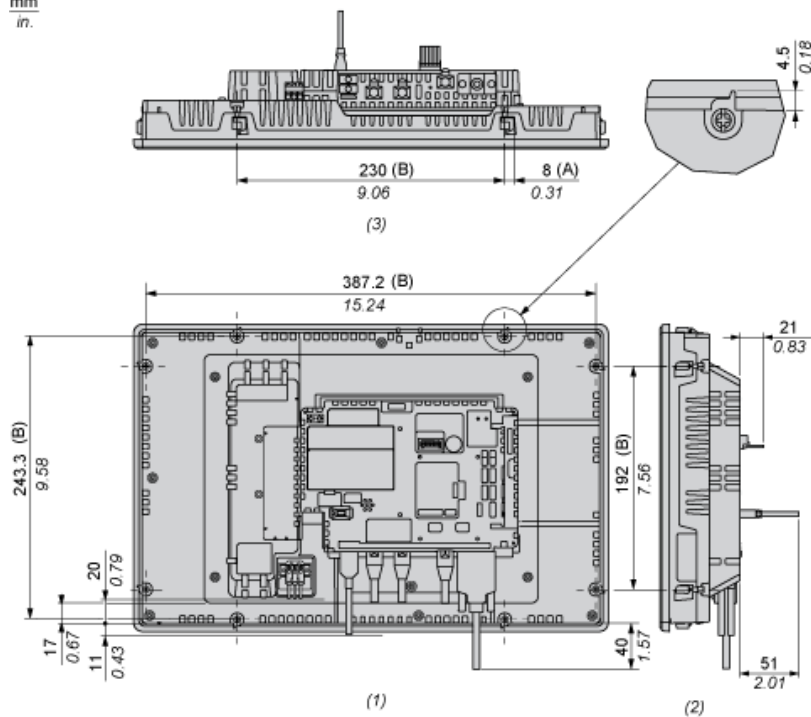
### Display Unit with Box Module



- 1 : Front
- 2 : Left
- 3 : Bottom

## Dimensions with Cables

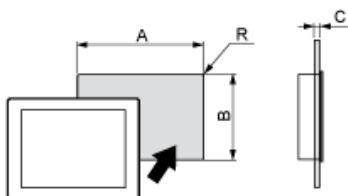
mm  
in.



- (A) : Rotation area of the fastener  
 (B) : Pitch of the enter of installation fastener screws  
 1 : Rear  
 2 : Right  
 3 : Bottom

Mounting and Clearance

Panel Cut Dimensions



Dimensions in mm

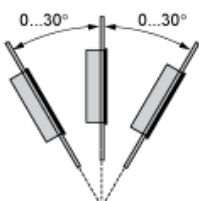
A	B	C	R
394 (+1/-0)	250 (+1/-0)	1.6...5	3 max.

Dimensions in in.

A	B	C	R
15.51 (+0.04/-0)	9.84 (+0.04/-0)	0.06...0.2	0.12 max.

Installation Requirements

Mounting Angle



When installing this product in a slanted position, the product face should not incline more that 30°.

Clearance

