



ET-2242

Ethernet I/O Module with 16-ch Open Collector DO

Features

- Built-in Web Server
- Support Modbus TCP/UDP Protocols
- Powerful 32-bit MCU Handles Efficient Network Traffic
- 2-port Ethernet Switch (LAN Bypass) for Daisy-Chain Wiring
- Dual Watchdog
- I/O Pair Connection (Push and Polling)
- Easy Firmware Update via Ethernet
- LED Display to Indicate the I/O status
- 16 Open Collector Digital Output channels
- Wide Operating Temperature Range: -25 ~ +75°C



Introduction

The ET-2242 provides 16 Digital Output channels, each of which features photo couple isolation. The ET-2242 supports sink type output with short circuit protection and each channel can drive 650 mA load. There are configurable power-on and safe values for digital output. With 2 Ethernet ports, the ET-2242 allows daisy chain connection which permits the flexibility in locating devices, eases installation and lowers infrastructure costs. It features 8 kV ESD protection, 4 kV EFT protection, 3 kV surge and 3000 VDC I/O isolation to enrich the noise protection ability for industrial environment.

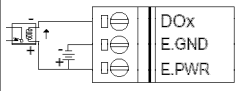
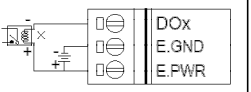


System Specifications

System	
CPU	32-bit ARM
Communication	
Ethernet Port	2 x RJ-45, 10/100 Base-TX, Switch Ports
Protocol	Modbus TCP, Modbus UDP
Security	Password and IP Filter
I/O Pair Connection	Yes (Push, Polling)
Dual Watchdog	Yes, Module, Communication (Configurable)
LAN Bypass	Yes
LED Indicators	
System Running	Yes
Ethernet Link/Act	Yes
DI/DO status	Yes
2-Way Isolation	
Ethernet	1500 Vdc
I/O	3000 Vdc
EMS Protection	
ESD (IEC 61000-4-2)	±8 kV Contact for Each Terminal and ±16 kV Air for Random Point
EFT (IEC 61000-4-4)	±4 kV for Power Line
Surge (IEC 61000-4-5)	±3 kV for Power Line
Power	
Reverse Polarity Protection	Yes
Powered from Terminal Block	+10 ~ +30 Vdc
Consumption	3.2 W (Max.)
Mechanical	
Dimensions (L x W x H)	127 mm x 33 mm x 99 mm
Installation	DIN-Rail Mounting
Environment	
Operating Temperature	-25 ~ +75°C
Storage Temperature	-30 ~ +80°C
Humidity	10 ~ 90% RH, Non-condensing

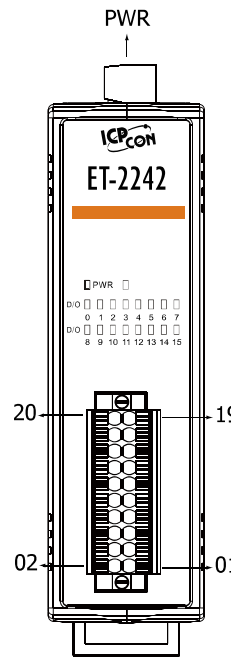
I/O Specifications



Digital Output	
Channels	16
Type	Open Collector
Sink/Source (NPN/PNP)	Sink
Load Voltage	+3.5 V ~ +50 V PASS
Max. Load Current	650 mA/Channel PASS
Overload Protection	1.4 A (with short-circuit protection)
Overvoltage Protection	+ 60 VDC

Wire Connections

Output Type	ON State Readback as 1	OFF State Readback as 0
Drive Relay		
Resistance Load		

Pin Assignments



Terminal No.	Pin Assignment
	F.G.
PWR	GND
	+ Vs
ETH1	
ETH2	





Pin Assignment	Terminal	No.	Pin Assignment
DO7	20	19	DO15
DO6	18	17	DO14
DO5	16	15	DO13
DO4	14	13	DO12
DO3	12	11	DO11
DO2	10	09	DO10
DO1	08	07	DO9
DO0	06	05	DO8
E.PWR	04	03	E.PWR
E.GND	02	01	E.GND

20-pin Connector

Ordering Information

ET-2242 CR	Ethernet I/O Module with 2-port Ethernet Switch, 16-ch Open Collector Digital Output (RoHS)
-------------------	---

Related Products

 NS-205 CR	Unmanaged 5-Port Industrial Ethernet Switch with Power Input +10 ~ +30 VDC (RoHS)
 NS-208 CR	Unmanaged 8-port Industrial 10/100 Base-TX Ethernet Switch with Power Input +10 ~ +30 Vdc (RoHS)
 DIN-KA52F CR	24 V/1.04 A, 25 W Power Supply with DIN-Rail Mounting (RoHS)
 GPSU06U-6	24 V/0.25 A (max.) Power Supply