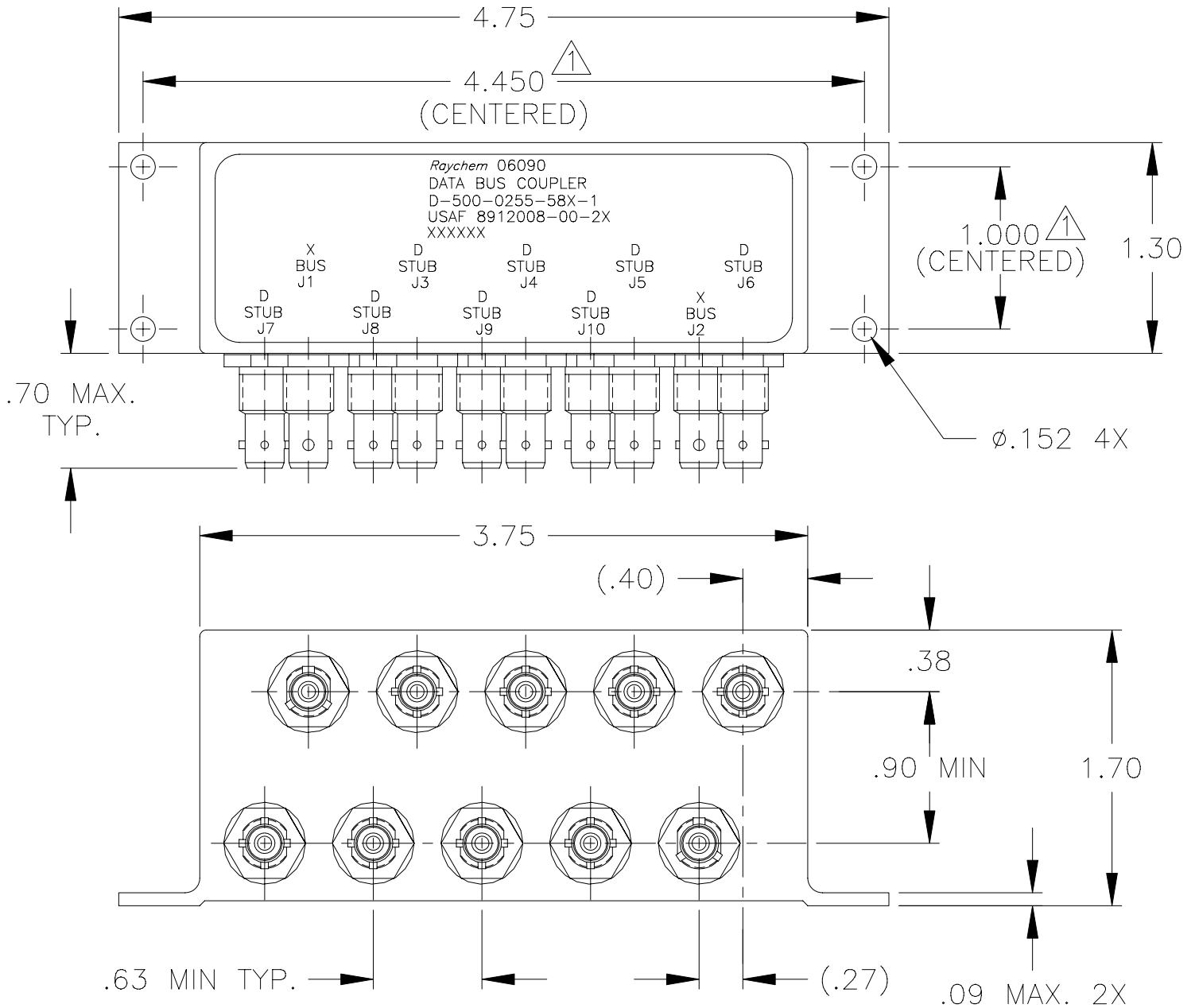


REVISIONS			
LTR	DESCRIPTION	DATE	APPROVED
N/C	INITIAL RELEASE PER ECN# T-16396	91JUL08	Z.T.
A	REVISED PER ECN T-20030		

NOTES:

△ HOLE PATTERN MACHINED SYMMETRIC WITHIN MOUNTING FLANGE.



SPECIFICATION CONTROL DRAWING

If this document is printed it becomes uncontrolled. Check for the latest revision.

UNLESS OTHERWISE SPECIFIED DIMENSIONS ARE IN INCHES. METRIC DIMENSIONS ARE IN BRACKETS.

DECIMALS
 .XXX ± .010 [— mm]
 .XX ± .03 [— mm]

ANGLES
 .X ± —

WEIGHT
 264GRAMS MAX.

DRAWN	J.B.K.	91 JUN 14
CHECKED		
APPROVED		
APPROVED	Z.TEMAN	91 JUL 08
CAD NAME	009094-1.DWG	
THIRD ANGLE PROJECTION		

		Tyco Electronics Corporation 300 Constitution Drive Menlo Park, CA. 94025 U.S.A.			
TITLE					
8 STUB DATA BUS BAYONET COUPLER WITH TRIAXIAL CONNECTORS					
SIZE	CODE IDENT. NO.	DWG. NO.	REV		
A	06090	D-500-0255-58X-1	A		
DO NOT SCALE THIS DRAWING			SHEET 1 OF 2		

1.0 INTERMATEABILITY

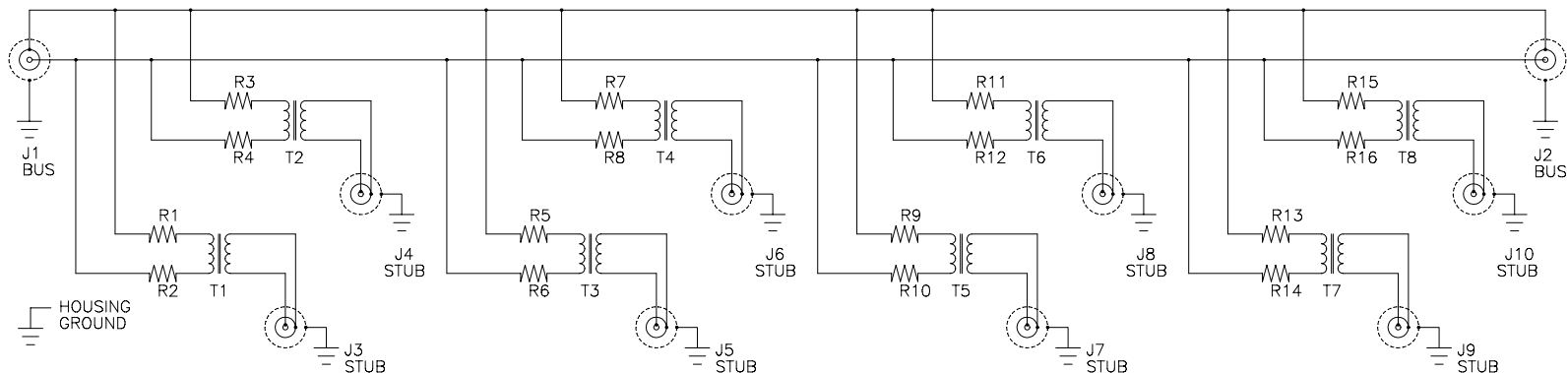
CONNECTOR BOX JACK	MATING PLUG	KEY ("X")
DK-621-0434-1S (8912004-00-05)	DK-621-0433-1P (8912003-00-01)	A
DK-621-0436-2S (8912004-00-06)	DK-621-0435-2P (8912003-00-02)	B
DK-621-0438-3S (8912004-00-07)	DK-621-0437-3P (8912003-00-03)	C
DK-621-0440-4P (8912004-00-04)	DK-621-0439-4S (8912003-00-08)	D

2.0 PERFORMANCE

- 2.1 THIS COUPLER IS DESIGNED TO MEET THE APPLICABLE FUNCTIONAL REQUIREMENT OF RAYCHEM SPECIFICATION D-6021 AND USAF 8912008.
- 2.2 THE COUPLER SHALL OPERATE UNDER ANY OF THE ENVIRONMENTAL SERVICE CONDITIONS AS SPECIFIED IN MIL-E-5400, CLASS ∇ UPGRADED TO 125°C CONTINUOUS OPERATION.
- 2.3 ALTITUDE: SEA LEVEL TO 75,000 FEET
- 3.0

CONNECTOR D-500-0255	BUS JACKS J1 AND J2	STUB JACKS J3 THRU J10
-583-1 (8912008-00-22)	DK-621-0434-1S "A" (8912004-00-01)	DK-621-0440-4P "D" (8912004-00-08)
-585-1 (8912008-00-23)	DK-621-0436-2S "B" (8912004-00-02)	DK-621-0440-4P "D" (8912004-00-08)
-587-1 (8912008-00-24)	DK-621-0438-3S "C" (8912004-00-03)	DK-621-0440-4P "D" (8912004-00-08)

SCHEMATIC DIAGRAM



If this document is printed it becomes uncontrolled.
Check for the latest revision.

CAD NAME: 009094-2	DRAWN	J.B.K.	91 JUN 12	SIZE	CODE IDENT. NO.	DWG. NO.
	ISSUED			A	06090	D-500-0255-58X-1
DO NOT SCALE THIS DRAWING						SHEET 2 OF 2