

REVISIONS

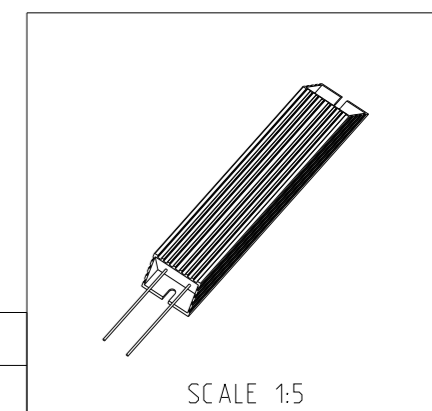
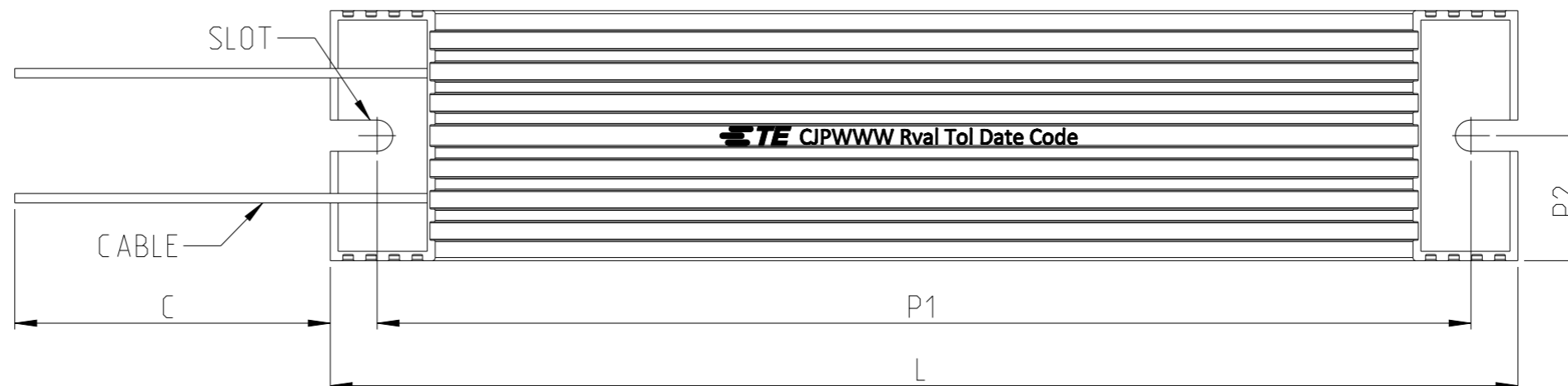
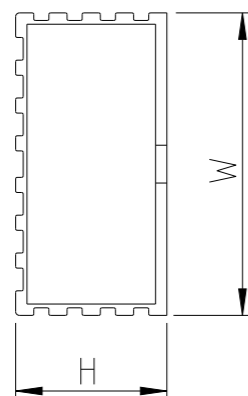
NOTE:

- 1 MOUNTING: 2x SLOT 5x10mm
- 2 TERMINATION CABLES: UL APPROVED FEP CABLES FOR THE TERMINATIONS, BASED ON THE RESISTOR CURRENT RATING (SEE CHART BELOW) WITH E5 RING TERMINALS

CURRENT RATING	CABLE SIZE USED
≤15A	16 AWG
>15A & ≤25A	14 AWG
>25A & ≤35A	12 AWG

- 3 FOR FURTHER INFORMATION SEE DATA SHEET FOR CJP SERIES OF ALUMINIUM HOUSED RESISTOR

P	LTR	DESCRIPTION	DATE	DWN	APVD
	A	INITIAL DRAWING RELEASE	27MAY2022	KS	AP



PART NUMBER	L	W	H	C	P1	P2
CJP120	190	40	20	290	175	20

THIS DRAWING IS A CONTROLLED DOCUMENT.		DWN KARTHIK S 27MAY2022			NAME ALUMINIUM ENCLOSED RESISTOR CJP120 SERIES	
DIMENSIONS: mm		CHK ALLAN P 27MAY2022				
TOLERANCES UNLESS OTHERWISE SPECIFIED:		APVD ALLAN P 27MAY2022				
		PRODUCT SPEC -	APPLICATION SPEC -		RESTRICTED TO -	
MATERIAL -		FINISH -	WEIGHT -	SIZE A3	CAGE CODE 00779	DRAWING NO C=2176505
CUSTOMER DRAWING			SCALE 1:1	SHEET 1 OF 2	REV A	

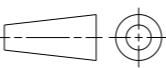
REVISIONS

P	LTR	DESCRIPTION	DATE	DWN	APVD
-		SEE SHEET 1	-	-	-

SCHEDULE

TCPN	PRODUCT NUMBER	MATERIAL DESCRIPTION	PART STATUS
2176505-1	C JP120J6R8J	C JP 120W 6R8 5% LEAD	PRODUCTION
2176505-2	C JP120J8R2J	C JP 120W 8R2 5% LEAD	PRODUCTION
2176505-3	C JP120J10RJ	C JP 120W 10R 5% LEAD	PRODUCTION
2176505-4	C JP120J12RJ	C JP 120W 12R 5% LEAD	PRODUCTION
2176505-5	C JP120J15RJ	C JP 120W 15R 5% LEAD	PRODUCTION
2176505-6	C JP120J18RJ	C JP 120W 18R 5% LEAD	PRODUCTION
2176505-7	C JP120J22RJ	C JP 120W 22R 5% LEAD	PRODUCTION
2176505-8	C JP120J27RJ	C JP 120W 27R 5% LEAD	PRODUCTION
2176505-9	C JP120J33RJ	C JP 120W 33R 5% LEAD	PRODUCTION
1-2176505-0	C JP120J39RJ	C JP 120W 39R 5% LEAD	PRODUCTION
1-2176505-1	C JP120J47RJ	C JP 120W 47R 5% LEAD	PRODUCTION
1-2176505-2	C JP120J56RJ	C JP 120W 56R 5% LEAD	PRODUCTION
1-2176505-3	C JP120J68RJ	C JP 120W 68R 5% LEAD	PRODUCTION
1-2176505-4	C JP120J82RJ	C JP 120W 82R 5% LEAD	PRODUCTION
1-2176505-5	C JP120J100RJ	C JP 120W 100R 5% LEAD	PRODUCTION
1-2176505-6	C JP120J120RJ	C JP 120W 120R 5% LEAD	PRODUCTION
1-2176505-7	C JP120J150RJ	C JP 120W 150R 5% LEAD	PRODUCTION
1-2176505-8	C JP120J180RJ	C JP 120W 180R 5% LEAD	PRODUCTION
1-2176505-9	C JP120J220RJ	C JP 120W 220R 5% LEAD	PRODUCTION
2-2176505-0	C JP120J270RJ	C JP 120W 270R 5% LEAD	PRODUCTION
2-2176505-1	C JP120J330RJ	C JP 120W 330R 5% LEAD	PRODUCTION
2-2176505-2	C JP120J390RJ	C JP 120W 390R 5% LEAD	PRODUCTION
2-2176505-3	C JP120J470RJ	C JP 120W 470R 5% LEAD	PRODUCTION
2-2176505-4	C JP120J560RJ	C JP 120W 560R 5% LEAD	PRODUCTION
2-2176505-5	C JP120J680RJ	C JP 120W 680R 5% LEAD	PRODUCTION
2-2176505-6	C JP120J820RJ	C JP 120W 820R 5% LEAD	PRODUCTION
2-2176505-7	C JP120J1K0J	C JP 120W 1K0 5% LEAD	PRODUCTION

THIS DRAWING IS A CONTROLLED DOCUMENT.

DIMENSIONS: mm	
	
MATERIAL -	

TOLERANCES UNLESS OTHERWISE SPECIFIED:	
0 PLC	±
1 PLC	±0.5
2 PLC	±0.13
3 PLC	±0.013
4 PLC	±0.0001
ANGLES	±
FINISH -	

DWN	KARTHIK S	27MAY2022
CHK	ALLAN P	27MAY2022
APVD	ALLAN P	27MAY2022
PRODUCT SPEC	-	
APPLICATION SPEC	-	
WEIGHT	-	
CUSTOMER DRAWING		

TE TE Connectivity

NAME
ALUMINIUM ENCLOSED RESISTOR
CJP120 SERIES

SIZE	CAGE CODE	DRAWING NO	RESTRICTED TO
A3	00779	©=2176505	-

SCALE 1:1 SHEET 2 OF 2 REV A