

PERFECT cable gland

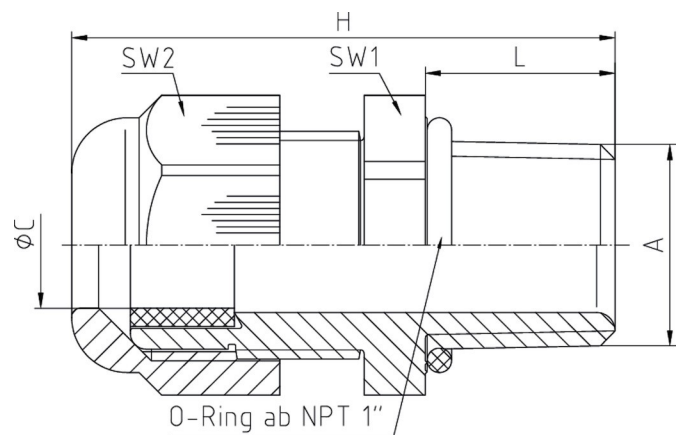
50.1xx PAzzzz

Dome nut	Polyamide PA6 V-2
Sealing ring	Polychloroprene-Nitrile rubber CR/NBR
Gland body	Polyamide PA6 V-2
Connecting thread	NPT



Properties

	<ul style="list-style-type: none"> integrated anchorage wide sealing and clamping range easy-to-install UV- and weather resistance according UL 514B
Temperature range	-20 °C / +100 °C (dynamic) -40 °C (static, short term)
Protection grade	IP68 5 bar
Test standard	UL 514B
UL / CSA-File	E140310
Comment	details about test results - see annex



Features



RAL 9005


Connecting thread standard length

A	ØC	L	SW1	SW2	H	VPE	Part No.
NPT 1/4"	4 - 8	9	19	19	35	100	50.11409PA/SW*
NPT 3/8"	5 - 10	15	22	22	44,5	100	50.138 PA/SW
NPT 1/2"	6 - 12	14,5	24	24	45	100	50.11213PA/SW
NPT 1/2"	10 - 14	15	27	27	47,5	100	50.112 PA/SW
NPT 3/4"	14 - 18	15	33	33	52	50	50.134 PA/SW
NPT 1"	19 - 25	18	42	42	60,5	25	50.110 PA/SW
NPT 1 1/4"	22 - 32	18	53	53	69,5	10	50.114 PA/SW



RAL 7035


Connecting thread standard length

A	ØC	L	SW1	SW2	H	 VPE	Part No.
NPT 3/8"	5 - 10	15	22	22	44,5	100	50.138 PA7035
NPT 1/2"	6 - 12	14,5	24	24	45	100	50.11213 PA7035
NPT 1/2"	10 - 14	15	27	27	47,5	100	50.112PA7035
NPT 3/4"	14 - 18	15	33	33	52	50	50.134PA7035
NPT 1"	19 - 25	18	42	42	60,5	25	50.110 PA7035
NPT 1 1/4"	22 - 32	18	53	53	69,5	10	50.114 PA7035



RAL 7001

Connecting thread standard length

A	ØC	L	SW1	SW2	H	 VPE	Part No.
NPT 3/8"	5 - 10	15	22	22	44,5	100	50.138 PA
NPT 1/2"	6 - 12	14,5	24	24	45	100	50.11213 PA
NPT 1/2"	10 - 14	15	27	27	47,5	100	50.112 PA
NPT 3/4"	14 - 18	15	33	33	52	50	50.134 PA
NPT 1"	19 - 25	18	42	42	60,5	25	50.110 PA
NPT 1 1/4"	22 - 32	18	53	53	69,5	10	50.114 PA

* Part number is not covered by UL / CSA-File E140310.